

NOTICE TO PERSONS RECEIVING THIS DRAWING  
 THE TECHNICAL MATERIEL CORPORATION claims proprietary right in the material disclosed hereon. This drawing is issued in confidence for engineering information only and may not be reproduced or used to manufacture anything shown hereon without permission from THE TECHNICAL MATERIEL CORPORATION to the user. This drawing is loaned for mutual assistance and is subject to recall at any time.

SCALE 1:1  
 SHEET OF  
 DWG NO. CU173  
 CODE IDENT. NO. 82679  
 SIZE A  
 ISSUE

FINISH	
MATERIAL	
MECH. DES.	DATE
ELECT. DES.	DATE
CHECKED	DATE
DRAWN	DATE

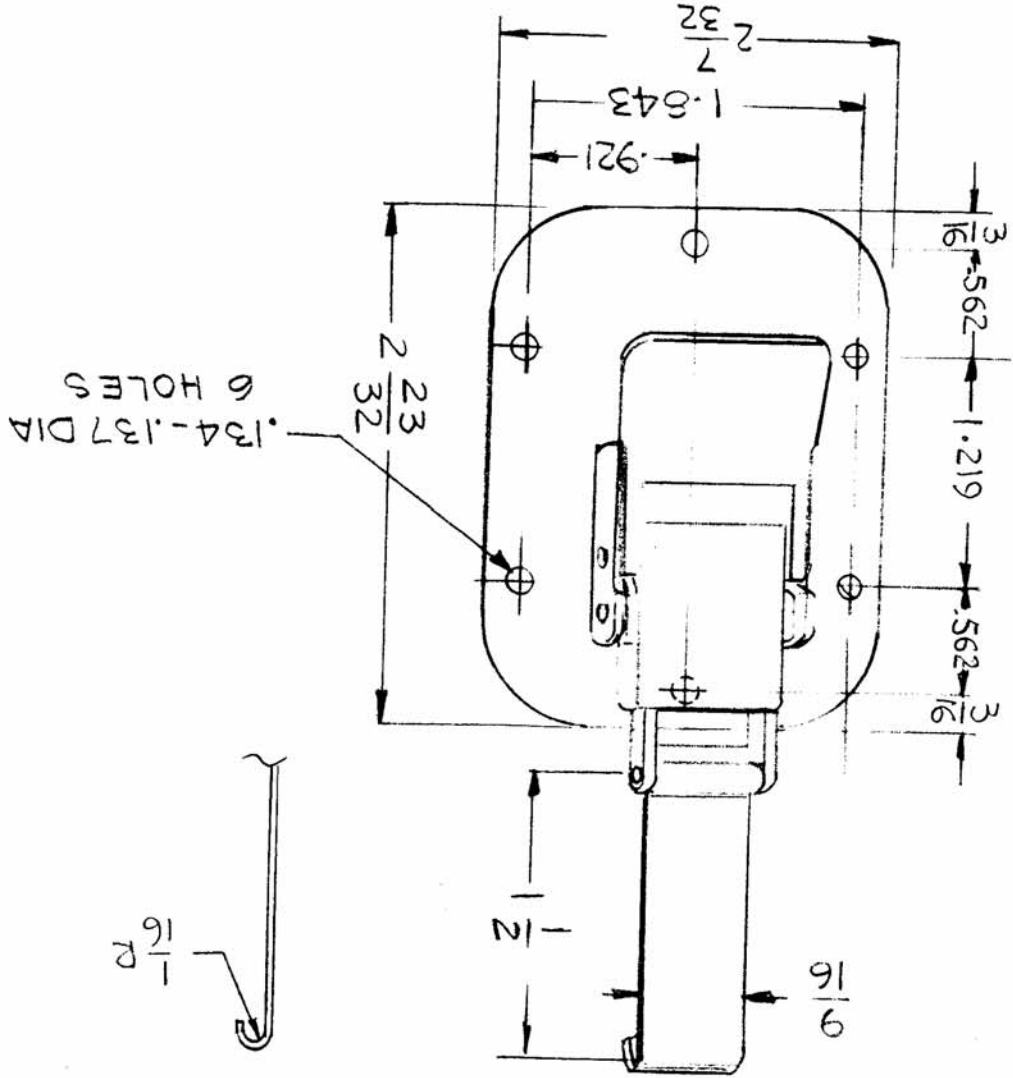
CLAMP, CASE  
 THE TECHNICAL MATERIEL CORP.  
 MAMARONECK, NEW YORK

DECIMALS	X ± .05
FRACTIONS	1/64
TOLS.	.XX ± .01
ANGLES	30°
PLATED FINISHES	
CHEMICALLY APPLIED	
UNLESS OTHERWISE SPECIFIED	

LIST OF MATERIAL

REQ'D ITEM	PART NUMBER	DESCRIPTION	SYM.
------------	-------------	-------------	------

REF - NIELSEN H'WARE NO. SC-B-83314-6



APPLICATION		REVISIONS							
QTY	MODEL USED ON	ASS'Y NO.	LTR	DESCRIPTION	DATE	E.M.N. NO.	DRAFT	CHKD	APPD*
4	CW108			EXP. RELEASE	1-10-77				*