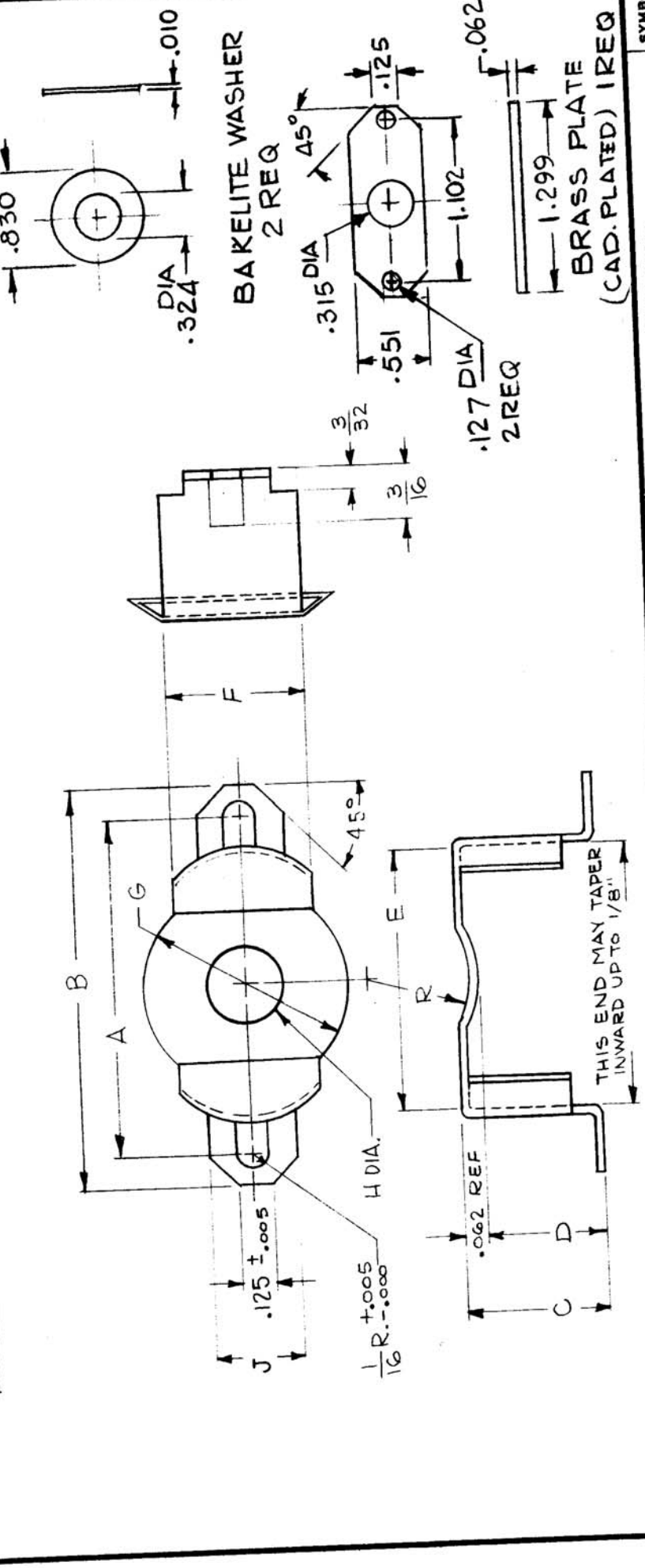


USED ON
 ASSY. NO. **VLR-1**
 MODEL **5-29-63**
 DATE **5-29-63**
CU 148
A

REQ. PER UNIT	1
DATE	5-29-63
ASSY. NO.	VLR-1
MODEL	5-29-63

REQ. PER UNIT	1
DATE	5-29-63
ASSY. NO.	VLR-1
MODEL	5-29-63

THE CONTENTS OF THIS DRAWING ARE THE EXCLUSIVE PROPERTY OF THE TECHNICAL MATERIEL CORP. ITS UNAUTHORIZED USE FOR REPRODUCTION IN WHOLE OR IN PART IS STRICTLY FORBIDDEN.



REQ. ITEM	4	REQ. ITEM	4
PART NO.	4	PART NO.	4
STOCK SIZE	NICKEL SILVER	STOCK SIZE	NICKEL SILVER
MATERIAL	NICKEL SILVER	MATERIAL	NICKEL SILVER
TYPE & TEMPER	4	TYPE & TEMPER	4
HEAT TREAT. SPEC.	4	HEAT TREAT. SPEC.	4
CHECKER	G. J. [Signature]	CHECKER	G. J. [Signature]
ENG. APP.	[Signature]	ENG. APP.	[Signature]
SCALE	DO NOT SCALE	SCALE	DO NOT SCALE
DESCRIPTION	ADDED BAKELITE WASHERS BRASS PLATE PICTORIAL ORIGINAL RELEASE FOR PRODUCTION TYPE (2213) ADDED TO 5401-118	DESCRIPTION	ADDED BAKELITE WASHERS BRASS PLATE PICTORIAL ORIGINAL RELEASE FOR PRODUCTION TYPE (2213) ADDED TO 5401-118
UNLESS OTHERWISE SPECIFIED DIMENSIONS ARE IN INCHES AND INCLUDE CHEMICALLY APPLIED OR PLATED FINISHES		UNLESS OTHERWISE SPECIFIED DIMENSIONS ARE IN INCHES AND INCLUDE CHEMICALLY APPLIED OR PLATED FINISHES	
FRACTIONS ± 1/64 ANGLES ± 0° 30'		FRACTIONS ± 1/64 ANGLES ± 0° 30'	
TOLERANCES		TOLERANCES	
DECIMALS .X ± .05 .XX ± .01 .XXX ± .005		DECIMALS .X ± .05 .XX ± .01 .XXX ± .005	
CODE	S401-118 (2213H)	CODE	S401-118 (2213H)
DATE	12/19/63	DATE	12/19/63
CH. NO.	1	CH. NO.	1
DRAFTS	[Signature]	DRAFTS	[Signature]
CHECKER	[Signature]	CHECKER	[Signature]
ENG. APP.	[Signature]	ENG. APP.	[Signature]
SYMBOL		SYMBOL	
DESCRIPTION	BAKELITE WASHER 2 REQ	DESCRIPTION	BAKELITE WASHER 2 REQ
M. GELLMAN		M. GELLMAN	
THE TECHNICAL MATERIEL CORP. MAMARONECK, N.Y.		THE TECHNICAL MATERIEL CORP. MAMARONECK, N.Y.	
RETAINER, CUP CORE		RETAINER, CUP CORE	
BRASS PLATE (CAD. PLATED) 1 REQ		BRASS PLATE (CAD. PLATED) 1 REQ	
FINAL APPROVAL	[Signature]	FINAL APPROVAL	[Signature]
CHECKED	[Signature]	CHECKED	[Signature]
DRAWN	[Signature]	DRAWN	[Signature]
ELEC. DES. APP.	[Signature]	ELEC. DES. APP.	[Signature]
MECH. DES. APP.	[Signature]	MECH. DES. APP.	[Signature]
CU 148		CU 148	
A		A	