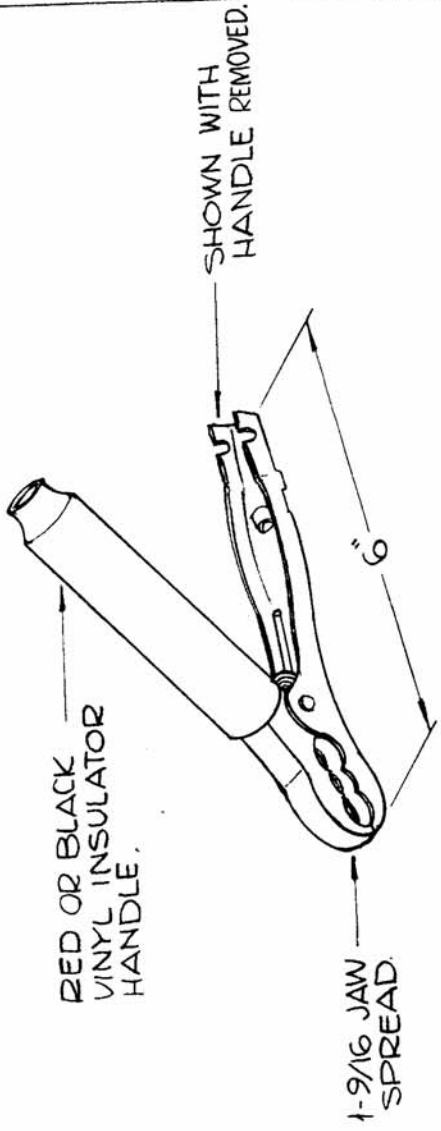


CU-146 0

REQ. PER UNIT	USED ON	DATE
1	ASBY. NO.	12-10-63
	MODEL	
	GPT-200K	A-1990

SPECIFICATION
200 AMP.



REF: MUELER ELECTRIC C
NO. 41-C

REQ. ITEM	PART NO.	DESCRIPTION	SYMBOL
		F. BUDETTI	
		THE TECHNICAL MATERIEL CORP. MAMARONECK. NEW YORK	
		HIPPO-CLIP	
		SOLD COPPER	
		MATERIAL	
		TYPE & TEMPER	
		HEAT TREAT. SPEC.	
		FINISH & SPEC. NO.	
		ELEC. DES. APP.	
		MECH. DES. APP.	
		CHECKED	
		DRAWN	
		FINAL APPROVAL	
			CU-146 0

UNLESS OTHERWISE SPECIFIED
DIMENSIONS ARE IN INCHES AND INCLUDE
CHEMICALLY APPLIED OR PLATED FINISHES

DECIMALS
X ± .05
.XX ± .01
.XXX ± .005

FRACTIONS
± 1/64
ANGLES
± 0° 30'

DATE 5.16.64

CH. NO. AB

DRAFTS CHECKER

ENG. APP.

SCALE

CODE