

TMC PART NO.	MAUFACTURER'S PART NO.	FIG	A	B ±1/32	C°	D	E°	F	G°	REMARKS
CU-141-1	164F9-183D	1	1.375	29/32	30	3/4	210	10MS	243	
CU-141-2	164GA2-803T	1	2.500	1 3/4	29	1 3/4	209	10MS	245	1/8 OFFSET BRACKET
CU-141-3	164GA3-803T	1	2.500	1 3/4	29	1 3/4	209	10MS	245	1/8 OFFSET BRACKET OPEN END

REVISIONS					
SYM	DESCRIPTION	DATE	E.M.N. NO.	DRAFT	CHKD APPD
A	CU-141-3 ADDED	6-26-63	9375	<i>(Signature)</i>	<i>(Signature)</i>

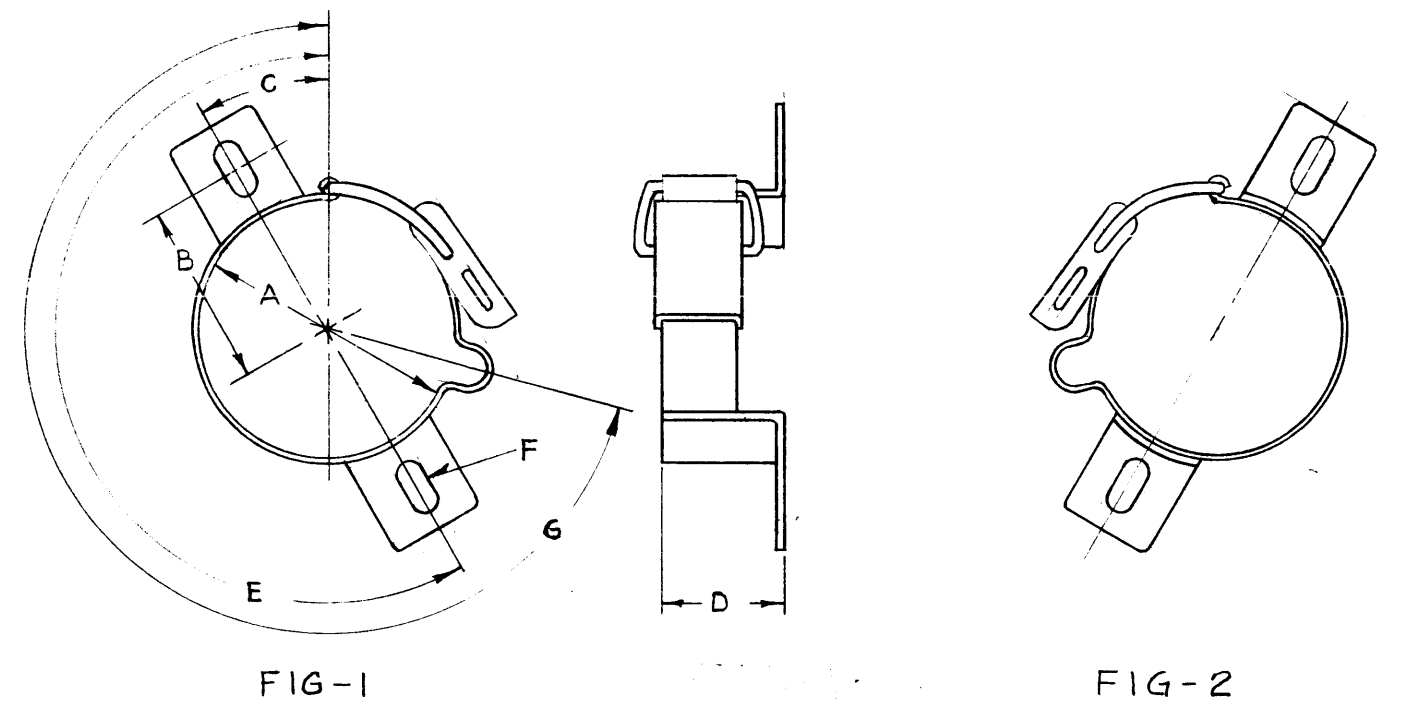
NOTICE TO PERSONS RECEIVING THIS DRAWING

THE TECHNICAL MATERIEL CORP. CLAIMS PROPRIETARY RIGHT IN THE MATERIAL DISCLOSED HEREON. THIS DRAWING IS ISSUED IN CONFIDENCE FOR ENGINEERING INFORMATION ONLY AND MAY NOT BE REPRODUCED OR USED TO MANUFACTURE ANYTHING SHOWN HEREON WITHOUT PERMISSION FROM THE TECHNICAL MATERIEL CORPORATION TO THE USER. THIS DRAWING IS LOANED FOR MUTUAL ASSISTANCE AND IS SUBJECT TO RECALL AT ANY TIME.

Property of:
THE TECHNICAL MATERIEL CORPORATION
 MAMARONECK, NEW YORK

- MATERIAL - 18% NICKEL SILVER
- BAND - .020 THK - SPRING TEMPER
- BRACKET - .032 THK - 1/4 HARD
- LEVER - .032 THK - 1/4 HARD
- SPRING - .061 RD - SPRING TEMPER
- PIN - .062 RD - FULL HARD

FINISH - NITRIC ACID DIP IMMUNIZATION
 TOLERANCE - UNLESS OTHERWISE SPECIFIED ±1/64 ±5°



1 EA	TRX-1	
Q'TY./UNIT	MODEL USED ON	ASS'Y. NO.
SCALE	CODE	S-401-105

NOTES

THE CONTENTS OF THIS DRAWING ARE THE EXCLUSIVE PROPERTY OF THE TECHNICAL MATERIEL CORP. ITS UNAUTHORIZED USE OR REPRODUCTION IN WHOLE OR IN PART IS STRICTLY FORBIDDEN.

REQ'D.	ITEM	PART NUMBER	DESCRIPTION	SYMBOL
LIST OF MATERIAL				
MATERIAL		THE TECHNICAL MATERIEL CORP. STRUMER MAMARONECK, NEW YORK		
FINISH		TITLE CLAMP, CAPACITOR, MOUNTING		
UNLESS OTHERWISE SPECIFIED DIMENSIONS ARE IN INCHES AND INCLUDE CHEMICALLY APPLIED OR PLATED FINISHES		DRAWN T. RAMIREZ	DATE 8/27/62	FINAL APPROVAL <i>(Signature)</i>
		CHECKED <i>(Signature)</i>	DATE 7/9/63	
		ELECT. DES. <i>(Signature)</i>	DATE 4-15-63	CU-141
		MECH. DES. <i>(Signature)</i>	DATE 4-9-63	A
DECIMALS .X ± .05 .XX ± .01 .XXX ± .005				FRACTIONS ± 1/64 ANGLES ± 0° 30'
TOLERANCES				SHEET
				REV. LTR.