

DIRABLE TO CHANGE ANY TOLERANCE SPECIFIED ON THIS DRAWING NOTIFY PROMPTLY.

ABLE TOLERANCES HAVE BEEN DETERMINED. VIATIONS WILL BE CAUSE FOR REJECTION. REMOVE ALL BURRS AND SHARP EDGES

CU-115

USED ON

ASSY. NO. DATE

A-799 6-21-54

REQ. PER UNIT

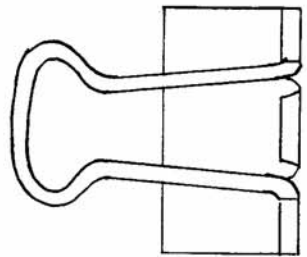
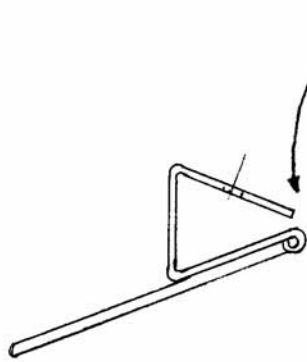
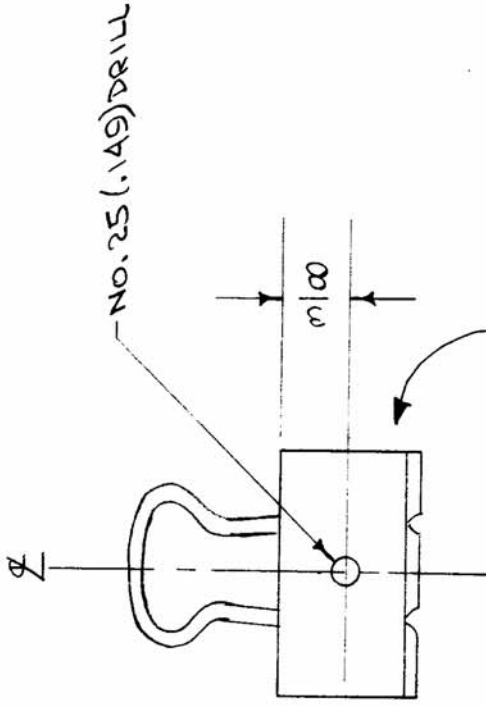
1

PROJECT NO.

311

MODEL

CTAC



USE - CU-114

REMOVE 1 HANDLE & CUT AWAY METAL ROLL AS SHOWN

DRILL AS SHOWN

REF: CU-114

REQ. ITEM	PART NO.	DESCRIPTION	SYMBOL
		THE TECHNICAL MATERIEL CORP. MAMARONECK, NEW YORK	
		BINDER CLIP	
		MODIFIED	
		CD. 6-21-54	WSE
		DRAWN	ELEC. DES. APP.
		CHECKED	MECH. DES. APP.
		TYPE & TEMPER	
		HEAT TREAT. SPEC.	
		FINISH & SPEC. NO.	
		SCALE	
		DATE	
		CN. NO.	
		DRAFTS	
		CHECKER	
		ENG. APP.	
		TOLERANCES	
		DEC. DIM. ±	
		FRAC. DIM. ±	
		ANGULAR DIM. ±	
		DRILL, PUNCH, COMMERCIAL STOCK SIZES AND MANUFACTURERS TOLERANCES ARE NOT INCLUDED.	
		FINAL APPROVAL	
		CU-115	