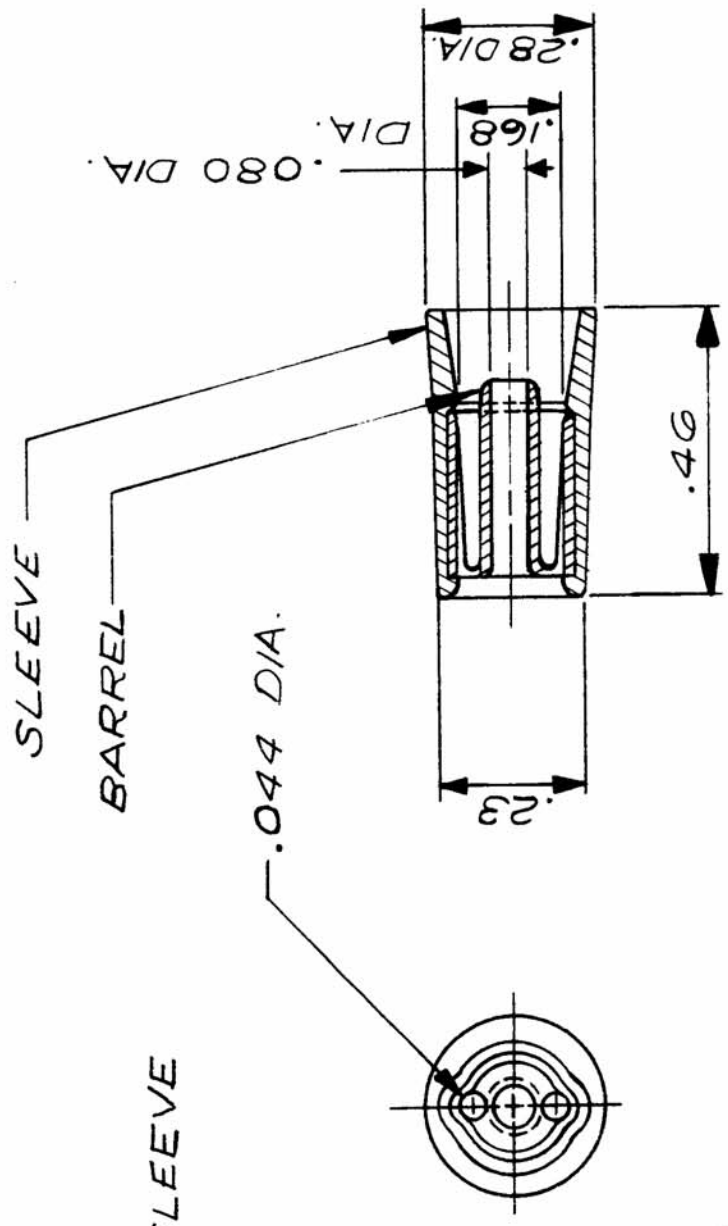


CU 10016

ISSUE	ITEM	CHANGED FROM	DATE	CN. NO.	DRAFTS	CHECKER	END. APP.	REQ.	ITEM	PART NO.	DESCRIPTION	SYMBOL
Ø		REL TO PROD	JULY 11/68		AP		<i>[Signature]</i>					



NOTE -  
 COLOUR-BLUE } SLEEVE  
 MAT'L - NYLON }

# STANDARD DRAWING

MEGR. - S401-22G  
 PART NO. - YEC110

MODEL		PROJECT NO.	ASSY. NO.	DATE	TMC (Canada) LIMITED OTTAWA ONTARIO	
MAXIMUM ALLOWABLE TOLERANCES HAVE BEEN DETERMINED AND DEVIATIONS WILL BE CAUSE FOR REJECTION. REMOVE ALL BURRS AND SHARP EDGES		IF IT IS FOUND DESIRABLE TO CHANGE ANY TOLERANCE OR OTHER DETAIL SPECIFIED ON THIS DRAWING NOTIFY THE PURCHASER PROMPTLY.			FERRULE, INSULATED	
TOLERANCES		SCALE N.T.S.			DRAWN	
DEC. DIM. ±	DIMENSIONS IN INCHES UNLESS OTHERWISE SPECIFIED	USED ON			AP	
FRAC. DIM. ±	DRILL, PUNCH, COMMERCIAL STOCK SIZES AND MANUFACTURERS TOLERANCES ARE NOT INCLUDED.	MATERIAL			ELEC. DES. APP.	
ANGULAR DIM. ±		TYPE & TEMPER			MECH. DES. APP.	
ALL OTHERS		HEAT TREAT. SPEC.			CHECKED	
		FINISH & SPEC. NO.			EPC	
					FINAL APPROVAL	
					<i>[Signature]</i>	
					CU10016 Ø	