

STANDARD DRAWING

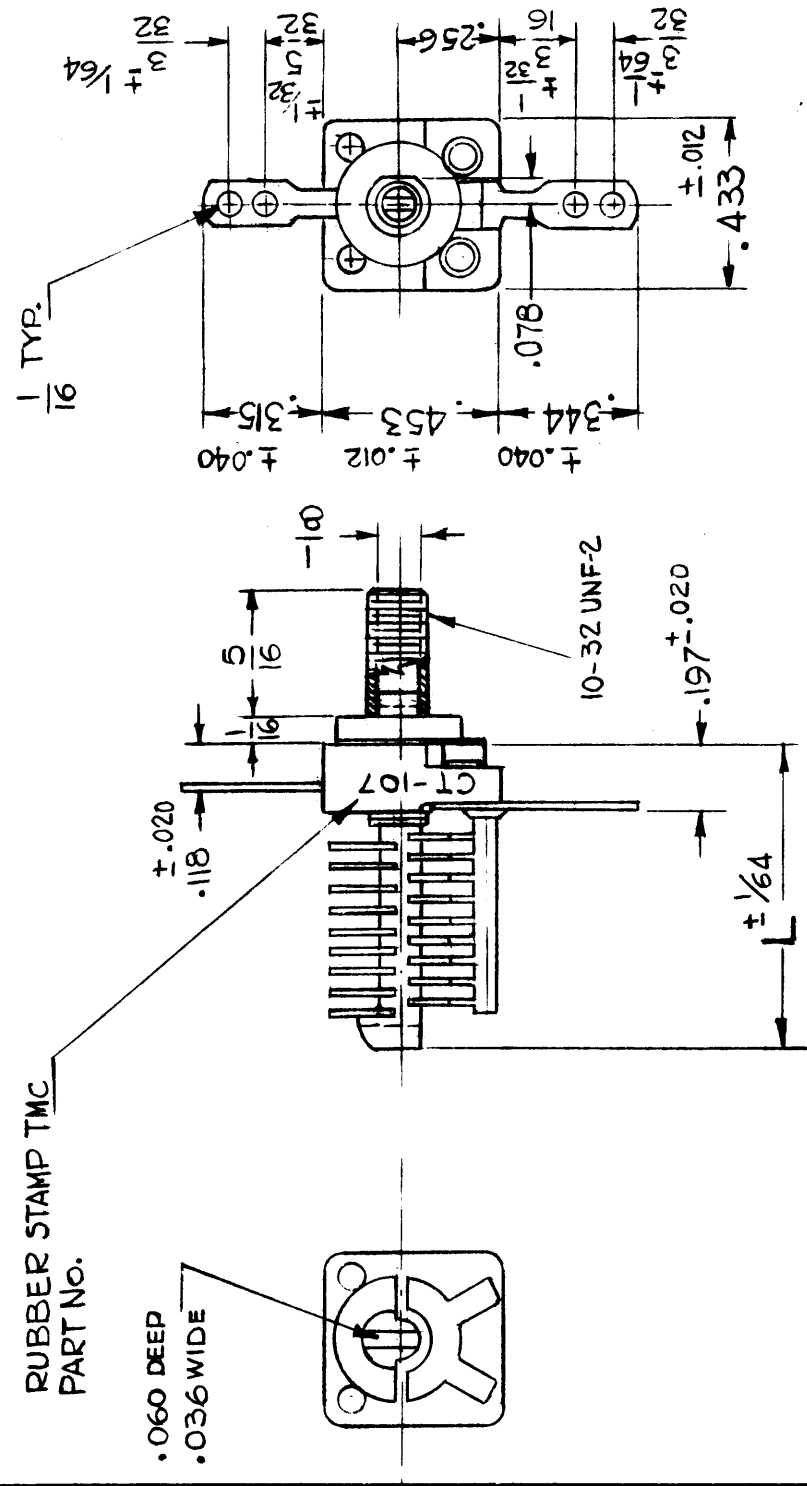
TMC PART NO.	MFR'S NO.	MFR'S TYPE	NOMINAL CAPACITY		TOTAL PLATES	DIMENSION L
			MIN.	MAX.		
CT-107-1	189-6-173	13U8	1.8	13	14	11/16"
CT-107-2	189-8-173	17U8	2.2	17	18	25/32"

CT-107

SYM	DESCRIPTION	REVISIONS			
		DATE	E.M.N. NO.	DRAFT	CHKD
Ø	ORIGINAL RELEASE FOR PRODUCTION	8.13.64	+	AB	

SPECIFICATIONS
 TYPE: PLATE MESHING
 ROTOR PLATES: STANDARD
 QUANT. OF SECTION: 1
 QUANT. OF TUNING SHAFT: 1
 SECTION DATA: SINGLE SECTION, SLC, (FOR CAPACITANCE SEE TABLE)
 TEST VOLTAGE: 500 V PEAK, 60 CPS

PLATE DATA:
 MATERIAL: BRASS, QUANTITY OF PLATES AS SHOWN ON CHART
 FINISH: SILVER PLATE
 ADJUSTMENT: SCREWDRIVER SLOT
 ROTATION: 180° FROM MIN. TO MAX. CAP. DIRECTION OPTIONAL
 INSULATION MATERIAL: STEATITE GRADE L4 OR BETTER D.C. #200 TREATED
 TORQUE: 2-1/2 OZ. IN. MIN. TO 10 OZ. IN. MAX.
 AIR GAP: .010" NOMINAL
TERMINAL DATA:
 QUANT: 2
 TYPE: SOLDER LUG
 MATERIAL: .010 BERYLLIUM COP. ROTOR CONTACT. AND .016 BRS. STATOR LUG.
 FINISH: SILVER PLATED
 HARDWARE SUPPLIED: 10-32 X 1/4 X 3/32 THICK. MTG. NUT
 MARKING: TMC NO. ON EDGE OF STEATITE AS SHOWN



QTY./UNIT	SCALE	MODEL USED ON	ASSY. NO.
NONE	NONE	C	S401-47

SBG-3

THE CONTENTS OF THIS DRAWING ARE THE EXCLUSIVE PROPERTY OF THE TECHNICAL MATERIEL CORP. ITS UNAUTHORIZED USE OR REPRODUCTION IN WHOLE OR IN PART IS STRICTLY FORBIDDEN.

NOTES

REQ'D.	ITEM	PART NUMBER	DESCRIPTION	SYMBOL
	J. ANGER		LIST OF MATERIAL	
	MATERIAL		THE TECHNICAL MATERIEL CORP. MAMARONECK, NEW YORK	
	FINISH		CAPACITOR, VARIABLE, AIR DIELECTRIC (TRIMMER)	
			DRAWN G.D.L.	
			CHECKED	
			ELECT. DES. J. Anger	
			MECH. DES.	
			DATE 1-20-63	
			DATE 8-13-64	
			DATE 3/25/64	
			DATE	
			CT-107	
			SHEET	
			REV. LTR.	