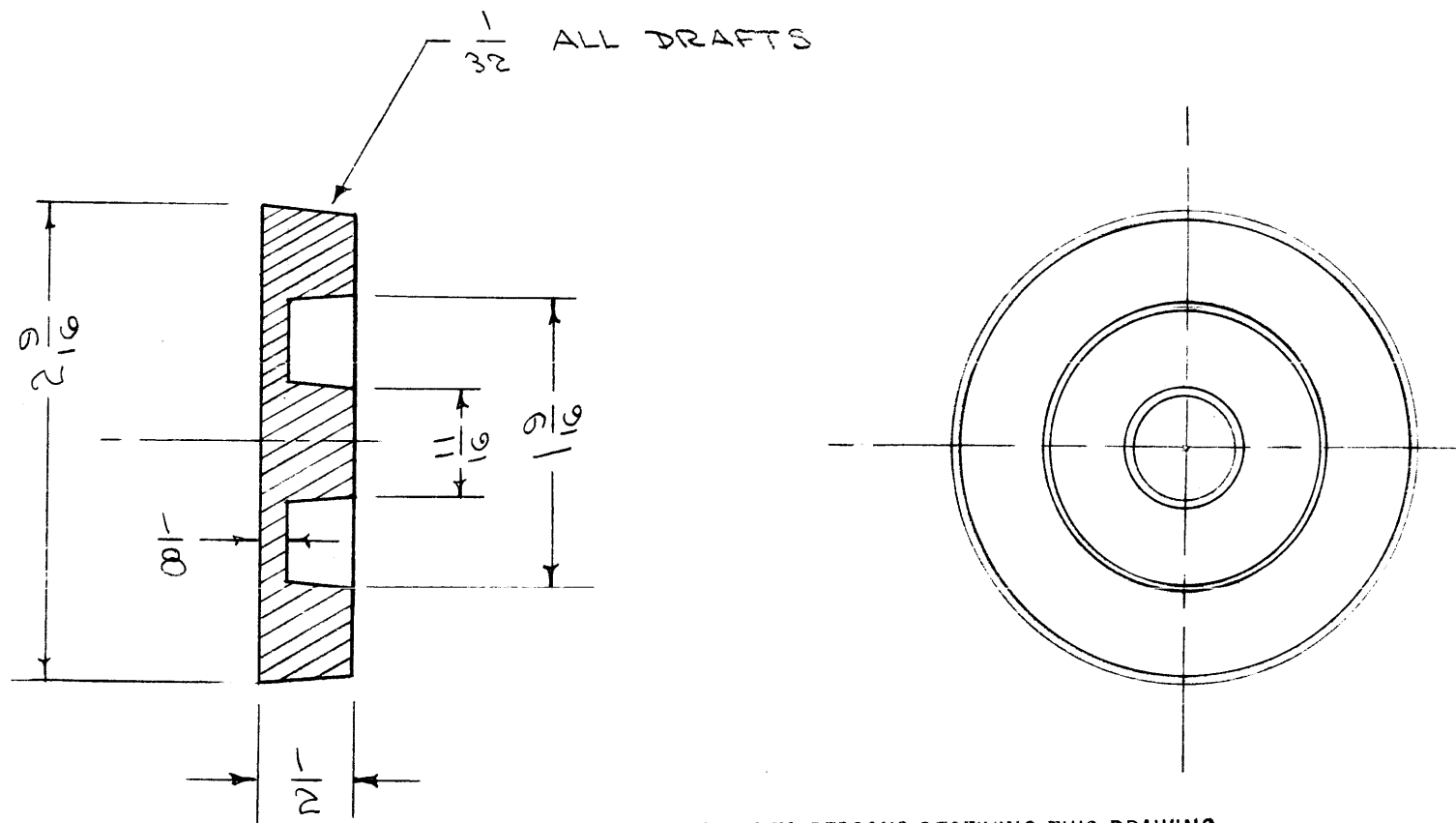


CS-121 B



NOTICE TO PERSONS RECEIVING THIS DRAWING

THE TECHNICAL MATERIEL CORPORATION claims proprietary right in the material disclosed herein. This drawing is issued in confidence for engineering information only and may not be reproduced or used to manufacture anything shown herein without permission from THE TECHNICAL MATERIEL CORPORATION to the user. This drawing is loaned for mutual assistance and is subject to recall at any time.

Property of:

THE TECHNICAL MATERIEL CORPORATION
MAMARONECK, NEW YORK

REF. DWG PM-416, PM-453

ISSUE	ITEM	CHANGED FROM	DATE	CH. NO.	DRAFTS	CHECKER	ENG. APP.
B	1	VOX-2 added	6/17/59	1119	JCB.	<i>[Signature]</i>	<i>[Signature]</i>
A	1	11/16 center was 9/16	7-17-57	1	SC	<i>[Signature]</i>	<i>[Signature]</i>

TOLERANCES: DEC. DIM. ±, FRAC. DIM. ± 1/64, ANGULAR DIM. ±

SCALE: MAXIMUM ALLOWABLE TOLERANCES HAVE BEEN DETERMINED AND ANY DEVIATIONS WILL BE CAUSE FOR REJECTION. REMOVE ALL BURRS AND SHARP EDGES

REQ. PER UNIT	MODEL	PROJECT NO.	ASS'Y. NO.	DATE
2	SBE-3		AP-100	11-30-59
1	VOX-2			6-17-59
2	SBE-1		PM-416, 453	7-17-57
2	GPR		PM-416	7-17-57
1	GSB-1	453	PM-416	3-24-56

USED ON

REQ. ITEM	PART NO.	DESCRIPTION	SYMBOL
		THE TECHNICAL MATERIEL CORP. MAMARONECK, NEW YORK	
STOCK SIZE		BRASS	CASTING, INERTIA WHEEL
MATERIAL			GSB-1
TYPE & TEMPER	HEAT TREAT. SPEC.	DRAWN	CHECKED
SAND-BLAST		<i>[Signature]</i>	<i>[Signature]</i>
FINISH & SPEC. NO.	ELEC. DES. APP.	MECH. DES. APP.	FINAL APPROVAL
			CS-121 B