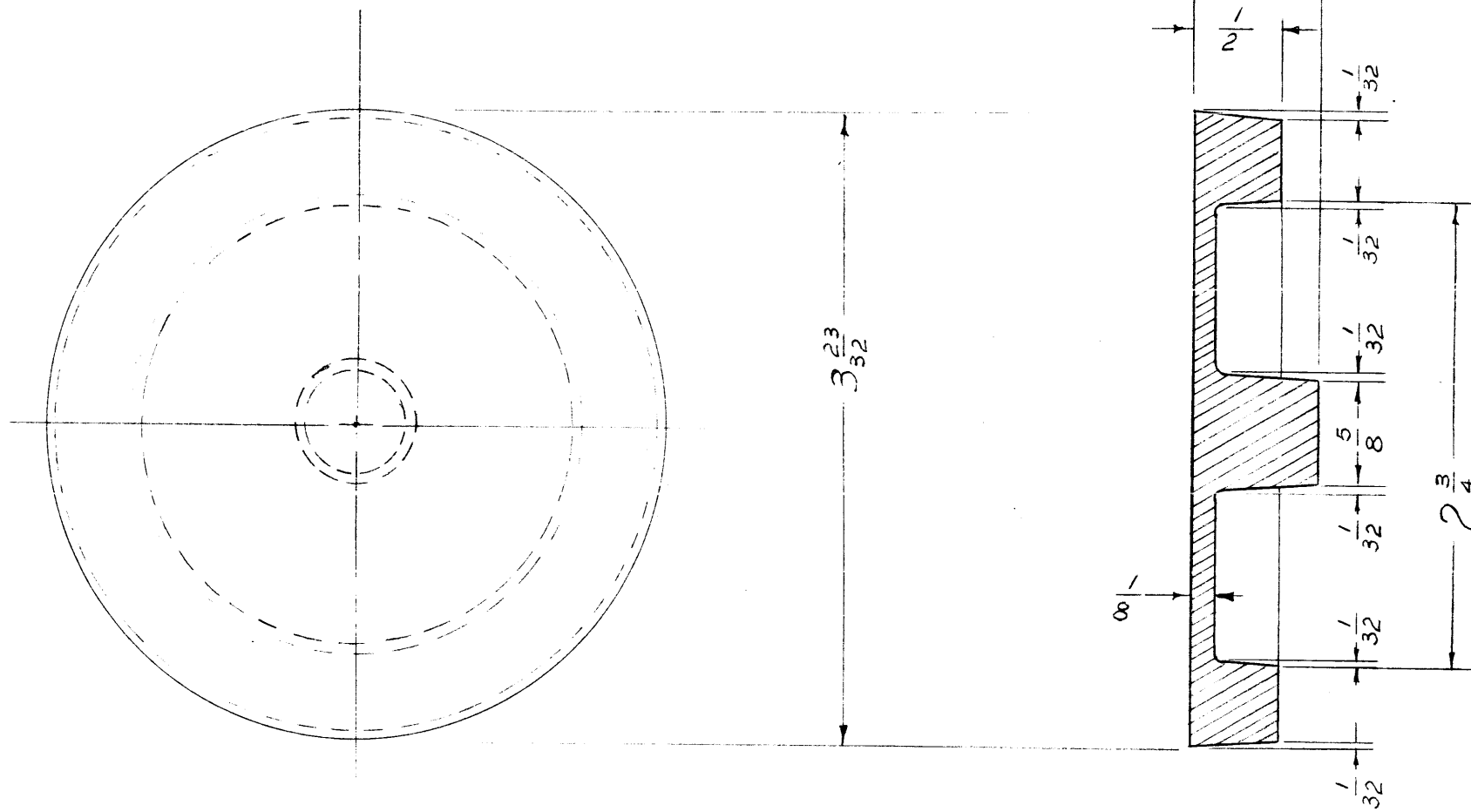


IF IT IS FOUND DESIRABLE TO CHANGE ANY TOLERANCE OR OTHER DETAIL SPECIFIED ON THIS DRAWING NOTIFY THE PURCHASER PROMPTLY.

MAXIMUM ALLOWABLE TOLERANCES HAVE BEEN DETERMINED AND DEVIATIONS WILL BE CAUSE FOR REJECTION. REMOVE ALL BURRS AND SHARP EDGES

CS-115 E



CASTING TO BE FREE OF POROSITY, SAND HOLES AND ALL SURFACES SMOOTH

NOTICE TO PERSONS RECEIVING THIS DRAWING
 THE TECHNICAL MATERIEL CORPORATION claims proprietary right in the material disclosed herein. This drawing is issued in confidence for engineering information only and may not be reproduced or used to manufacture anything shown hereon without permission from THE TECHNICAL MATERIEL CORPORATION. This drawing is loaned for mutual assistance and is subject to recall at any time.

Property of:
 THE TECHNICAL MATERIEL CORPORATION
 MAMARONECK, NEW YORK

REF: DWG. NO. PH-336

E	1	VOX-2 deleted	6/17/55	1119	JCB	JCB	JCB
D	1	REDRAWN MACHINING DELETED	5/2/55	4	CSB	JCB	WEC
ISSUE	ITEM	CHANGED FROM	DATE	CN. NO.	DRAFTS	CHECKER	ENG. APP.

TOLERANCES		SCALE:
ALL OTHERS	DEC. DIM. ± FRAC. DIM. ± 1/32 ANGULAR DIM. ±	DRILL, PUNCH, COMMERCIAL STOCK SIZES AND MANUFACTURERS TOLERANCES ARE NOT INCLUDED.

1	VOX-1	PROJECT NO.	ASS'Y. NO.	DATE
REQ. PER UNIT	MODEL	PROJECT NO.	ASS'Y. NO.	DATE
USED ON				

REQ. ITEM	PART NO.	DESCRIPTION	SYMBOL
#		THE TECHNICAL MATERIEL CORP.	
STOCK SIZE		MAMARONECK, NEW YORK	
ALUMINUM	#	CASTING, COUNTER BALANCE	
MATERIAL	WEIGHT PER PC.	VOX-1 VOX-2	
356			
TYPE & TEMPER		P.B. 3-15-55	WEC
		DRAWN	ELEC. DES. APP. MECH. DES. APP.
		3-17-55	WEC
HEAT TREAT. SPEC.		CHECKED	FINAL APPROVAL
			CS-115 E
FINISH & SPEC. NO.			