

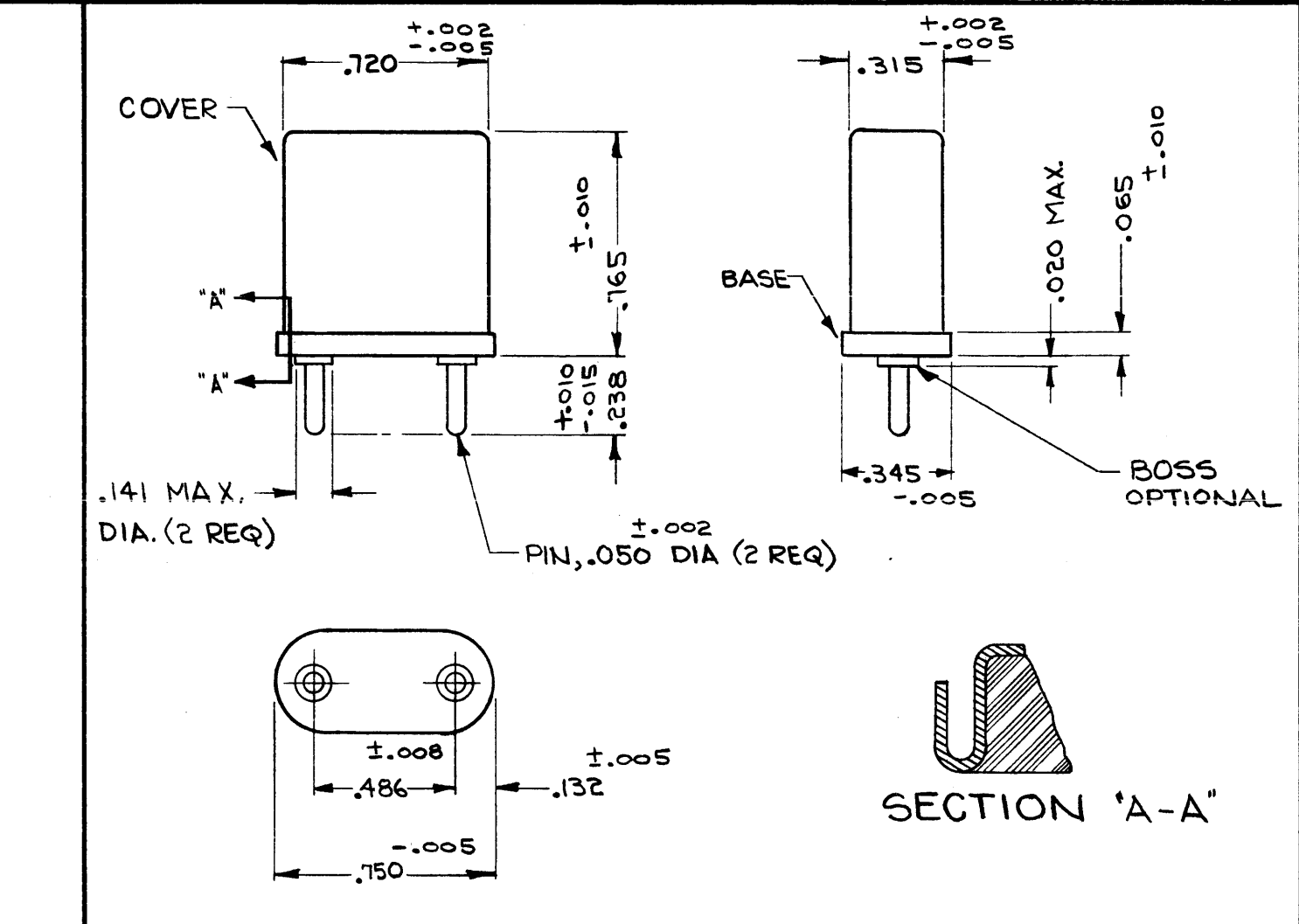
TMC PART NUMBER	OPERATING FREQ. (MC)	SPURIOUS SUPPRESSION BANDWIDTH	FREQUENCY ABSOLUTE	
CR 113-1	1.000000	\pm 100 KC	.05% LOW OR OR 5 PARTS IN 10^4	
CR 113-2	1.010000	\pm 100 KC		
CR 113-3	1.020000	\pm 100 KC		
CR 113-4	1.030000	\pm 100 KC		
CR 113-5	1.040000	\pm 100 KC		
CR 113-6	1.050000	\pm 100 KC		
CR 113-7	1.060000	\pm 100 KC		
CR 113-8	1.070000	\pm 100 KC		
CR 113-9	1.080000	\pm 100 KC		
CR 113-10	1.090000	\pm 100 KC		
CR 113-11	1.100000	\pm 100 KC		
CR 113-12	1.110000	\pm 100 KC		
CR 113-13	1.120000	\pm 100 KC		
CR 113-14	8.000000	\pm 400 KC		.01% LOW OR 1 PART IN 10^4
CR 113-15	10.000000	\pm 400 KC		
CR 113-16	1.000000	\pm 100KC	.02% LOW OR 2 PARTS IN 10^4	
CR 113-17	1.100000	\pm 100KC		

SPECIFICATIONS

"Q" - > 60,000
 Rs - 400 OHMS OR LESS
 OPERATING TEMPERATURE RANGE- 0° TO 55°C.
 C1- .0075 TO .0080 pf
 Co- \approx 5 pf

SPURIOUS SUPPRESSION- 40 db DOWN
 DRIVE LEVEL- .25 MW
 HOLDER- HC-6/U

REVISIONS						
SYM	DESCRIPTION	DATE	E.M.N. NO.	DRAFT	CHKD	APFD
X	EXPER. RELEASE	3-25-64	1			
Ø	ORIGINAL RELEASE FOR PRODUCTION	7-10-64				
A	ON SPECS. C1 WAS .0077 TO .0078	8-26-64	12229			
B	ON SPECS. "FREQ. ABS..." TRANSFERED TO CHART. CR113-16,-17 ADD.	10-30-64	12823			
C	ALL X'S DELE. ON SPECS, * NOTE RELOC. TO CR113-14&15 FREQ COL.	11-13-64	12906			



REQ'D.	ITEM	PART NUMBER	DESCRIPTION	SYMBOL
M. GELLMAN LIST OF MATERIAL				
MATERIAL			THE TECHNICAL MATERIEL CORP. MAMARONECK, NEW YORK	
FINISH			TITLE CRYSTAL - SPECTRUM FILTER	
UNLESS OTHERWISE SPECIFIED DIMENSIONS ARE IN INCHES AND INCLUDE CHEMICALLY APPLIED OR PLATED FINISHES			DRAWN S. Lerner	DATE 3/25/64
DECIMALS .X ± .05 .XX ± .01 .XXX ± .005			CHECKED @	DATE 7-9-64
FRACTIONS ± 1/64 ANGLES ± 0° 30'			ELECTRICAL DES.	DATE 7-9-64
TOLERANCES			FINAL APPROVAL CR 113	
THE CONTENTS OF THIS DRAWING ARE THE EXCLUSIVE PROPERTY OF THE TECHNICAL MATERIEL CORP. ITS UNAUTHORIZED USE OR REPRODUCTION IN WHOLE OR IN PART IS STRICTLY FORBIDDEN.			SHEET	
			REV. LTR.	

STANDARD DRAWING

NOTES

50	LFSAI	
Q'TY./UNIT	MODEL USED ON	ASS'Y. NO.
SCALE	CODE	
	C	S401-129