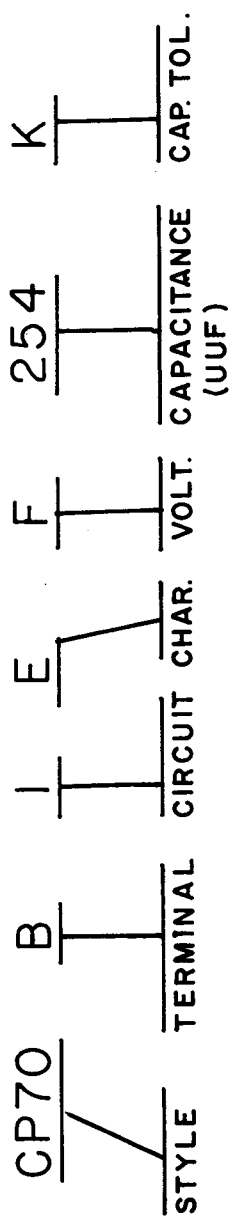


REQ. PER UNIT	MODEL	USED ON	CP70
		ASSY. NO.	
		DATE	

STANDARD DRAWING

PART NO. SHALL BE AS SHOWN IN THE FOLLOWING EXAMPLE:



NOTE: FINISH & SPEC - ALL CAPACITORS SHALL BE PAINTED TMC GRAY (S115) OR EQUIVALENT.

NOTE: FOR MOUNTING BRACKETS, SEE CP07

FOR COMPLETE INFORMATION ON CP70, REFER TO MIL SPEC MIL-C-25A, MIL-C-25/7B & AMEND.

REQ. ITEM	PART NO.	DESCRIPTION	SYMBOL
		THE TECHNICAL MATERIEL CORP. MAMARONECK. NEW YORK	
		CAPACITOR, FIXED, PAPER DIELECTRIC	
		METAL CASE	
		16 4/8/58	
		CHECKED	
		DRAWN	
		HEAT TREAT. SPEC.	
		SEE NOTE	
		FINISH & SPEC. NO.	CP70
		ELEC. DES. APP. MECH. DES. APP.	
		FINAL APPROVAL	

ISSUE ITEM	CHANGED FROM	DATE	CH. NO.	DRAFTS	CHECKER	ENG. APP.
C 1	PART NO. NOTE ADDED	3-25-63	8648			
B 1	FINISH & SPEC NOTE ADDED	11-7-62	7613			
A -	REDRAWN NO REVISION	1/29/61				

SCALE:

MAXIMUM ALLOWABLE TOLERANCES HAVE BEEN DETERMINED AND ANY DEVIATIONS WILL BE CAUSE FOR REJECTION. REMOVE ALL BURRS AND SHARP EDGES

TOLERANCES

DEC. DIM. ±
FRAC. DIM. ±
ANGULAR DIM. ±

CP-102		USED ON	
		MODEL	PROJECT NO.
RARC/S		ASS'Y. NO.	DATE
			11/9/53

IF IT IS FOUND DESIRABLE TO CHANGE ANY TOLERANCE OR OTHER DETAIL SPECIFIED ON THIS DRAWING NOTIFY THE PURCHASER PROMPTLY.

MAXIMUM ALLOWABLE TOLERANCES HAVE BEEN DETERMINED AND DEVIATIONS WILL BE CAUSE FOR REJECTION. REMOVE ALL BURRS AND SHARP EDGES

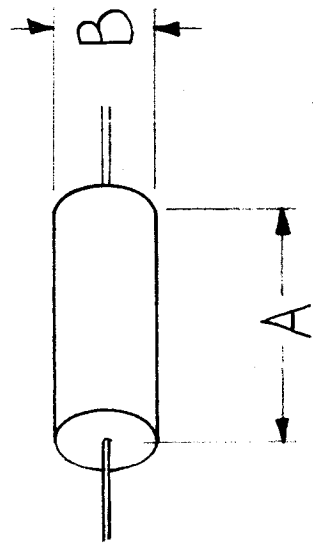
MAXIMUM ALLOWABLE TOLERANCES HAVE BEEN DETERMINED AND DEVIATIONS WILL BE CAUSE FOR REJECTION. REMOVE ALL BURRS AND SHARP EDGES

REQ. ITEM	PART NO.	DESCRIPTION	SYMBOL
		THE TECHNICAL MATERIEL CORP. MAMARONECK. NEW YORK	
STOCK SIZE			
MATERIAL	WEIGHT PER PC.	CAPACITOR, fixed paper	
TYPE & TEMPER			
HEAT TREAT. SPEC.			
FINISH & SPEC. NO.			

Ref: Spague Products Co #3864

ISSUE ITEM	CHANGED FROM	DATE	CN. NO.	DRAFTS	CHECKER	ENG. APP.
TOLERANCES						
ALL	DEC. DIM. \pm	DRILL, PUNCH, COMMERCIAL STOCK				
OTHERS	FRAC. DIM. \pm	SIZES AND MANUFACTURERS				
	ANGULAR DIM. \pm	TOLERANCES ARE NOT INCLUDED.				
DRAWN		ELEC. DES. APP.	MECH. DES. APP.		FINAL APPROVAL	
CHECKED				CP-102		

TMC PART NO	CATALOG NO	CAPACITANCE	TOL. CAP.	CASE COVERING	A	B	WORKING VOLTS DC
CP-108-1	P123ZNP	.04 μ f	$\pm 10\%$	PLASTIC TUBE	3/4	.312	400
CP-108-2	P123ZNP	.47 μ f	$\pm 10\%$	PLASTIC TUBE	1-23/32	.562	400



CASE - METAL, w/GLASS END SEALS ~
 HERMATICALLY SEALED.
 OPERATING TEMPERATURE RANGE
 -55°C to +70°C

CP-108 OBSOLETE
 ALL EXISTING CP-108 STOCK TO BE REMARKED
 AND STOCKED AS FOLLOWS:
 CP-108-1 BECOMES CP-106 C403-4
 CP-108-2 BECOMES CP-106 C474-4
 SEE CP-106

REQ. PER UNIT	MODEL	DATE	DESCRIPTION	SYMBOL
			THE TECHNICAL MATERIEL CORP. MAMARONECK, NEW YORK	
			CAPACITOR, FIXED	
			METALLIZED PAPER	
			DRAWN BY <i>[Signature]</i>	
			CHECKED BY <i>[Signature]</i>	
			FINAL APPROVAL	
			CP-108	A

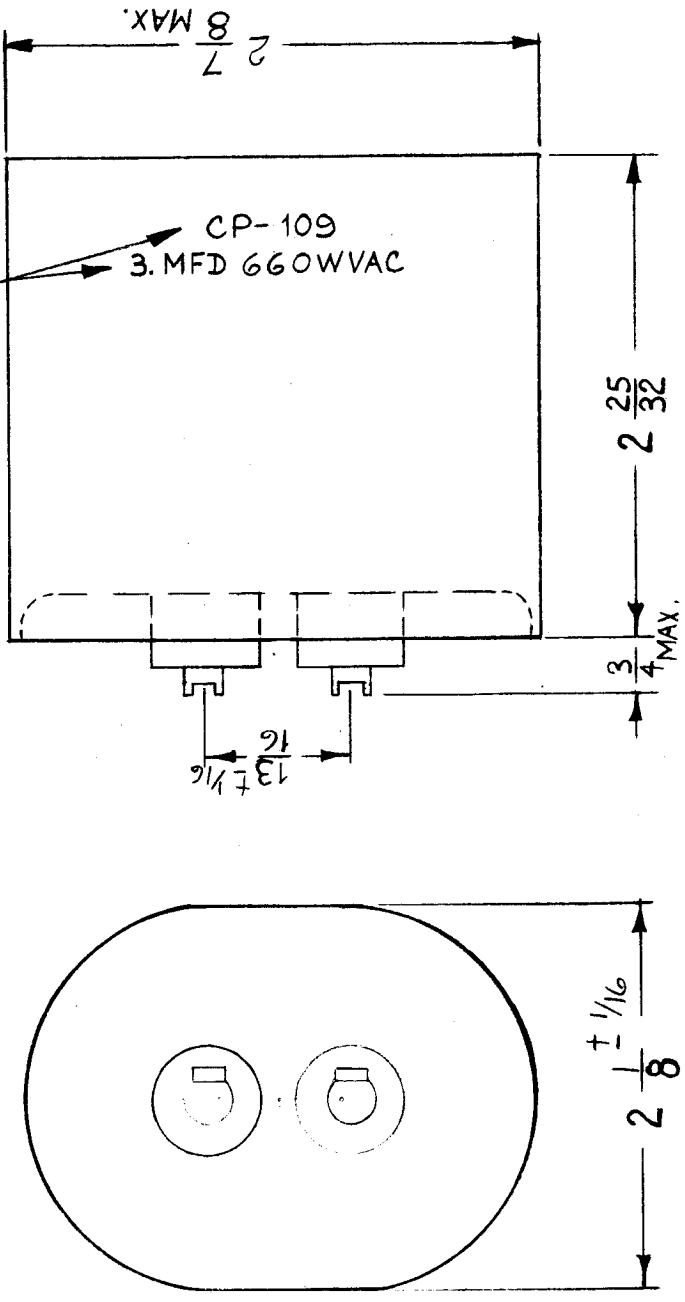
ISSUE ITEM: A 1
 CHANGED FROM: CP-108 OBSOLETE, SEE CP-106
 DATE: 8-29-60
 CH. NO.: 2885
 DRAFTS CHECKER: *[Signature]*
 ENG. APP.: *[Signature]*
 SCALE: 5-401-93
 TOLERANCES: MAXIMUM ALLOWABLE TOLERANCES HAVE BEEN DETERMINED AND ANY DEVIATIONS WILL BE CAUSE FOR REJECTION. REMOVE ALL BURRS AND SHARP EDGES
 DEC. DIM. \pm
 FRAC. DIM. \pm
 ANGULAR DIM. \pm

REQ. PER UNIT	1
MODEL	CPP-2
USED ON	ASST. NO.
DATE	5-23-60
CP-109	C

TO BE STAMPED 1/8 HIGH BLACK GOTHIC.

ELECTRICAL SPEC.
 3-UF C 660 VAC
 60 ~
 CAP. TOL = ±6%

NOTE:
 THIS CAPACITOR MUST BE
 SUPPLIED W/TMC PART
 TF-223. BY TRANSFORMER
 MFGR.



REF: USE CU-135 (BRACKET).

REQ. ITEM	PART NO.	DESCRIPTION	SYMBOL
C 1		THE TECHNICAL MATERIEL CORP.	
B 1		MAMARONECK, NEW YORK	
A 1		CAPACITOR, FIXED	
		OIL FILLED	
ISSUE ITEM	CHANGED FROM	DRAWN	CHECKED
		DATE	CH. NO.
		DRAFTS	CHECKER
		ENG. APP.	
TOLERANCES			
SCALE: S-401-34 (80 66-3)			
MAXIMUM ALLOWABLE TOLERANCES HAVE BEEN DETERMINED AND ANY DEVIATIONS WILL BE CAUSE FOR REJECTION. REMOVE ALL BURRS AND SHARP EDGES			
DEC. DIM. ±		TYPE & TEMPER	HEATTREAT. SPEC.
FRAC. DIM. ±		FINISH & SPEC. NO.	
ANGULAR DIM. ±		ELEC. DES. APP	MECH. DES. APP
		CP-109	C

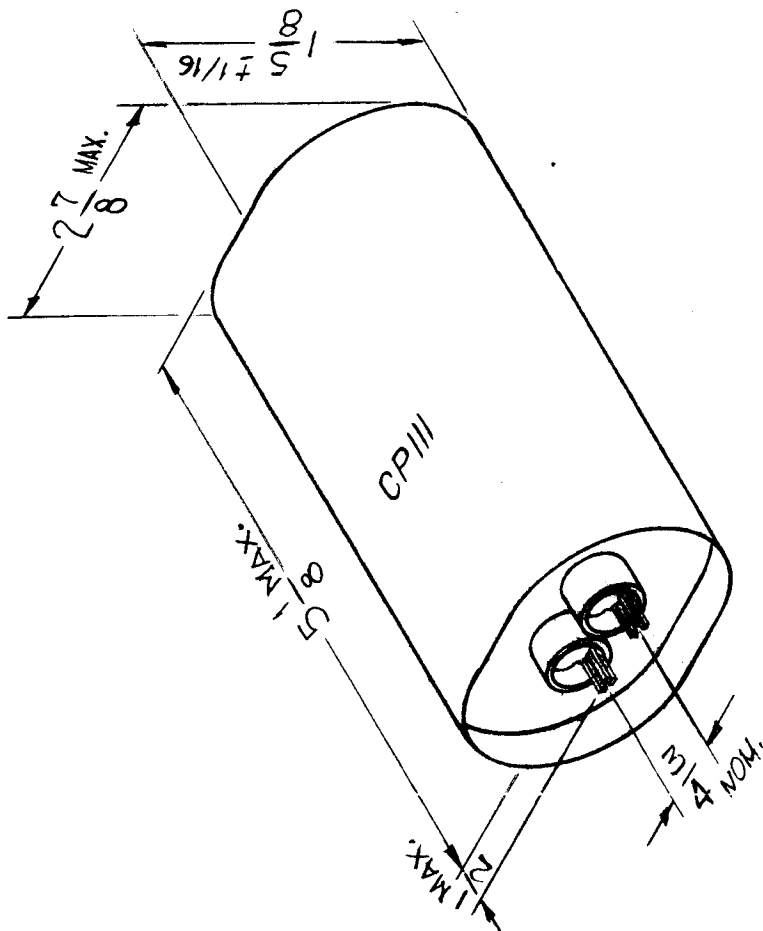
REQ. PER UNIT	USED ON	MODEL	DATE
1	ASSTY. NO.	CPP-5	4-7-61
			CP-111 A

NOTES —

FOR PRODUCTION PURPOSES —
 CAPACITOR AND TRANSFORMER (TMC# TF-230)
 MUST BE PURCHASED AS A MATCHED SET,
 (INDICATED BY IDENTICAL TYPE NO'S.)

ELEC. SPECS:

CAPACITANCE ~ 6uF
 WORKING VOLTS ~ 660 VAC



REG. ITEM	PART NO.	DESCRIPTION	SYMBOL
S401-40	(72FG195)	THE TECHNICAL MATERIEL CORP. MAMARONECK, NEW YORK	
		CAPACITOR, FIXED PAPER DIELECTRIC	
		J.C. Biele	
		DRAWN	CHECKED
		S.D.	J.C. Biele
		ELEC. DES. APP	MECH. DES. APP
		FINISH & SPEC. NO.	CP-111 A

ISSUE ITEM	CHANGED FROM	DATE	CH. NO.	DRAFTS	CHECKER	ENG. APP.
A	REVISED & UPDATED	5-22-61	18242	G.D.L.	[Signature]	R.H. [Signature]

SCALE: 1/2 Do Not Scale

TOLERANCES
 MAXIMUM ALLOWABLE TOLERANCES HAVE BEEN DETERMINED AND ANY DEVIATIONS WILL BE CAUSE FOR REJECTION.
 REMOVE ALL BURRS AND SHARP EDGES

DEC. DIM. ±
 FRAC. DIM. ± 1/64
 ANGULAR DIM. ±

IF IT IS FOUND DESIRABLE TO CHANGE ANY TOLERANCE OR OTHER DETAIL SPECIFIED ON THIS DRAWING NOTIFY THE PURCHASER PROMPTLY.

MAXIMUM ALLOWABLE TOLERANCES HAVE BEEN DETERMINED AND DEVIATIONS WILL BE CAUSE FOR REJECTION. REMOVE ALL BURRS AND SHARP EDGES

STANDARD DRAWING

CP-10001

USED ON

DATE

ASS'Y. NO.

PROJECT NO.

MODEL

FEB 23 1960

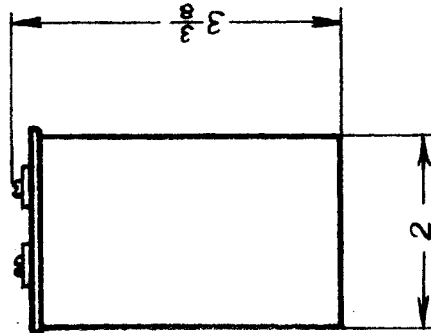
TMC PART NO.	MFR CATALOG NO.	CAP μ F	VOLTS AC	SIZE (IN) DIA. x LENGTH
CP-10001-1	RP-3305	5	330	2 x 3 3/8

NOTICE TO PERSONS RECEIVING THIS DRAWING

THE TECHNICAL MATERIEL CORPORATION claims proprietary right in the material disclosed hereon. This drawing is issued in confidence for engineering information only and may not be reproduced or used in manufacture anything shown hereon without permission from THE TECHNICAL MATERIEL CORPORATION to the user. This drawing is loaned for mutual assistance and is subject to recall at any time.

Property of:

THE TECHNICAL MATERIEL CORPORATION
WINDSOR, ONTARIO



P. R. MALLORY & CO. INC.

REQ.	ITEM	PART NO.	DESCRIPTION	SYMBOL
			TMC (Canada) LIMITED OTTAWA ONTARIO	
			CAPACITOR, FIXED	
			METAL CASE	
			MK	
			DRAWN	
			JPC	
			CHECKED	
			ELEC. DES. APP.	
			MECH. DES. APP.	
			FINAL APPROVAL	
			CP-10001	

ISSUE	ITEM	CHANGED FROM	DATE	CN. NO.	DRAFTS	CHECKER	ENG. APP.
TOLERANCES							
SCALE 2:1							
DIMENSIONS IN INCHES							
UNLESS OTHERWISE SPECIFIED							
DRILL, PUNCH, COMMERCIAL STOCK							
SIZES AND MANUFACTURERS							
TOLERANCES ARE NOT INCLUDED.							
ALL	DEC. DIM. \pm						
OTHERS	FRAC. DIM. \pm						
	ANGULAR DIM. \pm						