

IF IT IS FOUND DESIRABLE TO CHANGE ANY TOLERANCE OR OTHER DETAIL SPECIFIED ON THIS DRAWING NOTIFY THE PURCHASER PROMPTLY.

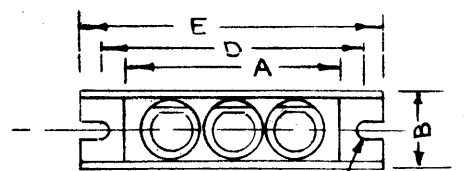
MAXIMUM ALLOWABLE TOLERANCE HAVE BEEN DETERMINED AND DEVIATIONS WILL BE CAUSE FOR REJECTION. REMOVE ALL BURRS AND SHARP EDGES

# STANDARD DRAWING

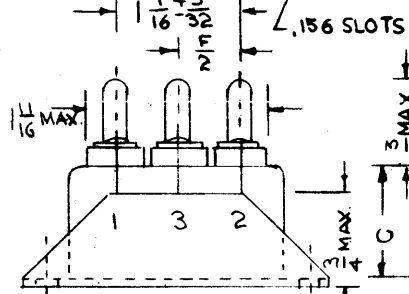
CP/67/69 B

## DIMENSIONS IN INCHES

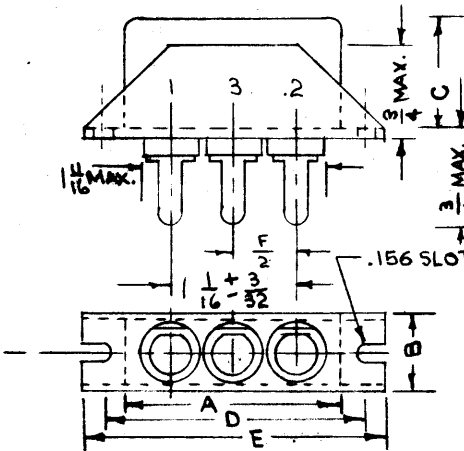
CASE SIZE	A ± 3/32	B MAX.	C ± 1/16	D ± 1/32	E ± 1/32	F ± 3/32
B1	1 3/4	4 1/64	1 1/16	2 1/8	2 7/16	1 1/16
B2	1 3/4	4 1/64	1 1/2	2 1/8	2 7/16	1 1/16
B3	1 3/4	4 1/64	2	2 1/8	2 7/16	1 1/16
B4	1 3/4	4 1/64	2 1/2	2 1/8	2 7/16	1 1/16
B5	1 3/4	4 1/64	2 3/4	2 1/8	2 7/16	1 1/16



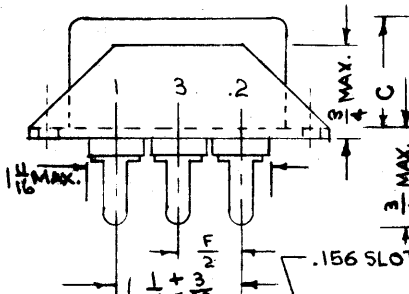
TYPE DESIGNATION TO BE IN THE FOLLOWING FORM:



CP 67 B 1 E F 503 K 1  
 COMPONENT TERMINALS CHARACTERISTICS CAPACITANCE VIBRATION GRADE  
 CASE CIRCUIT VOLTAGE TOLERANCE

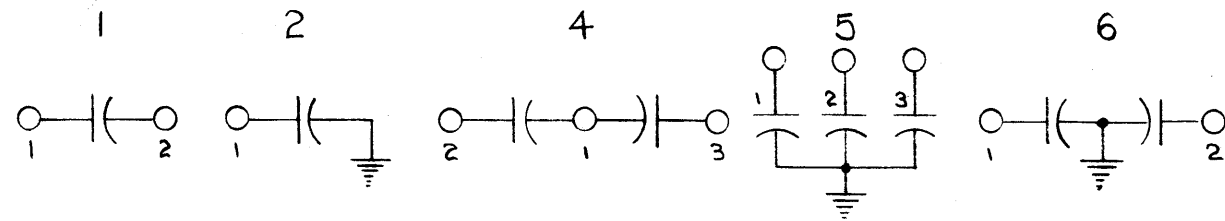


TYPE DESIGNATION TO BE IN THE FOLLOWING FORM:



CP 69 B 1 E F 503 K 1  
 COMPONENT TERMINALS CHARACTERISTICS CAPACITANCE VIBRATION GRADE  
 CASE CIRCUIT VOLTAGE TOLERANCE

### CIRCUITS



TYPE DESIGNATION	RATED VOLTAGE (VOLTS)	CAPACITANCE (µf)	CHARACTERISTICS AVAILABLE	TOLERANCE AVAILABLE	CASE SIZE	
					FOR CHAR. E	FOR CHAR. F
CP6-B-EF503K1	600	0.05	E	K	B1	
CP6-B-EF104K1	600	0.1	E	K	B1	
CP6-B-EF254K1	600	0.25	E	K	B2	
CP6-B-EF504K1	600	0.5	E	K	B3	
CP6-B-F105K1	600	1	E, F	K	B5	B4
CP6-B-EG103K1	1000	0.01	E	K	B1	
CP6-B-EG203K1	1000	0.02	E	K	B1	
CP6-B-EG503K1	1000	0.05	E	K	B1	
CP6-B-EG104K1	1000	0.1	E, F	K	B2	B1
CP6-B-EG254K1	1000	0.25	E	K	B3	
CP6-B-G504K1	1000	0.5	E, F	K	B5	B4
CP6-B-EF503V1	600	0.05 - 0.05	E	V	B1	
CP6-B-EF104V1	600	0.1 - 0.1	E	V	B2	
CP6-B-EF254V1	600	0.25 - 0.25	E	V	B3	
CP6-B-F504V1	600	0.5 - 0.5	E, F	V	B5	B4
CP6-B-EG103V1	1000	0.01 - 0.01	E	V	B1	
CP6-B-EG203V1	1000	0.02 - 0.02	E	V	B1	
CP6-B-G503V1	1000	0.05 - 0.05	E, F	V	B2	B1
CP6-B-G104V1	1000	0.1 - 0.1	E, F	V	B3	B2
CP6-B-G254V1	1000	0.25 - 0.25	E, F	V	B5	B4
CP6-B5-F503V1	600	0.05 - 0.05 - 0.05	E, F	V	B2	B1
CP6-B5EF104V1	600	0.1 - 0.1 - 0.1	E	V	B2	
CP6-B5EF254V1	600	0.25 - 0.25 - 0.25	E, F	V	B5	B4
CP6-B5EG103V1	1000	0.01 - 0.01 - 0.01	E	V	B1	
CP6-B5EG203V1	1000	0.02 - 0.02 - 0.02	E	V	B1	
CP6-B5EG503V1	1000	0.05 - 0.05 - 0.05	E	V	B2	
CP6-B5EG104V1	1000	0.1 - 0.1 - 0.1	E	V	B4	

TEMPERATURE CHARACTERISTICS		
LETTER	TEMP C	INS. RESISTANCE MEG. OHMS
E	-55° to +85°	6000
F	-55° to +85°	4500

TOLERANCES	
LETTER	PERCENT
K	± 10
V	+ 20 - 10

CAPACITORS SHALL BE IN ACC. WITH MIL-C-25 AND AMEND.

REQ.	ITEM	PART NO.	DESCRIPTION	SYMBOL
			THE TECHNICAL MATERIEL CORP. MAMARONECK, NEW YORK	
			CAPACITOR, FIXED	
			METALLIC CASE	
			C.O.D. 11/18/51	G.T.O
			DRAWN	ELEC. DES. APP.
			WDC 11/14/52	
			CHECKED	FINAL APPROV.
				CP/67/69

ISSUE	ITEM	CHANGED FROM	DATE	CN. NO.	DRAFTS	CHECKER	ENG. APP.
B		ADDED VIBRATION GRADE 1	7-21-66	16604	RME	CP	
A	1	CHARACTERISTICS & TOLERANCES REVISED	4-9-63	B73		HO	

TOLERANCES		SCALE:
ALL OTHERS	DEC. DIM. ± FRAC. DIM. ± ANGULAR DIM. ±	DRILL, PUNCH, COMMERCIAL STOCK SIZES AND MANUFACTURERS TOLERANCES ARE NOT INCLUDED.

MODEL	XFK	PROJECT NO.		ASSY. NO.		DATE	
							USED