

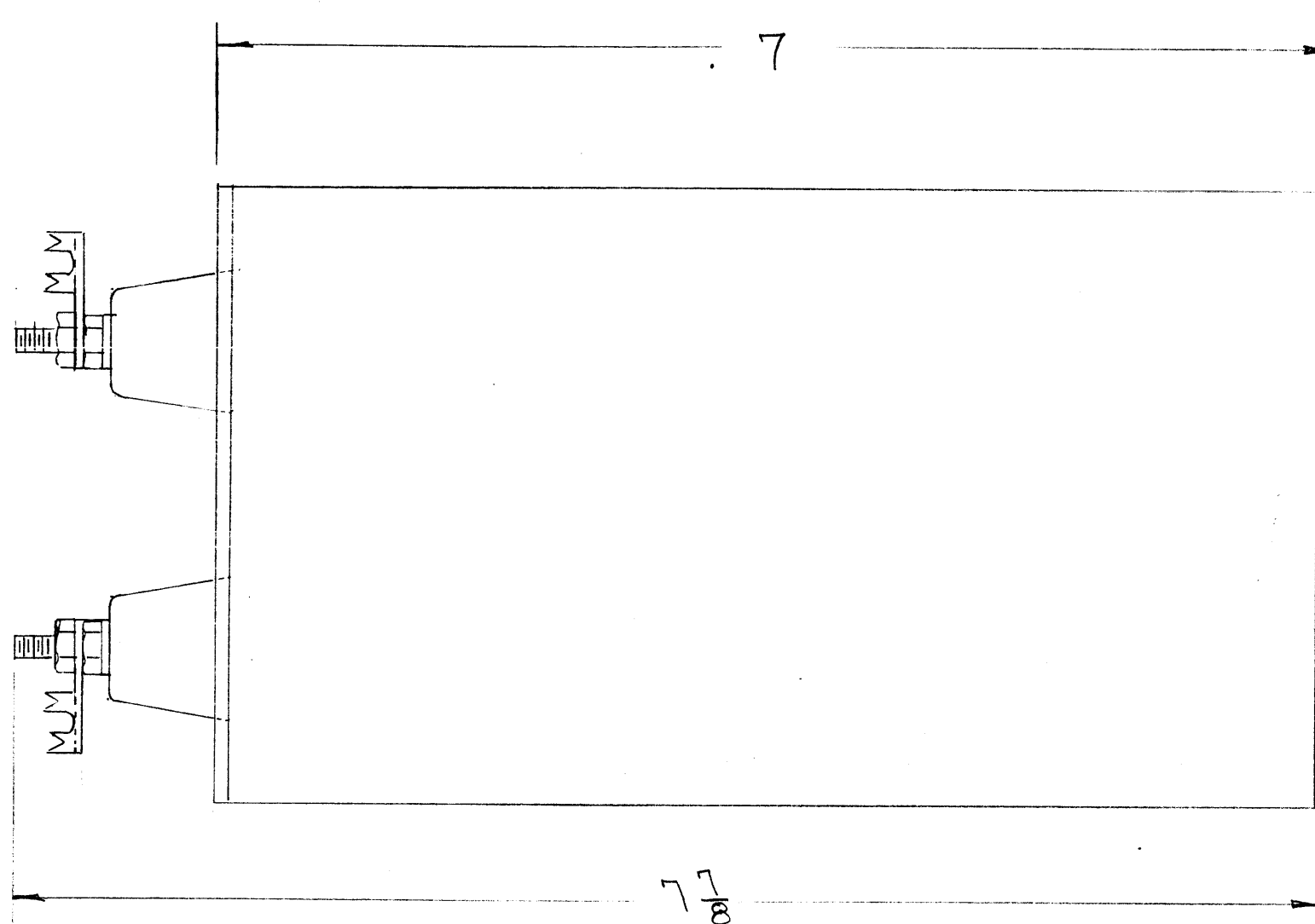
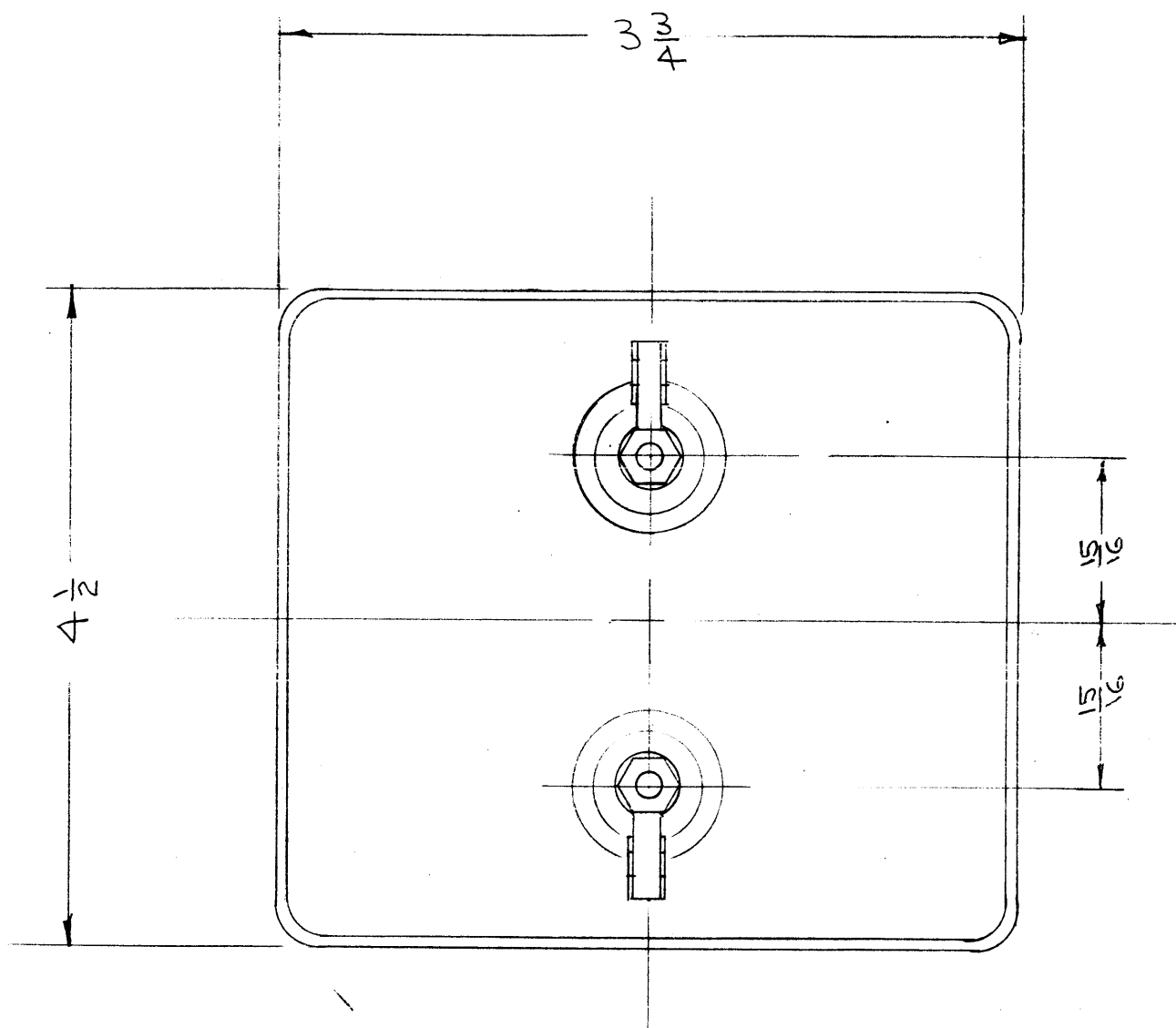
IF IT IS FOUND DESIRABLE TO CHANGE ANY TOLERANCE OR OTHER DETAIL SPECIFIED ON THIS DRAWING NOTIFY THE PURCHASER PROMPTLY.

MAXIMUM ALLOWABLE TOLERANCES HAVE BEEN DETERMINED AND DEVIATIONS WILL BE CAUSE FOR REJECTION. REMOVE ALL BURRS AND SHARP EDGES

ELECTRICAL SPECIFICATIONS

17.5 MFD
4000 VDC

CP-101



NOTE:
Dimensions For Ref. Only

REF: CORNELL-DUBILIER # T-155

REQ.	ITEM	PART NO.	DESCRIPTION	SYMBOL
			THE TECHNICAL MATERIEL CORP.	
STOCK SIZE			MAMARONECK. NEW YORK	
			CAPACITOR, FIXED	
MATERIAL			PAPER, PHOTOFLASH	
WEIGHT PER PC.				
TYPE & TEMPER				
HEAT TREAT. SPEC.				
FINISH & SPEC. NO.				

ISSUE	ITEM	CHANGED FROM	DATE	CN. NO.	DRAFTS	CHECKER	ENG. APP.
TOLERANCES			SCALE:				
ALL OTHERS	DEC. DIM. ±	FRAC. DIM. ±	DRILL, PUNCH, COMMERCIAL STOCK SIZES AND MANUFACTURERS TOLERANCES ARE NOT INCLUDED.				

MODEL	PROJECT NO.	ASS'Y. NO.	DATE
	ECOLE		8-26-53

CP-101