

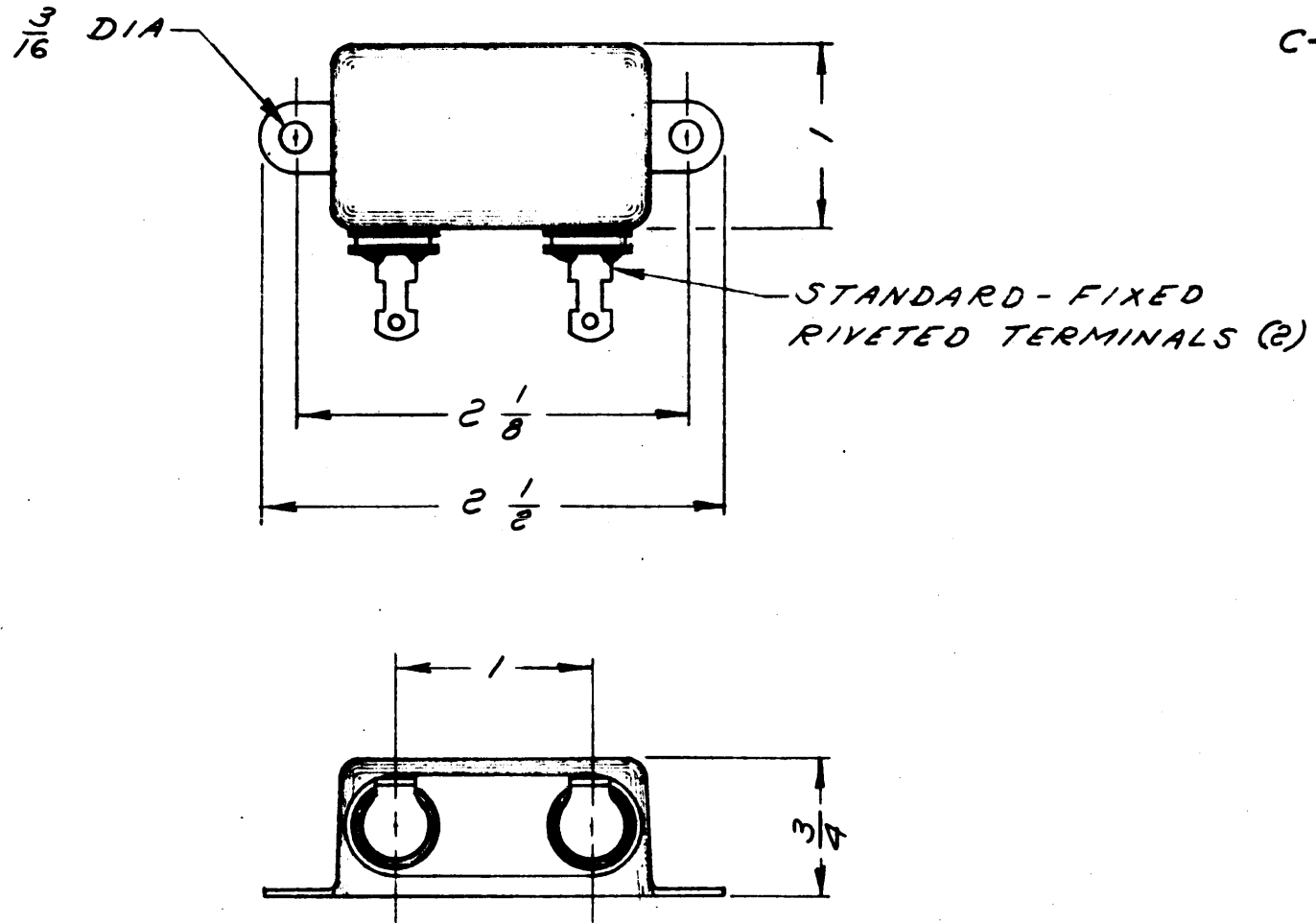
NOTICE: When Gov rnm nt drawings, specifications, or other data are used for any purpose other than in connection with a definitely related Governm nt procurement operation, the United States Governm nt thereby incurs no responsibility, nor any obligations whatsoever; and the fact that the Governm nt may have formulated, furnished, or in any way supplied the said drawings, specifications, or other data is not to be regarded by implication r otherwise as in any manner licensing the holder or any other person r corporation, or conveying any rights or permission to manufacture, use, or sell any patented invention that may in any way be related thereto.

NEXT ASSEMBLY	1 ST USED N

REVISIONS			
SYM	DESCRIPTION	DATE	APPROVAL
A	DWG. NO. WAS MB-1055	6-4-53	<i>[Signature]</i>

C-10
 CAPACITOR, FIXED: PAPER; 85,000 MMF ± 5%; 600 VDCW; HERMETICALLY SEALED METAL CASE; MINERAL OIL FILLED, AND IMPREGNATED; TWO RIVET LUG TERMINALS, LOCATED ON SIDE, NO INTERNAL GROUND CONNECTIONS. AEROVOX TYPE 630 M

C-11
 CAPACITOR, FIXED: PAPER; 65,000 MMF ± 5%; 600 VDCW; ETC... ETC. SAME AS C-10



NOTICE TO PERSONS RECEIVING THIS DRAWING

THE TECHNICAL MATERIEL CORPORATION claims proprietary right in the material disclosed hereon. This drawing is issued in confidence for engineering information only and may not be reproduced or used to manufacture anything shown hereon without permission from THE TECHNICAL MATERIEL CORPORATION to the user. This drawing is loaned for mutual assistance and is subject to recall at any time.

Property of:
 THE TECHNICAL MATERIEL CORPORATION
 MAMARONECK, NEW YORK

REQD	PART NO.	DESCRIPTION	MATL	MATL SPEC	UNIT WT.	ZONE
UNLESS OTHERWISE SPECIFIED		AUTHENTICATION		CAPACITOR SFO-2 REGENERATOR THE TECHNICAL MATERIEL CORPORATION MAMARONECK, NEW YORK		
DIMENSIONS ARE IN INCHES		DRAWN <i>TMC</i>				
TOLERANCES		TRACED				
FRACTIONS ± 1/64		CHECKED <i>TMC</i>				
DECIMALS ± .005		VERIFIED				
ANGLES ± 10-0'		APPD	REVD			
COMMERCIAL TOLERANCE		DATE <i>15 APR 1949</i>		SCALE <i>1/1</i>		
APPLY TO STOCK IZES				P-100 A		