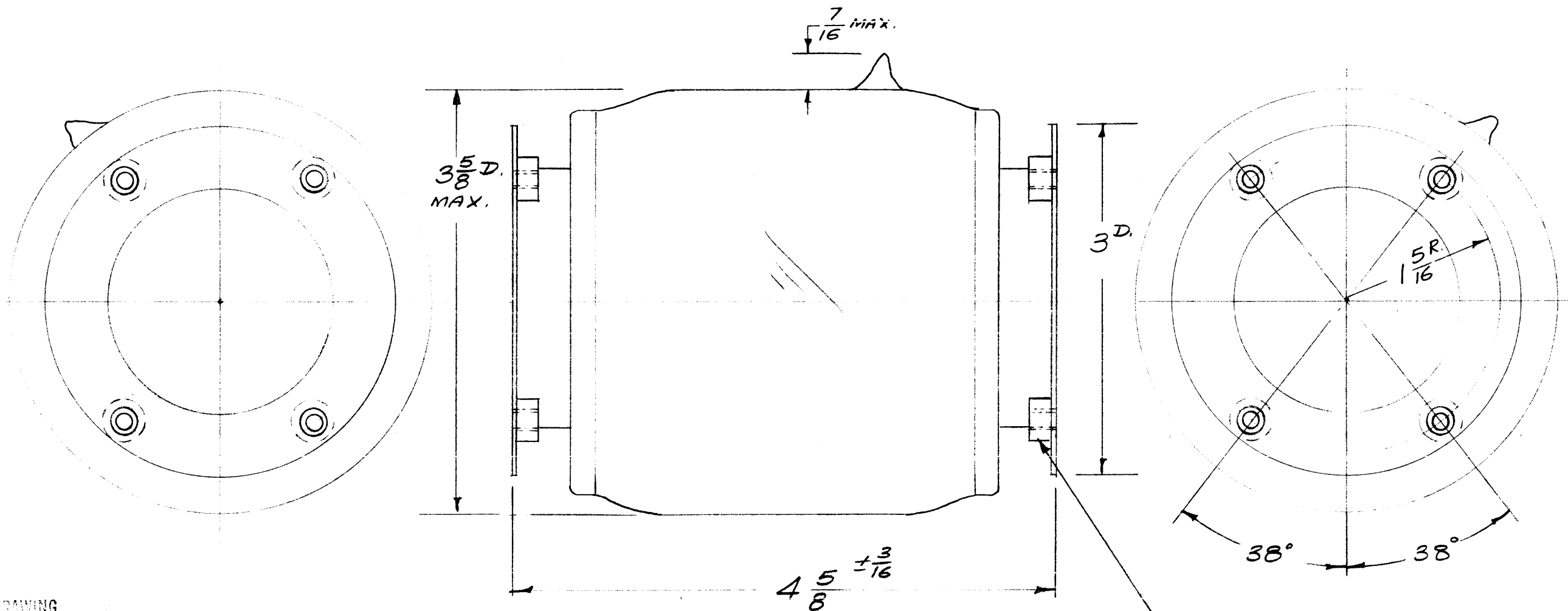


VOLTAGE AVAILABLE	
TMC CODE	VOLTAGE (PEAK)
7.5	7.5 KV
10	10 KV
12	12 KV

CO-103

NOTE - CURRENT RATING
42 AMPS RMS



Note - End Brackets Welded on.

Four 10-32 Brass Slugs Silver Soldered.

NOT BE TO PERSONS RECEIVING THIS DRAWING

THE TECHNICAL MATERIEL CORPORATION claims proprietary right in the design disclosed herein. This drawing is loaned in confidence for information only and may not be reproduced or used to manufacture anything shown herein without permission from THE TECHNICAL MATERIEL CORPORATION to the user. This drawing is loaned for mutual assistance and is subject to recall at any time.

Property of:
THE TECHNICAL MATERIEL CORPORATION
MAMARONECK, NEW YORK

TMC PART NO. TO BE IN FOLLOWING FORM:

CO-103- 1000-12

BASIC TMC PART NO.

CAPACITANCE (IN MMFD)
NOTE: ONLY AVAILABLE IN 1000 MMFD.

VOLTAGE DESIRED (IN KV)
SEE CHART TMC CODE

Ref-Jennings Type JCS-1000

ISSUE	ITEM	CHANGED FROM	DATE	CH. NO.	DRAFTS	CHECKER	ENG. APP.
CV-106	TOLERANCES						
DEC. DIM. \pm		MAXIMUM ALLOWABLE TOLERANCES HAVE BEEN DETERMINED AND ANY DEVIATIONS WILL BE CAUSE FOR REJECTION.					
FRAC. DIM. $\pm \frac{1}{32}$		REMOVE ALL BURRS AND SHARP EDGES					
ANGULAR DIM. $\pm 1^\circ$							

REQ. PER UNIT	MODEL	PROJECT NO.	ASS'Y. NO.	DATE

REQ. ITEM	PART NO.	DESCRIPTION	SYMBOL
		THE TECHNICAL MATERIEL CORP. MAMARONECK, NEW YORK	
		CAPACITOR, FIXED, VACUUM 1000 MMFD.	
		16 ²¹ /59	
		DRAWN	CHECKED
			FINAL APPROVAL
			CO-103

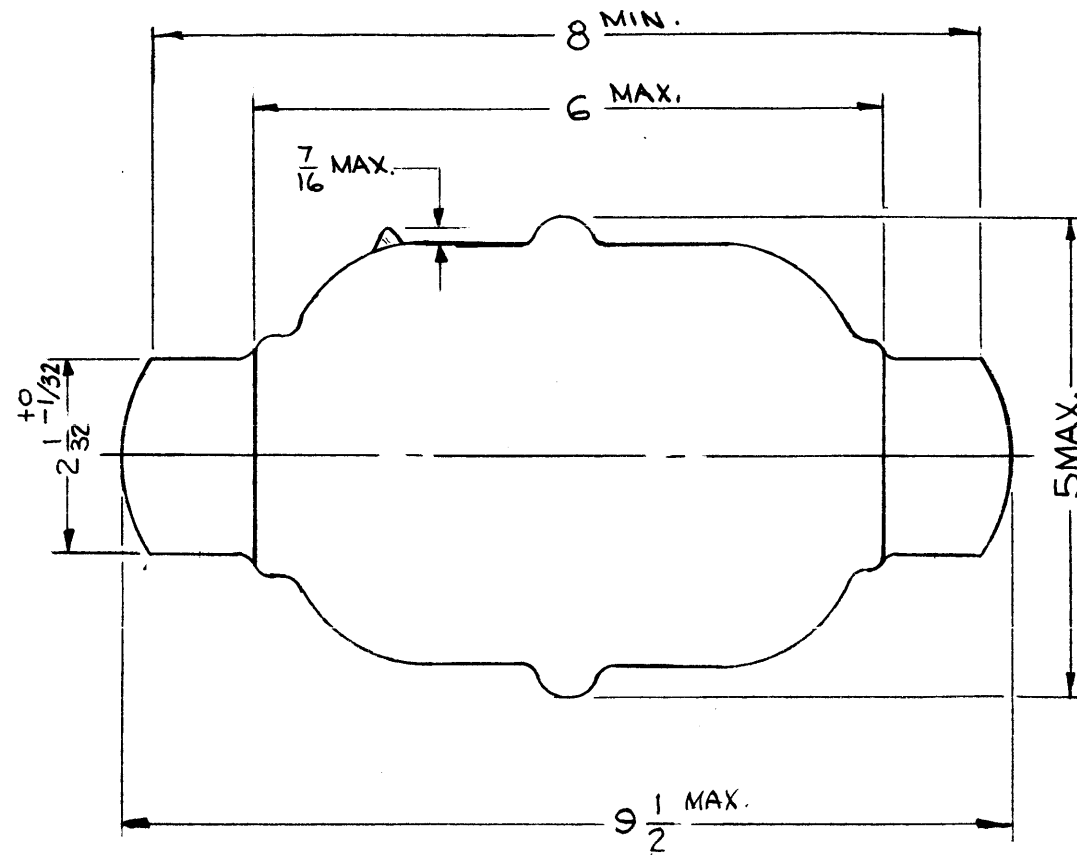
CO 106 B

CHART 1 CAPACITANCE AVAILABLE	
TMC CODE	CAP. IN MMFD
500	500
750	750
1000	1000

CHART 2 VOLTAGE AVAILABLE	
TMC CODE	VOLTAGE (Peak)
25	25 KV
30	30 KV

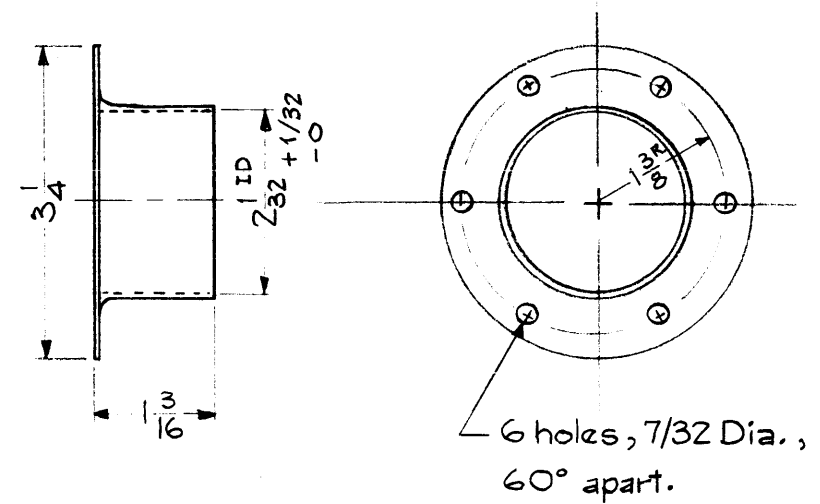
CHART 3 FLANGE ARRANGEMENT	
TMC CODE	Arrangement and Flange Quantity
A	Two Flanges both welded to ends.
B	One Flange welded to end.
C	No Flanges

NOTE: Current Rating - 125 Amps RMS



NOTE: This Flange Required Only when called for in Part No. as per Flange Arrangement Chart.

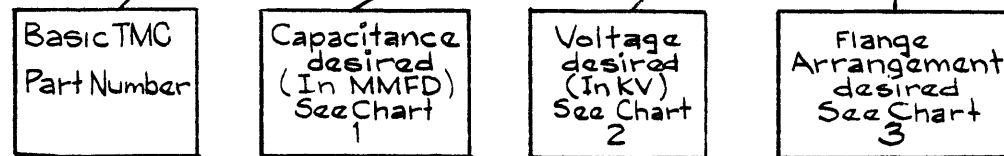
— FLANGE MOUNT —



Material - .062 Copper Silver Plated.
(Type FM2D)
W/O LOCKING DEVICE

TMC PART NO. TO BE IN FOLLOWING FORM:

CO 106 - 1000 - 25 C



Ref Note -

When this Capacitor Requires loose Mtg. Flanges, Use TMC Dwg: No. PO 185-4 for both ends.

ISSUE	ITEM	CHANGED FROM	DATE	CH. NO.	DRAFTS	CHECKER	ENG. APP.
B	4	7-1/8 ± 1/4, 7/8 DIM DELETED	1-19-66	15545	MLC	JCB	aa
	3	6 E B DIM ADDED					
	2	9-1/2 MAX WAS 9-1/4 ± 1/4					
A	1	TOL. ADDED ON 2-1/32 DIM	11-6-61	5815	GDL	JCB	aa
	2	ON TOL. CHART-1/32 & 1" ADDED					
	1	LOCKING DEVICE DELETED					

TOLERANCES		SCALE:
DEC. DIM. ±	1	5-401-48 (MLC)
FRAC. DIM. ±	32	
ANGULAR DIM. ±	10	

MAXIMUM ALLOWABLE TOLERANCES HAVE BEEN DETERMINED AND ANY DEVIATIONS WILL BE CAUSE FOR REJECTION. REMOVE ALL BURRS AND SHARP EDGES

Example = CO-106-1000-25-C = Capacitor, Fixed, Vacuum, 1000 mmfd, 25 kv, No flanges.

REQ. PER UNIT	MODEL	PROJECT NO.	ASS'Y. NO.	DATE
1	GPT-40K			12-15-59
USED ON				

REQ. ITEM	PART NO.	DESCRIPTION	SYMBOL
		THE TECHNICAL MATERIEL CORP. MAMARONECK, NEW YORK	
		STOCK SIZE	
		CAPACITOR, FIXED, VACUUM (25KV or 30KV)	
		MATERIAL	
		TYPE & TEMPER	
		HEAT TREAT. SPEC.	
		FINISH & SPEC. NO.	
		DRAWN	CHECKED
		ELEC. DES. APP.	MECH. DES. APP.
		CO 106	B

CO-107 C

CHART 1

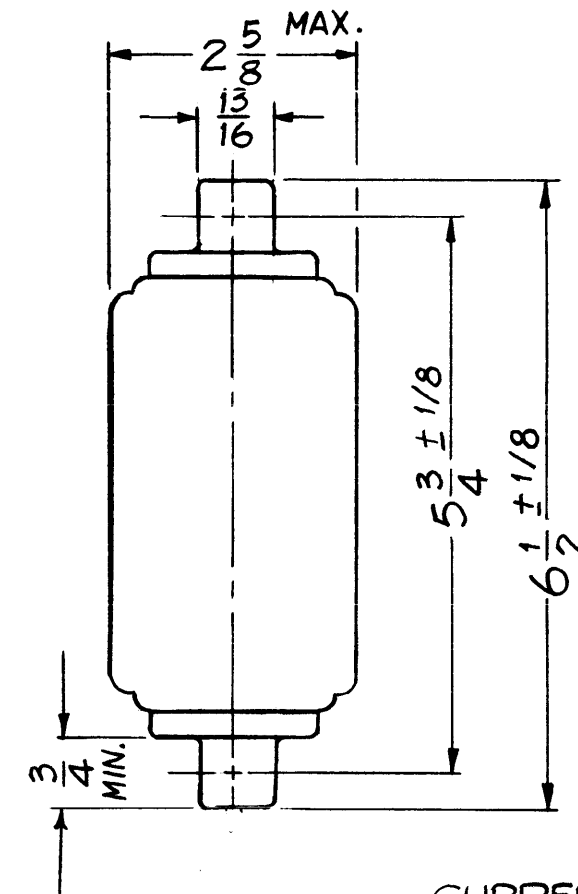
CAPACITANCE AVAILABLE	
TMC CODE	CAP. IN MMFD
6	6
12	12
25	25
50	50
75	75
100	100
150	150
200	200
250	250

CHART 2

VOLTAGE AVAILABLE	
TMC CODE	VOLTAGE (PEAK)
20	20KV
30	30KV
35	35KV

CHART 3

FLANGE ARRANGEMENT	
TMC CODE	ARRANGEMENT & FLANGE QUAN.
A	TWO FLANGES BOTH WELDED TO ENDS
B	ONE FLANGE WELDED TO END
C	NO FLANGES



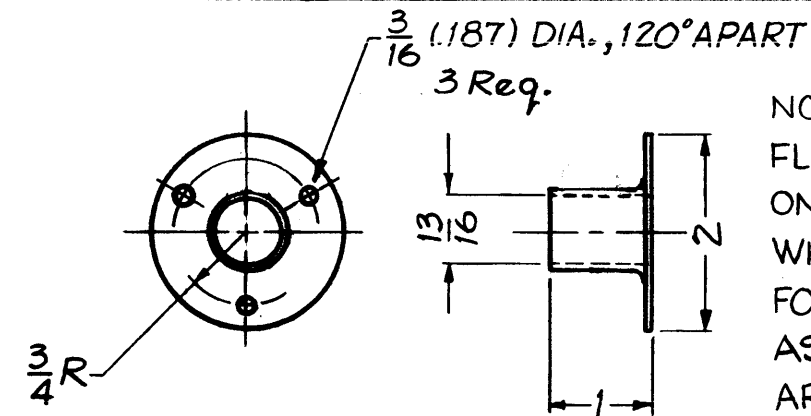
CURRENT RATING
60 AMPS RMS

NOTICE TO PERSONS RECEIVING THIS DRAWING

THE TECHNICAL MATERIEL CORPORATION claims proprietary right in the material disclosed herein. This drawing is issued in confidence for engineering information only and may not be reproduced or used to manufacture anything shown herein without permission from THE TECHNICAL MATERIEL CORPORATION to the user. This drawing is loaned for mutual assistance and is subject to recall at any time.

Property of:
THE TECHNICAL MATERIEL CORPORATION
MAMARONECK, NEW YORK

NOTE ~
WHEN THIS CAPACITOR REQUIRES LOOSE MOUNTING FLANGES, USE TMC DWG. NO. PO-185-9 FOR BOTH ENDS.



NOTE ~ THIS FLANGE IS ONLY USED WHEN CALLED FOR IN PT. NO. AS PER FLANGE ARRANGEMENT CHART.

(TYPE FMØA)
FLANGE MOUNT
.032 COPPER ~ SILVER PLATED
W/O LOCKING DEVICE

TMC PART NO. TO BE IN THE FOLLOWING FORM ~

CO-107-250-30-C

BASIC TMC NO.

CAPACITANCE
SEE CHART 1

VOLTAGE
SEE
CHART
2

FLANGE
SEE
CHART
3

ISSUE	ITEM	CHANGED FROM	DATE	CH. NO.	DRAFTS	CHECKER	ENG. APP.
C	1	Locking Device Deleted	11-6-61	5815	EG	[Signature]	[Signature]
B	1	MFR PART NO WAS VCCE	5/12/61	4894	JR	[Signature]	[Signature]
A	1	35 Added to Chart 2	3-30-61	4554	RU	[Signature]	[Signature]

TOLERANCES: SCALE: 5401-48 (VC COPPER TYPE)

DEC. DIM. ±
FRAC. DIM. ±
ANGULAR DIM. ±

MAXIMUM ALLOWABLE TOLERANCES HAVE BEEN DETERMINED AND ANY DEVIATIONS WILL BE CAUSE FOR REJECTION. REMOVE ALL BURRS AND SHARP EDGES

REQ. PER UNIT	MODEL	PROJECT NO.	ASS'Y. NO.	DATE

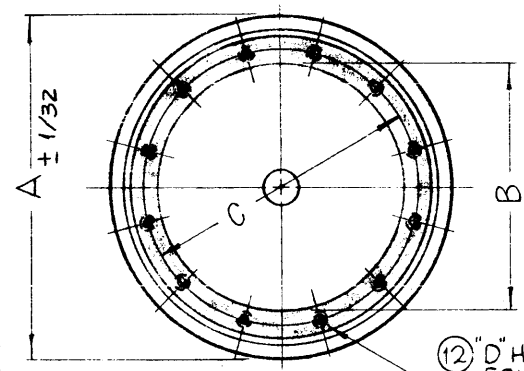
REQ. ITEM	PART NO.	DESCRIPTION	SYMBOL
		THE TECHNICAL MATERIEL CORP. MAMARONECK, NEW YORK	
		CAPACITOR, FIXED, VACUUM	
		J.C. Biele [Signature]	[Signature]
		TYPE & TEMPER HEAT TREAT. SPEC. DRAWN [Signature]	CHECKED [Signature]
		FINISH & SPEC. NO.	ELEC. DES. APP. MECH. DES. APP.

CO-107 C

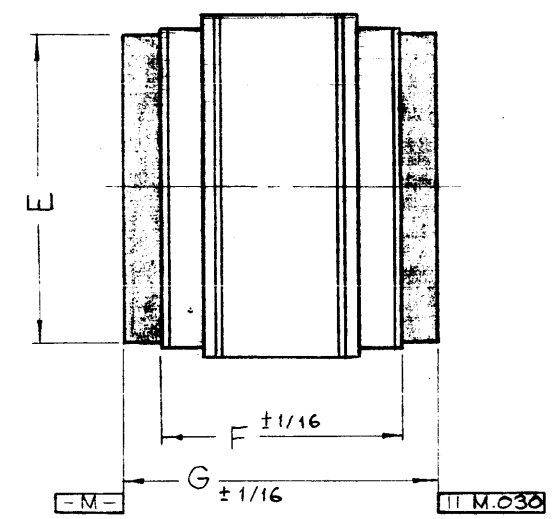
TMC PART NO	MFG. PART NO	CAPACITANCE	VOLT. RATING DF&K KV	CONT. CURRENT	DIMENSIONS TYPICAL BOTH ENDS				E	F	G
					A	B	C	D			
CO-108-1	CFHA	1000 UUF	45KV	200AMP	7"	5-5/32"	5.656	1/4" 20 X 25/64 DP.	6-5/32"	5"	6-1/2"

CO-108

REVISIONS					
SYM	DESCRIPTION	DATE	E.M.N. NO.	DRAFT	CHKD APPD
0	ORIGINAL RELEASE FOR PRODUCTION	5-13-64	0	A.M.	



12" HOLES
EQUALLY SPACED
30° APART
ALIGN WITHIN 0°-30'
TYPICAL BOTH ENDS.



SHADED AREAS INDICATE CONTACT SURFACES.

2	GPT-200K	AX-393
Q'TY./UNIT	MODEL USED ON	ASS'Y. NO.
SCALE	CODE	S401-48 (CFH)
	C	

NOTES

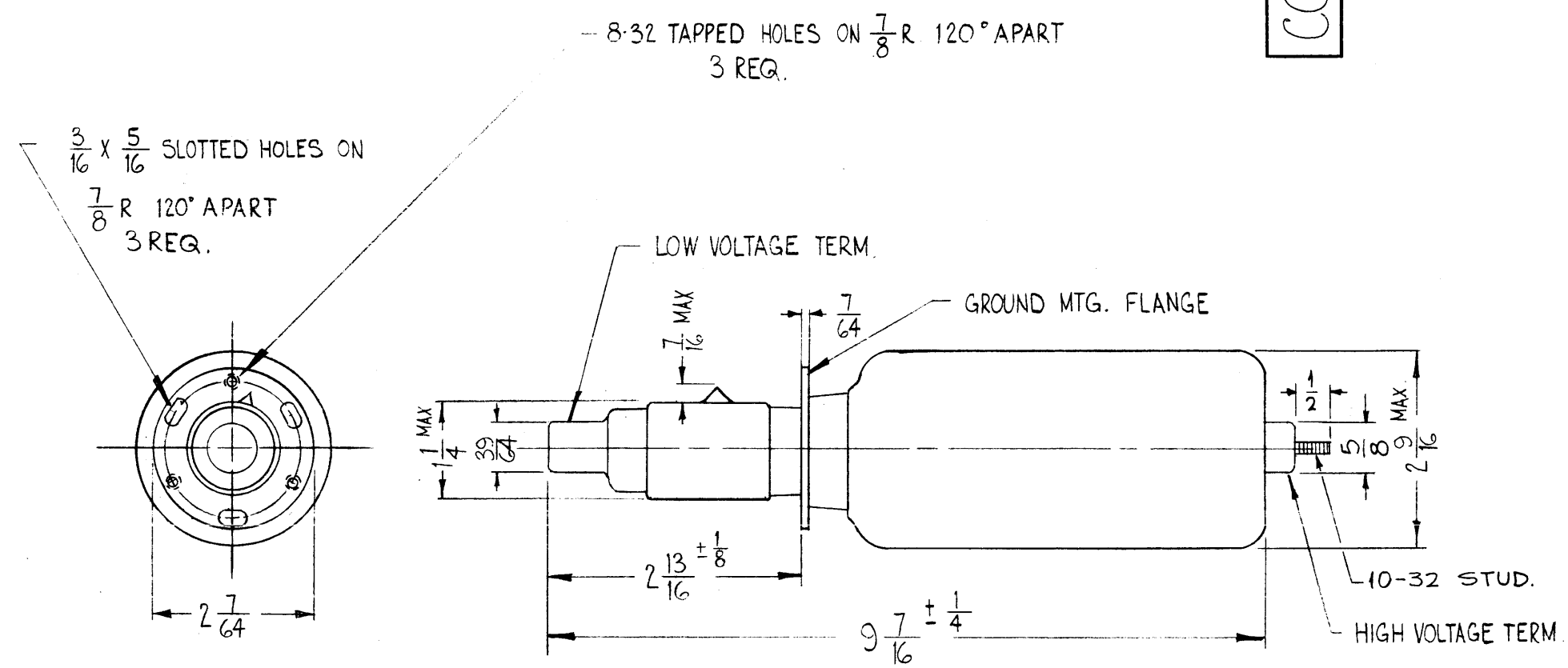
THE CONTENTS OF THIS DRAWING ARE THE EXCLUSIVE PROPERTY OF THE TECHNICAL MATERIEL CORP. ITS UNAUTHORIZED USE OR REPRODUCTION IN WHOLE OR IN PART IS STRICTLY FORBIDDEN.

MATERIAL		THE TECHNICAL MATERIEL CORP. MAMARONECK, NEW YORK			
FINISH		TITLE CAPACITOR, FIXED, VACUUM CERAMIC CASE			
UNLESS OTHERWISE SPECIFIED DIMENSIONS ARE IN INCHES AND INCLUDE CHEMICALLY APPLIED OR PLATED FINISHES		DRAWN John C. Biele	DATE 2/2/63	FINAL APPROVAL DATE	
		CHECKED ca	DATE		
		ELECT. DES. JCB	DATE 2/22/64	CO-108	
		MECH. DES. JCB	DATE 5/13/64	O	
		TOLERANCES		SHEET	
DECIMALS .X ± .05 .XX ± .01 .XXX ± .005		FRACTI NS ± 1/32 ANGLES ± 1°		REV. LTR.	

STANDARD DRAWING

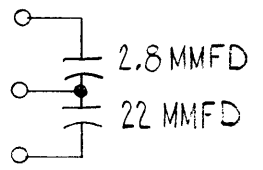
A
CO 110

REVISIONS					
SYM	DESCRIPTION	DATE	E.M.N. NO.	DRAFT	CHKD APPD
X2	STUD ADDED	2-28-64			
O	ORIGINAL RELEASE FOR PRODUCTION	5-18-64		SRG	
A	DIM 5/8 WAS 13/64.	1/4/66	15484	X.V.V.	JVS 09



~ SPECIFICATIONS ~

PEAK RF KILOVOLTS ~ 60
MAX. CURRENT ~ 12.5 RMS AMPS



NOTES

2	GPT-200K	AX 395
Q'TY./UNIT	MODEL USED ON	ASS'Y. NO.
SCALE HALF (DO NOT SCALE)	CODE S401-48 (VDF 2.8)	

THE CONTENTS OF THIS DRAWING ARE THE EXCLUSIVE PROPERTY OF THE TECHNICAL MATERIEL CORP. ITS UNAUTHORIZED USE OR REPRODUCTION IN WHOLE OR IN PART IS STRICTLY FORBIDDEN.

REQ'D.	ITEM	PART NUMBER	DESCRIPTION	SYMBOL
F. BUDETTI LIST OF MATERIAL				
MATERIAL			THE TECHNICAL MATERIEL CORP. MAMARONECK, NEW YORK	
FINISH			TITLE CAPACITOR, FIXED	
UNLESS OTHERWISE SPECIFIED DIMENSIONS ARE IN INCHES AND INCLUDE CHEMICALLY APPLIED OR PLATED FINISHES			DRAWN W. A. FRANCO	DATE 8-9-63
			CHECKED aa	DATE
			ELECT. DES. O.R.	DATE 5/15/64
			MECH. DES. JVS	DATE 5/18/64
			FINAL APPROVAL KAC	DATE
			CO 110	A
			SHEET	REV. LTR.