

APPLICATION			REVISIONS						
QTY	MODEL USED ON	ASS'Y NO.	LTR	DESCRIPTION	DATE	E.M.N.NO	DRAFT	CHKD	APPD
1	SPT3K/VHF	AX8081	Ø	ORIG RELEASE FOR PROD	4/11/69	Ø	CV		<i>JL</i>

MFR PART NUMBER: JMF100

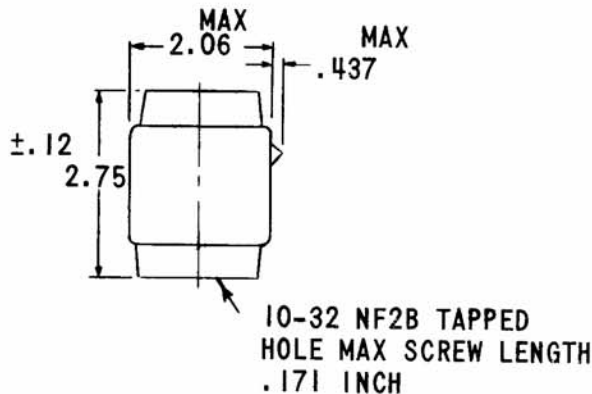
SPECIFICATIONS

CAPACITY: 100pf

PEAK TEST VOLTAGE: 30KV •

WEIGHT: 7 OZ. NOM

MOUNTING: BOTH ENDS HAVE 10-32 TAPPED HOLES



UNLESS OTHERWISE SPECIFIED DIMENSIONS ARE IN INCHES AND INCLUDE CHEMICALLY APPLIED OR PLATED FINISHES		REQ'D	ITEM	PART NUMBER	DESCRIPTION	SYM.	
DECIMALS: .X ± .05, .XX ± .01, .XXX ± .005 FRACTIONS: 1/64 TOLS. ANGLES: 0° - 30'		LIST OF MATERIAL					
MATERIAL		FINAL APPROVAL <i>JL</i>		DATE 4-11-69	<b>THE TECHNICAL MATERIEL CORP.</b> MAMARONECK, NEW YORK  CAPACITOR, FIXED, VACCUM		
FINISH		MECH. DES. <i>JL</i>		DATE 4/11/69			
S401-48 (JMF100)		ELECT. DES.		DATE			
		CHECKED <i>JL</i>		DATE 4/11/69			
		DRAWN <i>JL</i>		DATE 4/11/69			
NOTICE TO PERSONS RECEIVING THIS DRAWING THE TECHNICAL MATERIEL CORPORATION claims proprietary right in the material disclosed hereon. This drawing is issued in confidence for engineering information only and may not be reproduced or used to manufacture anything shown hereon without permission from THE TECHNICAL MATERIEL CORPORATION to the user. This drawing is loaned for mutual assistance and is subject to recall at any time.				SIZE <b>A</b>	CODE IDENT. NO. <b>82679</b>	DWG NO. <b>CO 8001</b>	ISSUE <b>Ø</b>
				SCALE	SHEET OF		