

CO-107 C

CHART 1

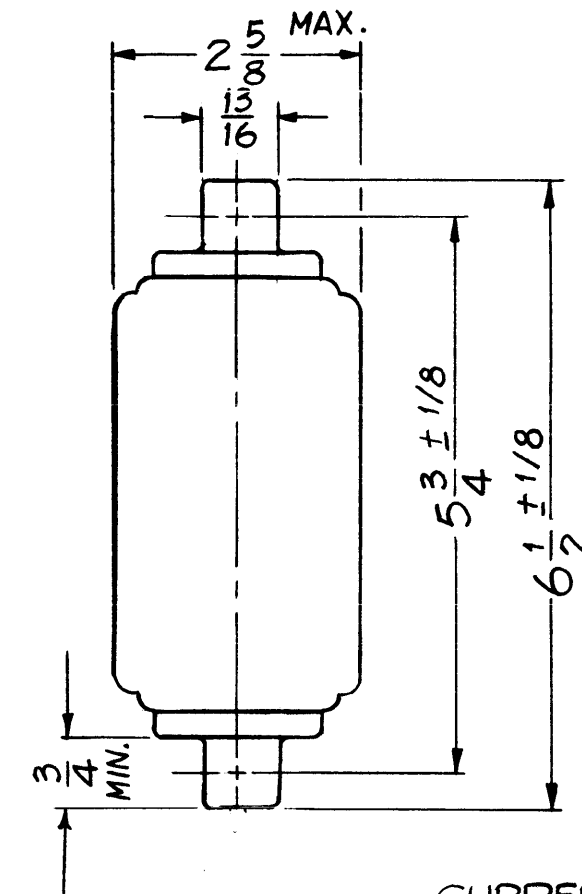
CAPACITANCE AVAILABLE	
TMC CODE	CAP. IN MMFD
6	6
12	12
25	25
50	50
75	75
100	100
150	150
200	200
250	250

CHART 2

VOLTAGE AVAILABLE	
TMC CODE	VOLTAGE (PEAK)
20	20KV
30	30KV
35	35KV

CHART 3

FLANGE ARRANGEMENT	
TMC CODE	ARRANGEMENT & FLANGE QUAN.
A	TWO FLANGES BOTH WELDED TO ENDS
B	ONE FLANGE WELDED TO END
C	NO FLANGES



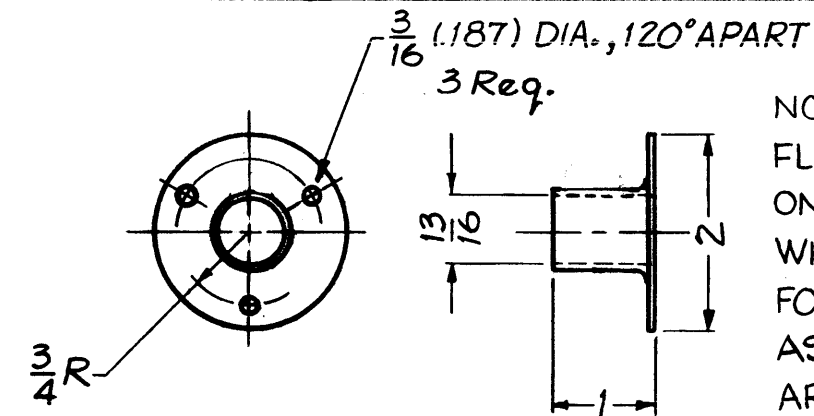
CURRENT RATING
60 AMPS RMS

NOTICE TO PERSONS RECEIVING THIS DRAWING

THE TECHNICAL MATERIEL CORPORATION claims proprietary right in the material disclosed herein. This drawing is issued in confidence for engineering information only and may not be reproduced or used to manufacture anything shown herein without permission from THE TECHNICAL MATERIEL CORPORATION to the user. This drawing is loaned for mutual assistance and is subject to recall at any time.

Property of:
THE TECHNICAL MATERIEL CORPORATION
MAMARONECK, NEW YORK

NOTE ~
WHEN THIS CAPACITOR REQUIRES LOOSE MOUNTING FLANGES, USE TMC DWG. NO. PO-185-9 FOR BOTH ENDS.



NOTE ~ THIS FLANGE IS ONLY USED WHEN CALLED FOR IN PT. NO. AS PER FLANGE ARRANGEMENT CHART.

(TYPE FMØA)
FLANGE MOUNT
.032 COPPER ~ SILVER PLATED
W/O LOCKING DEVICE

TMC PART NO. TO BE IN THE FOLLOWING FORM ~

CO-107-250-30-C

BASIC TMC NO.

CAPACITANCE
SEE CHART 1

VOLTAGE
SEE CHART 2

FLANGE
SEE CHART 3

ISSUE	ITEM	CHANGED FROM	DATE	CH. NO.	DRAFTS	CHECKER	ENG. APP.
C	1	Locking Device Deleted	11-6-61	5815	EG	[Signature]	[Signature]
B	1	MFR PART NO WAS VCCE	5/12/61	4894	JR	[Signature]	[Signature]
A	1	35 Added to Chart 2	3-30-61	4554	RU	[Signature]	[Signature]

TOLERANCES
DEC. DIM. ±
FRAC. DIM. ±
ANGULAR DIM. ±

SCALE: 5401-48 (VC COPPER TYPE)

MAXIMUM ALLOWABLE TOLERANCES HAVE BEEN DETERMINED AND ANY DEVIATIONS WILL BE CAUSE FOR REJECTION. REMOVE ALL BURRS AND SHARP EDGES

REQ. PER UNIT	MODEL	PROJECT NO.	ASS'Y. NO.	DATE

REQ. ITEM	PART NO.	DESCRIPTION	SYMBOL
		THE TECHNICAL MATERIEL CORP. MAMARONECK, NEW YORK	
		CAPACITOR, FIXED, VACUUM	
		J.C. Biele [Signature]	[Signature]
		TYPE & TEMPER HEAT TREAT. SPEC. DRAWN CHECKED FINAL APPROVAL	
		Em [Signature]	CO-107 C
		FINISH & SPEC. NO. ELEC. DES. APP. MECH. DES. APP.	