

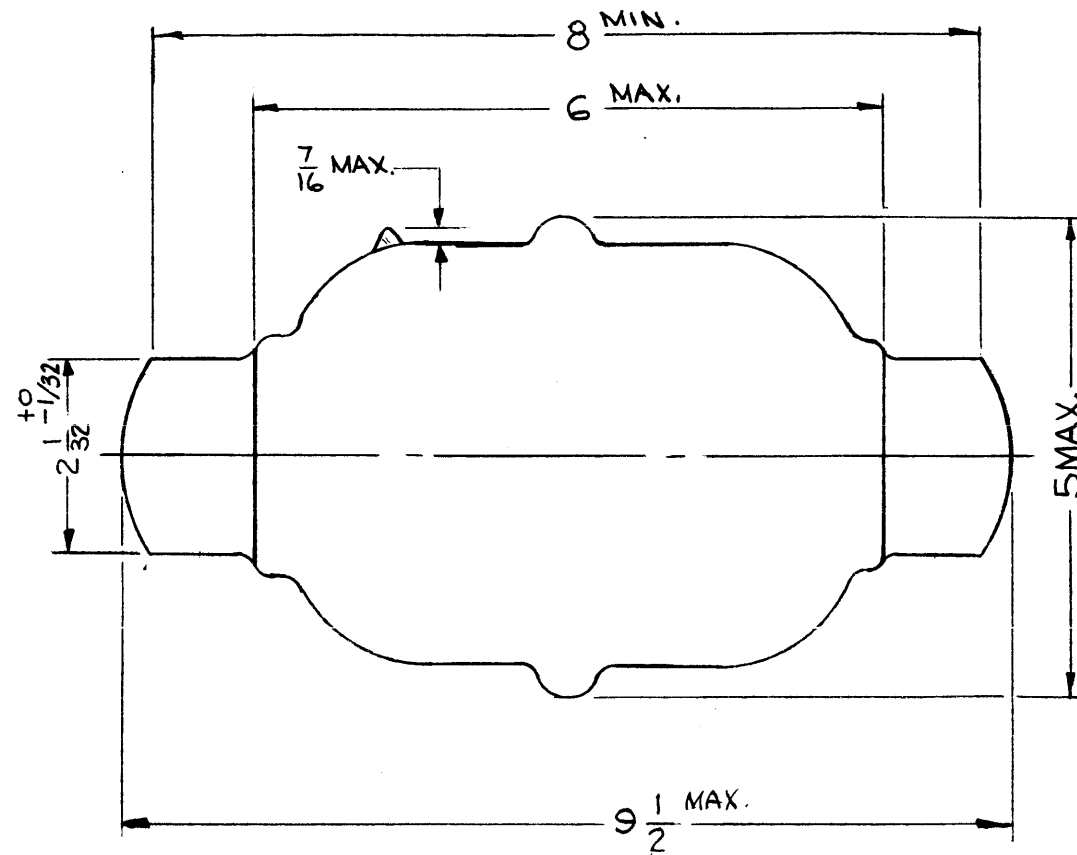
CO 106 B

CHART 1 CAPACITANCE AVAILABLE	
TMC CODE	CAP. IN MMFD
500	500
750	750
1000	1000

CHART 2 VOLTAGE AVAILABLE	
TMC CODE	VOLTAGE (Peak)
25	25 KV
30	30 KV

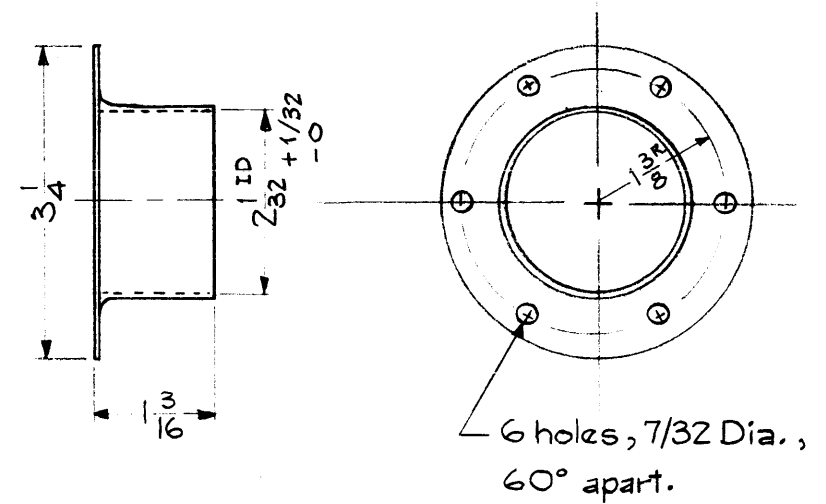
CHART 3 FLANGE ARRANGEMENT	
TMC CODE	Arrangement and Flange Quantity
A	Two Flanges both welded to ends.
B	One Flange welded to end.
C	No Flanges

NOTE: Current Rating - 125 Amps RMS



NOTE: This Flange Required Only when called for in Part No. as per Flange Arrangement Chart.

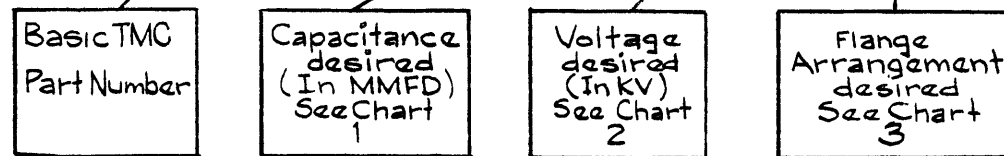
—FLANGE MOUNT—



Material - .062 Copper Silver Plated.
(Type FM2D)
W/O LOCKING DEVICE

TMC PART NO. TO BE IN FOLLOWING FORM:

CO 106 - 1000 - 25 C



Example = CO-106-1000-25-C = Capacitor, Fixed, Vacuum, 1000 mmfd, 25 kv, No flanges.

Ref Note -

When this Capacitor Requires loose Mtg. Flanges, Use TMC Dwg: No. PO 185-4 for both ends.

ISSUE	ITEM	CHANGED FROM	DATE	CH. NO.	DRAFTS	CHECKER	ENG. APP.
B	4	7-1/8 ± 1/4, 7/8 DIM DELETED	1-19-66	15545	MLC	JCB	aa
	3	6 E B DIM ADDED					
	2	9-1/2 MAX WAS 9-1/4 ± 1/4					
A	1	TOL. ADDED ON 2-1/32 DIM	11-6-61	5815	GDL	JCB	aa
	2	ON TOL. CHART-1/32 & 1" ADDED					
	1	LOCKING DEVICE DELETED					

TOLERANCES		SCALE:
DEC. DIM. ±	1/32	S-401-48 (MLC)
FRAC. DIM. ±	1/32	
ANGULAR DIM. ±	10	

MAXIMUM ALLOWABLE TOLERANCES HAVE BEEN DETERMINED AND ANY DEVIATIONS WILL BE CAUSE FOR REJECTION. REMOVE ALL BURRS AND SHARP EDGES

REQ. PER UNIT	MODEL	PROJECT NO.	ASS'Y. NO.	DATE
1	GPT-40K			12-15-59
USED ON				

REQ. ITEM	PART NO.	DESCRIPTION	SYMBOL
		THE TECHNICAL MATERIEL CORP. MAMARONECK, NEW YORK	
		STOCK SIZE	
		CAPACITOR, FIXED, VACUUM (25KV or 30KV)	
		MATERIAL	
		TYPE & TEMPER	
		HEAT TREAT. SPEC.	
		FINISH & SPEC. NO.	
		ELEC. DES. APP.	
		MECH. DES. APP.	

Example: ELEC. DES. APP. [Signature], MECH. DES. APP. [Signature], DATE 12-15-59, DRAWN [Signature], CHECKED [Signature], FINAL APPROVAL [Signature]