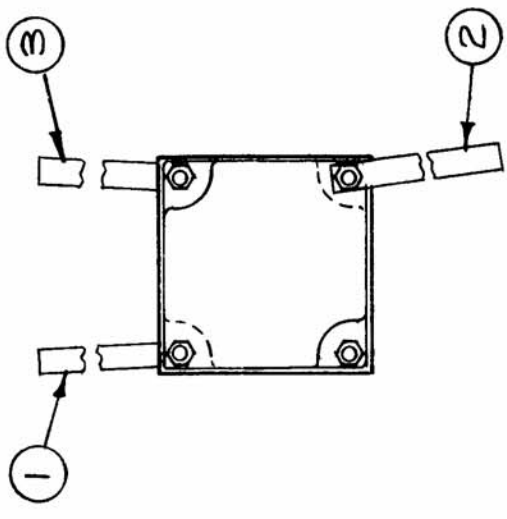
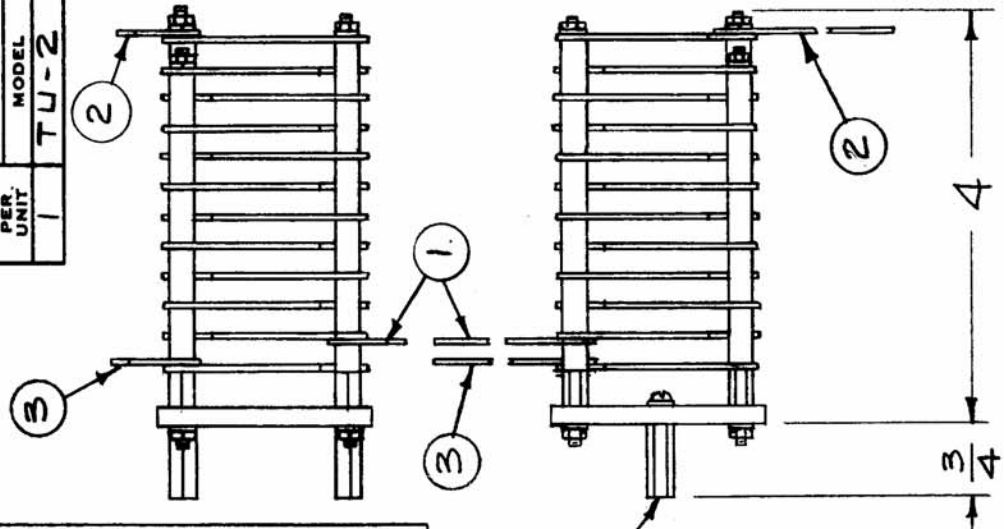
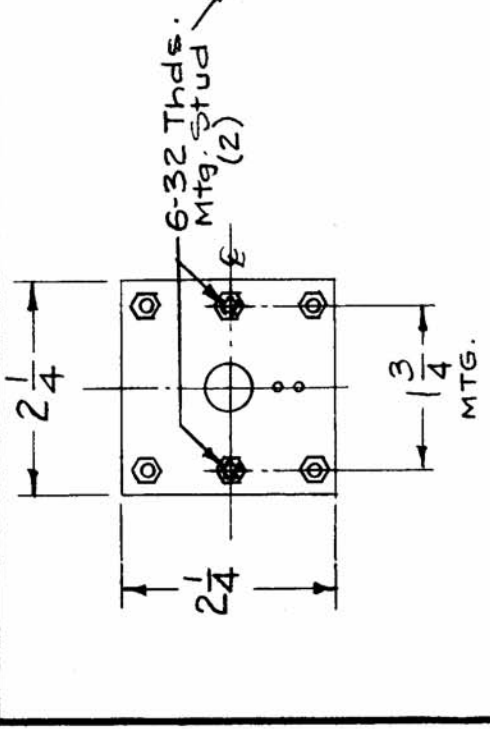
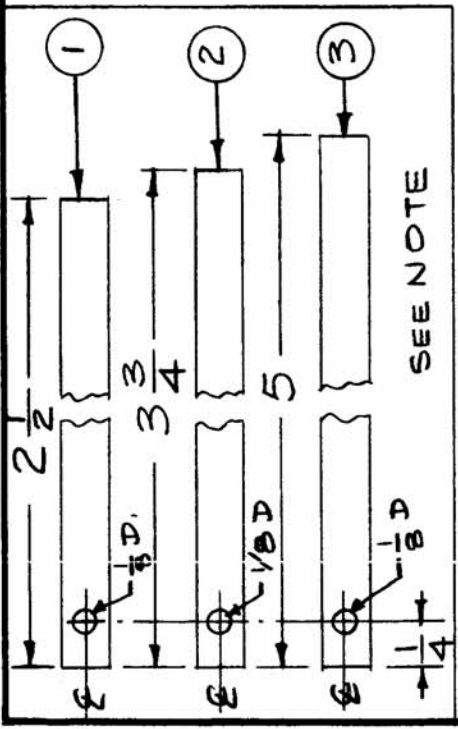


REQ. PER. UNIT	MODEL	USED ON	ASSY. NO.	DATE	CO-105	A
1	TU-2			10-14-59		

NOTE - Straps (1), (2), & (3) to be 1/4 WIDE X .025 THK. COPPER, SILVER PLATED, (.0003 THK), with dimensions as shown in detail.



CAPACITY - 46 μuf
NO. OF PLATES - 12
AIR GAP - .250"

ISSUE ITEM	CHANGED FROM	DATE	CH. NO.	DRAFTS	CHECKER	ENG. APP.	SCALE	TOLERANCES																		
A 1	Redrawn, Revised, Clarified, Straps Moved	19/4/59	1431	16	<i>[Signature]</i>	<i>[Signature]</i>	5401-65 (9705 MOD)	MAXIMUM ALLOWABLE TOLERANCES HAVE BEEN DETERMINED AND ANY DEVIATIONS WILL BE CAUSE FOR REJECTION. REMOVE ALL BURRS AND SHARP EDGES																		
<table border="1"> <tr> <td>RE-DRAWN</td> <td>16/14/59</td> <td>CHECKED</td> <td><i>[Signature]</i></td> <td>FINAL APPROVAL</td> <td><i>[Signature]</i></td> </tr> <tr> <td colspan="2">ELEC. DES. APP.</td> <td colspan="2">MECH. DES. APP.</td> <td colspan="2">DES. APP.</td> </tr> </table>								RE-DRAWN	16/14/59	CHECKED	<i>[Signature]</i>	FINAL APPROVAL	<i>[Signature]</i>	ELEC. DES. APP.		MECH. DES. APP.		DES. APP.		<table border="1"> <tr> <td>RE-DESIGN</td> <td>16/14/59</td> <td>CHECKED</td> <td><i>[Signature]</i></td> <td>FINAL APPROVAL</td> <td><i>[Signature]</i></td> </tr> </table>	RE-DESIGN	16/14/59	CHECKED	<i>[Signature]</i>	FINAL APPROVAL	<i>[Signature]</i>
RE-DRAWN	16/14/59	CHECKED	<i>[Signature]</i>	FINAL APPROVAL	<i>[Signature]</i>																					
ELEC. DES. APP.		MECH. DES. APP.		DES. APP.																						
RE-DESIGN	16/14/59	CHECKED	<i>[Signature]</i>	FINAL APPROVAL	<i>[Signature]</i>																					
TOLERANCES		DEC. DIM. ±		FRAC. DIM. ±		ANGULAR DIM. ±																				
SYMBOL		DESCRIPTION		THE TECHNICAL MATERIEL CORP. MAMARONECK, NEW YORK		CAPACITOR, FIXED, AIR, 46 μuf.																				
PART NO.		STOCK SIZE		MATERIAL		FINISH & SPEC. NO.																				
REQ. ITEM		TYPE & TEMPER		HEAT TREAT. SPEC.		FINISH & SPEC. NO.																				