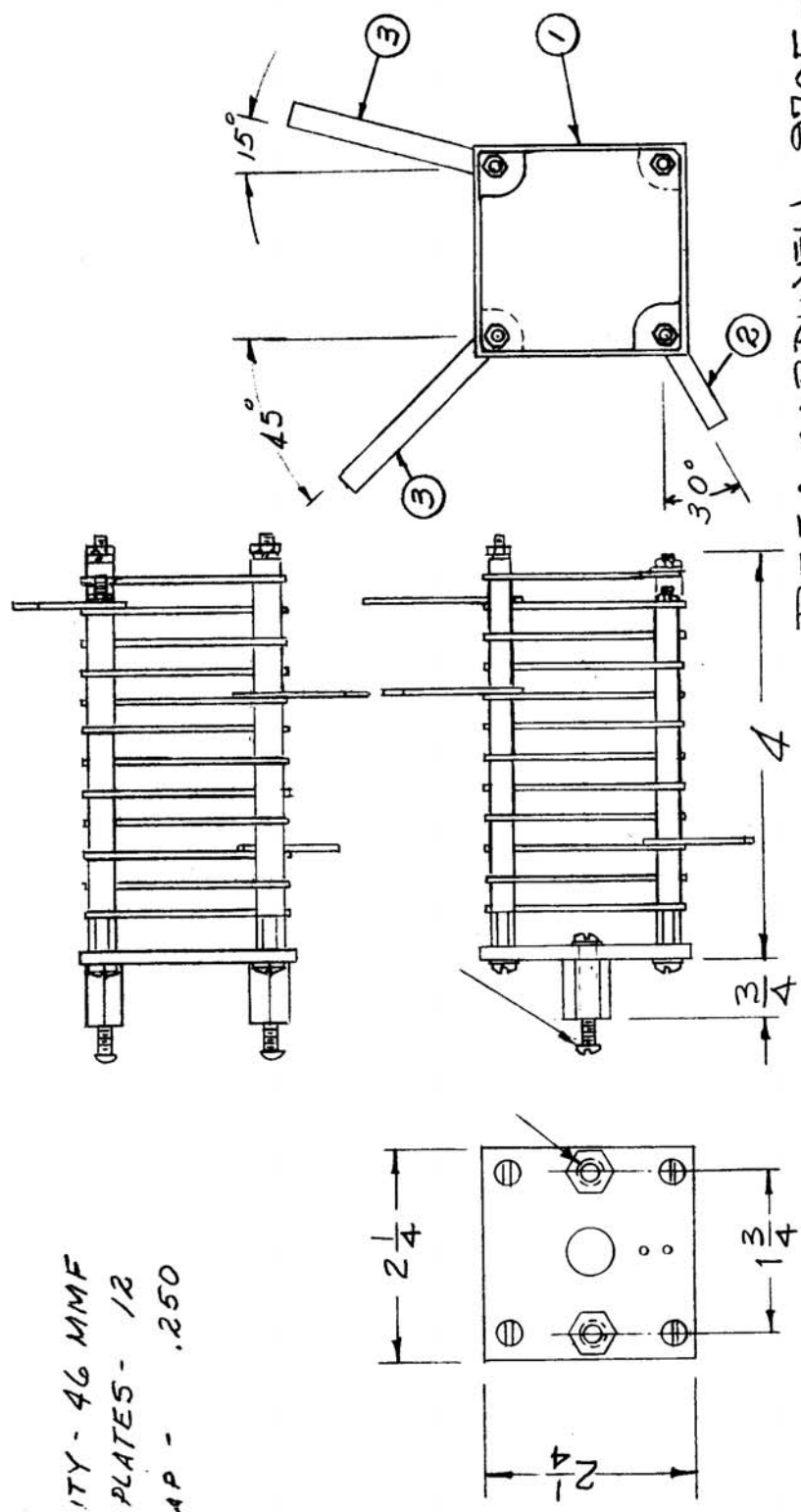


CO-100 A

USED ON  
 MODEL  
 ASSY. NO.  
 DATE  
 AT5-TU  
 4/5/58

CAPACITY - 46 MMF  
 No. OF PLATES - 12  
 AIR GAP - .250



REF: CARDWELL 9705-1

REQ. ITEM	PART NO.	DESCRIPTION	SYMBOL
2	3 MS-203-3-2.75	LEAD, CONNECTING, 1/4 WIDE	
1	2 MS-203-3-1.25	LEAD, CONNECTING, 1/4 WIDE	
1	As SHOWN	CAPACITOR,	

THE TECHNICAL MATERIEL CORP. MAMARONECK, NEW YORK	
CAPACITOR, FIXED, AIR	
STOCK SIZE	
MATERIAL	
TYPE & TEMPER	HEAT TREAT. SPEC.
FINISH & SPEC. NO.	

ISSUE ITEM	CHANGED FROM	DATE	CH. NO.	DRAFTS	CHECKER	ENG. APP.
A 1	REDESIGNED	9/6/58	1	ave	J. DeSar	

SCALE:	
MAXIMUM ALLOWABLE TOLERANCES HAVE BEEN DETERMINED AND ANY DEVIATIONS WILL BE CAUSE FOR REJECTION. REMOVE ALL BURRS AND SHARP EDGES	
DEC. DIM. ±	
FRAC. DIM. ±	
ANGULAR DIM. ±	

TYPE & TEMPER	HEAT TREAT. SPEC.
FINISH & SPEC. NO.	

DRAWN: *HS*  
 CHECKED: *J. DeSar*  
 FINAL APPROVAL: *J. DeSar*  
 CO-100 A