

IF IT IS FOUND DESIRABLE TO CHANGE ANY TOLERANCES OR OTHER DETAIL SPECIFIED ON THIS DRAWING NOTIFY THE PURCHASER PROMPTLY.

MAXIMUM ALLOWABLE TOLERANCES HAVE BEEN DETERMINED AND DEVIATIONS WILL BE CAUSE FOR REJECTION. REMOVE ALL BURRS AND SHARP EDGES

TYPE DESIGNATION TO BE IN FOLLOWING FORM

CN-104 E 471 M

COMPONENT VOLTAGE CAPACITY TOLERANCE (PF)

CN104†
CN105
(SEE NOTE)
CN 106†
CN 107

CAP. µF	VOLTS	D		L		D DIA.	L LENGTH
		DIA.	LENGTH	DIA.	LENGTH		
.001	100 200	.173	23/32	.173	3/16		
.0015	100 200						
.0022	100 200						
.0033	100 200						
.0047	100 200						
.0062	100 200						
.01	100 200						
.015	100 200	.193		.193			
.022	100 200	.233		.233	23/32		
.033	100 200	.233		.233	23/32		
.047	100 200	.313	29/32	.313	29/32		
.062	100 200	.313	29/32	.313	23/32		
.1	100 200	.400	1 1/16	.400	1 1/8		
.15	100 200	.400	7/8	.400	3/4		
.22	100 200	.500	1 1/8	.500	15/16		
.33	100 200	.500	1 1/4	.500	1 1/8		
.47	100 200	.500	1 3/8	.500	1 1/2		
.68	100 200	.608	1 3/8	.608	1 1/16		
1.00	100 200	.748	1 3/4	.748	1 3/4		
2.00	100 200	.868	2 1/4	.868	1 5/16		
	400 600	1.00	2 3/16	1.00	2 3/16		

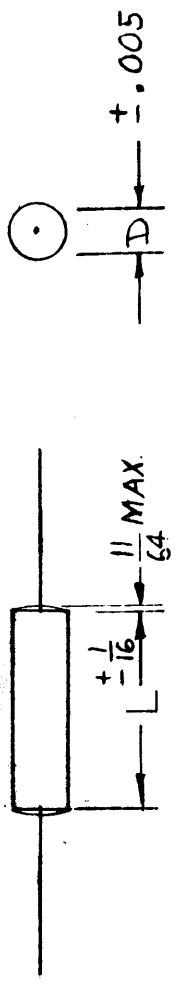
* CAPACITANCE VALUES OTHER THAN LISTED ABOVE BUT WITHIN THE LIMITS OF THE CHART ARE AVAILABLE IN TOL.M WITHOUT EXTRA COST, COMPARED TO STD. VALUES IN TOL.M.

† CN104 IS 1/16 SHORTER THAN CN105.
CN106 IS 1/16 SHORTER THAN CN107

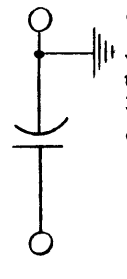
NOTE: 1- LAST DIGIT INDICATES NUMBER OF ZEROS

STANDARD DRAWING

DIMENSIONS



CIRCUITS



TYPES CN104, CN106 ONE END GROUNDDED



TYPES CN105, CN107 BOTH ENDS INSULATED

SPECIFICATIONS-

- 1- MYLAR DIELECTRIC
- 2- MIRACLE X IMPREGNATED.
- 3- TYPES CN104, CN105 EXTENDED FOIL CONSTRUCTION RECOMMENDED FOR APPLICATIONS WHERE RESONANT LOSSES MUST BE SERIOUSLY CONSIDERED & WHERE VOLTAGES LESS THAN 10V. ARE APPLIED TO CAP.)
- 4- TYPES CN106, CN107 ARE TAB CONSTRUCTION.
- 5- OPER. TEMP. RANGE - 65° TO +165° C.
- 6- LEADS - SOLID TINNED WIRE 1 1/4" ± 0"
- 7- 2A AWG UPTO & INCL. .193 DIA.
- 8- 22 AWG " " " .312 " " .400 " " & OVER

MFG. REF:

612G - CN 104
613G - CN 105
614G - CN 106
615G - CN 107

VOLTAGE	STOCK SIZE
B	100
C	200
D	USE "E"
E	400
F	600

TOLERANCE	PERCENTAGE
E	± 0.5%
F	± 1%
G	± 2%
J	± 5%
K	± 10%
M	± 20%

REQ. ITEM	PART NO.	DESCRIPTION	SYMBOL
#	#	THE TECHNICAL MATERIEL CORP.	
MATERIAL	WEIGHT PER PC	MAMARONECK, NEW YORK	
TYPE & TEMPER		CAPACITOR, FIXED (METAL CASE)	
HEAT TREAT. SPEC.		"MYLAR" DIELECTRIC,	
FINISH & SPEC. NO.		CAP. 11/22/54 KZ	

ISSUE ITEM	CHANGED FROM	DATE	CN. NO.	DRAFTS	CHECKER	ENG. APP.
B	COMPLETELY REVISED	4-9-67	18037	L.A.K		
A	NOTES CLARIFIED	7/13/63	10606			

SCALE: 5401-90

DRILL, PUNCH, COMMERCIAL STOCK SIZES AND MANUFACTURERS TOLERANCES ARE NOT INCLUDED.

MECH. DES. APP. **A.J.T.**
ELEC. DES. APP. **A.J.T.**
DRAWN **11/22/54**
CHECKED **11/22/54**
FINAL APPROVAL **CN 104/5/6/7**

PLEASE DO NOT CHANGE ANY TOLERANCE DIMENSIONS SPECIFIED ON THIS DRAWING WITHOUT THE APPROVAL OF THE DRAWING ENGINEER.

STANDARD DRAWING

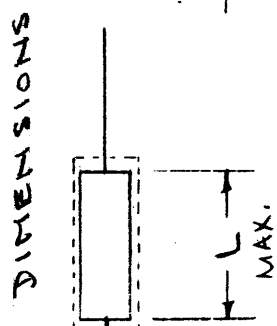
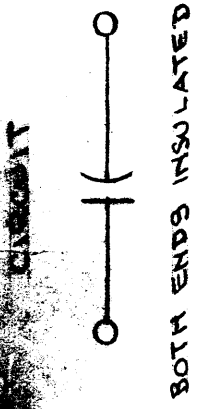
REMOVE ALL BURR AND SHARP EDGES

TYPE DESIGNATION TO THE LEFT

CN 100 D 531

COMPONENT VOLTAGE CAPACITY TOLERANCE (M.M.F.)

(SEE NOTES 1, 2 & 3.)



CAP. * M.F.	VOLTS		CAP. * M.F.	VOLTS	G20	
	100	200			DIA.	LENGTH
.001	100	200	.047	100	200	.423 3/32
.0015	100	200	.068	300	400	.510 1-3/32
	100	200		300	400	.423 1-3/32
.0022	100	200	.10	100	200	.423 1-3/32
	100	200		300	400	.510 1-3/8
.0033	100	200	.15	100	200	.510 1-5/16
	100	200		300	400	.700 1-5/8
.0047	100	200	.22	100	200	.510 1-5/16
	100	200		300	400	.700 1-5/8
.0068	100	200	.33	100	200	.510 1-1/2
	100	200		300	400	.700 1-7/8
.01	100	200	.47	100	200	.510 1-3/4
	100	200		300	400	.888 1-5/8
.015	100	200	.68	100	200	.700 1-5/8
	100	200		300	400	1.140 2-1/8
.022	100	200	1.00	100	200	.700 1-25/32
	100	200		300	400	1.140 2-5/16
.033	100	200	2.00	100	200	.890 2-1/4
	100	200		300	400	.530 13/16
			.25	100		

TOLERANCE	VOLTAGE
E ± 0.5%	A
F ± 1%	B 100
G ± 2%	C 200
J ± 5%	D 300
K ± 10%	E 400
M ± 20%	F 600
	G

* CAPACITANCE VALUES OTHER THAN LISTED ABOVE BUT WITHIN THE LIMITS OF THE CHART ARE AVAILABLE IN TOL. M WITHOUT EXTRA COST, COMPARED TO STANDARD VALUES IN TOL. M

EXP. SHEET REVISED 5-18-60

SPCS. REVISED 5-18-60

"MAX" ADDED TO DIM.

NOTES CLARIFIED

1 .25 UF ADDED

TEXAS CAPACITOR CO ADDED 1/11/60

DATE CN. NO. DRAFTS CHECKER ENG. APP.

SCALE: 3/40-96, 5401-87

TOLERANCES

DEC. DIM. ±

FRAC. DIM. ±

ANGULAR DIM. ±

DRILL, PUNCH, COMMERCIAL STOCK SIZES AND MANUFACTURERS TOLERANCES ARE NOT INCLUDED.

- SPECIFICATIONS -
- 1- MYLAR DIELECTRIC.
 - 2- MIRACLE X IMPREGNATED.
 - 3- OPER. TEMP. RANGE - 65° TO +125° C.
 - 4- EXTENDED FOIL CONSTRUCTION. (RECOMMENDED FOR APPLICATIONS WHERE RESONANT LOSSES MUST BE SERIOUSLY CONSIDERED AND WHERE VOLTAGES LESS THAN 10 V. ARE APPLIED TO THE CAPACITOR)
 - 5- LEADS - 1 1/2" TO 1 3/8" TINNED SOLD WIRE.
 - 22-24 A.W.G. UP TO AND INCL. .243 DIA.
 - 20-22 A.W.G. UP TO AND INCL. .363 "
 - 18-20 A.W.G. UP TO AND INCL. .450 " .8 OVER.
 - 6- TOLERANCE - ± 20% UNLESS OTHERWISE SPECIFIED. MECHANICAL - MAXIMUM DIMENSIONS SHOWN

NOTE:

- 1- LAST DIGIT INDICATES NUMBER OF ZEROS.
- 2- LETTER "R" IF USED SHALL INDICATE DECIMAL POINT.
 - EXAMPLE: CN 108D5R30E (5.3 m.m.f)
- 3- CAPACITANCE SHALL BE SPECIFIED USING THREE DIGITS UNLESS MORE DIGITS ARE REQUIRED.
 - EXAMPLE: CN 108D1973E (197000 m.m.f)
 - CN 108D194E (190000 m.m.f)

REQ. ITEM	PART NO.	DESCRIPTION	SYMBOL
		THE TECHNICAL MATERIEL CORP.	
		MAMARONECK. NEW YORK	
		CAPACITOR, FIXED	
		"MYLAR" (PLASTIC CASE)	
		C.N.D. 10-7-54	KZ
		TYPE & TEMPER	110Z
		WEIGHT PER PC.	
		HEAT TREAT. SPEC.	
		DRWN	A.T.
		ELEC. DES. APP.	
		CHECKED	
		FINAL	
		FILED	

MODEL PROJECT NO. ABSY. NO. DATE

IF IT IS FOUND DESIRABLE TO CHANGE ANY TOLERANCE OR OTHER DETAIL SPECIFIED ON THIS DRAWING NOTIFY THE PURCHASER PROMPTLY.

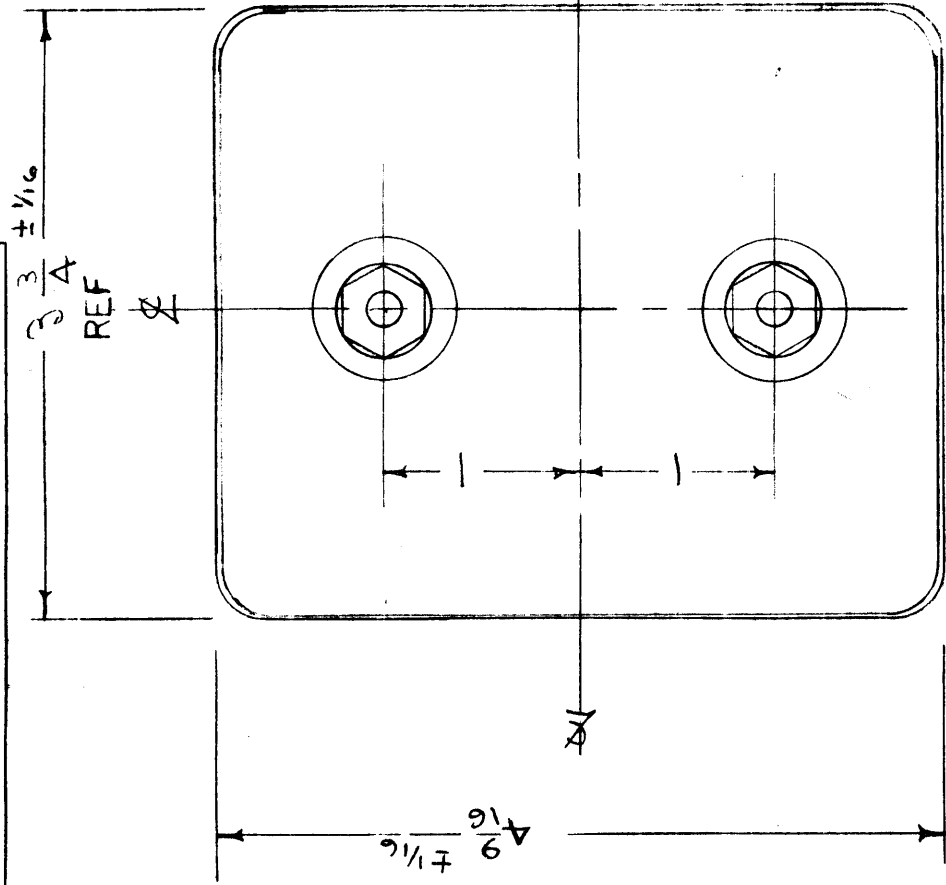
MAXIMUM ALLOWABLE TOLERANCES HAVE BEEN DETERMINED AND DEVIATIONS WILL BE CAUSE FOR REJECTION. REMOVE ALL BURRS AND SHARP EDGES

NOTE: REPLACED BY

CN J28-1



CIRCUIT DIAGRAM



REF. 4.281 MAX.

NOTICE TO PERSONS RECEIVING THIS DRAWING

THE LOCATION OF THIS DRAWING IS PROPRIETARY RIGHT IN THE NAME OF THE ISSUING OFFICE. THIS DRAWING IS ISSUED IN CONFIDENCE AND INFORMATION ONLY AND MAY BE USED FOR REPRODUCTION TO MANUFACTURE ANYTHING SHOWN HEREON WITHOUT PERMISSION FROM THE TECHNICAL MATERIEL CORPORATION TO THE USER. THIS DRAWING IS LOANED FOR MUTUAL ASSISTANCE AND IS SUBJECT TO RECALL AT ANY TIME.

SPECIFICATIONS

CASE: METALLIC, UNINSULATED, HERMETICALLY SEALED.

FINISH: TMC GRAY (SPL) EXCEPT TERMINAL END. MAXIMUM ALTITUDE: 7,500 FEET AT RATED VOLTAGE

TERMINALS: TWO PILLAR INS, 12-2LINC-2A THREAD OR 10-32NF-2A THREAD SUPPLIED WITH ONE NUT, ONE FLAT WASHER AND, ONE LOCK WASHER PER TERMINAL. TERMINAL STRENGTH: TEN LBS PULL, 15 inch lbs TORQUE WITH LOCK NUT.

CAPACITANCE: 4.0 MICROFARADS ± 10% WORKING VOLTAGE: 4,000 VOLTS DC.

VIBRATION: 10 to 55 cps.

APPLICABLE SPECIFICATIONS: MIL-C-25 (CP--ELEM405X1)

MOUNTING DETAIL

BRACKET NO. - CP07SJ4 FINISH - YELLOW IRIDITE OR HOT TIN DIP QUANTITY - TWO

10-32NF-2A THREAD

FOR PURCHASING INFORMATION ONLY

S401-40 (23F929) S401-81 (L1812-2) S401-146 (TJH-107) S401-454 (CC538)

Table with columns: REQ. ITEM, PART NO., STOCK SIZE, MATERIAL, WEIGHT PER PC, TYPE & TEMPER, HEAT TREAT. SPEC., FINISH & SPEC. NO.

Table with columns: ISSUE/ITEM, REVISION, DATE, DRAFT, CHKE, APP, CN. NO., ASSY. NO., PROJECT NO., MODEL, REVISION, DATE, DRAFT, CHKE, APP.

Table with columns: ISSUE/ITEM, REVISION, DATE, DRAFT, CHKE, APP, CN. NO., ASSY. NO., PROJECT NO., MODEL, REVISION, DATE, DRAFT, CHKE, APP.

Table with columns: ISSUE/ITEM, CHANGED FROM, DATE, CN. NO., DRAFTS, CHECKER, ENG. APP., SCALE, TOLERANCES, DEC. DIM. ±, FRAC. DIM. ±, ANGULAR DIM. ±.

CAPACITANCE MFD.	1000 V DCW "G"		1600 V DCW "H"	
	DIA.	LENGTH	DIA.	LENGTH
.001	5/16	1	3/8	1 1/4
.0015	3/8	1 1/4	3/8	1 1/4
.0022	3/8	1 1/4	3/8	1 1/4
.0033	3/8	1 1/4	3/8	1 1/4
.0047	3/8	1 1/4	3/8	1 1/4
.005	3/8	1 1/4	3/8	1 1/4
.0068	3/8	1 1/4	7/16	1 1/4
.01	7/16	1 1/4	1/2	1 1/2
.015	7/16	1 1/4	1/2	1 1/2
.022	1/2	1 1/2	5/8	1 7/8
.033	1/2	1 1/2	5/8	1 7/8
.047	9/16	1 9/16	5/8	1 7/8
.05	9/16	1 9/16	5/8	1 7/8
.068	5/8	1 7/8		
.1	11/16	1 15/16		

FOR VALUES GREATER THAN THOSE INDICATED, REFER TO CX102 AND CP106.

WIRE LEADS	
BODY DIA	AWG. SIZE
5/16 & 3/8	#22
7/16 & 1/2	#20
9/16 - 1"	#18
Inclusive	

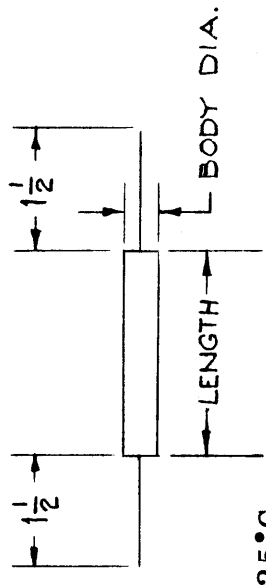
NOTES:

Operating Temp: - 55°C TO +125°C.

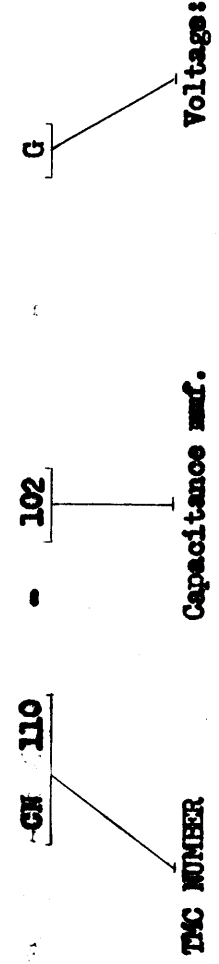
Power Factor: When measured at or referred to 1000 cycles at 25°C, Power factor shall be 1% or less.

TOLERANCE: ±10%

INSULATION RESISTANCE: 20,000MΩ MFD BUT NEED NOT EXCEED 100,000MΩ @ 25°C. 20MΩ MFD BUT NEED NOT EXCEED 200MΩ @ 125°C.



NOMENCLATURE SHOULD BE IN THE FOLLOWING FORM:



Note: Third digit indicates number of zeros. **Example:** 102 = 1,000 μmf = .001 MF

NOTICE TO PERSONS RECEIVING THIS DRAWING

THE TECHNICAL MATERIEL CORPORATION claims proprietary right in the material disclosed hereon. This drawing is issued in confidence for engineering information only and may not be reproduced or used to manufacture anything shown hereon without permission from THE TECHNICAL MATERIEL CORPORATION to the user. This drawing is loaned for mutual assistance and is subject to recall at any time.

Property of:
THE TECHNICAL MATERIEL CORPORATION
MAMARONECK, NEW YORK

ISSUE ITEM	CHANGED FROM	DATE	CH. NO.	DRAFTSMAN	CHECKER	ENG. APP.
A	COMPLETELY REVISED	10/16/55	1499	A.S.J.	J.P.	

TOLERANCES
SCALE: C S401-146 (PKM) c
MAXIMUM ALLOWABLE TOLERANCES HAVE BEEN DETERMINED AND ANY DEVIATIONS WILL BE CAUSE FOR REJECTION. REMOVE ALL BURRS AND SHARP EDGES

REQ. ITEM	PART NO.	DESCRIPTION	SYMBOL
		THE TECHNICAL MATERIEL CORP. MAMARONECK, NEW YORK	
		CAPACITOR, FIXED, PAPER-MYLAR, MOLDED TUBULAR	
		DRAWN: [Signature]	CHECKED: [Signature]
		TYPE & TEMPER: HEAT TREAT. SPEC.	FINAL APPROVAL: [Signature]
		FINISH & SPEC. NO.	CN 110
		ELC. DES. APP. MECH. DES. APP.	A

REQ. PER UNIT	MODEL	PROJECT NO.	ASSY. NO.	DATE

USED ON

THE CONTENTS OF THIS DRAWING ARE THE EXCLUSIVE PROPERTY OF THE TECHNICAL MATERIEL CORP. ITS UNAUTHORIZED USE OR REPRODUCTION IN WHOLE OR IN PART IS STRICTLY FORBIDDEN.

SPECIFICATIONS

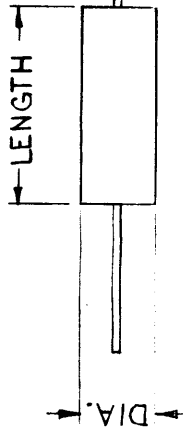
WINDING: NON-INDUCTIVE, EPOXY ENCAPSULATED.
 OPERATING RANGE: -55°C TO +130°C.
 FULL RATED VOLTAGE AT 85°C.
 35% DERATED VOLTAGE AT 130°C.
 TOLERANCE: SEE CHART.
 VOLTAGES: SEE CHART.
 REF: MIL-C-18312A WHERE APPLICABLE DISSIPATION FACTOR LESS THAN 1% AT 25°C, 1KC.

NOTE:

- STANDARD TOLERANCE 5%
- TOL.DIM.: LENGTH $\sim \pm \frac{1}{16}$
DIA. $\sim \pm .050$

TOLERANCE	CODE	%
F		1
J		5
M		20

VOLTAGE	CODE	VOLTS
2		200
4		400
5		50



LEADS SOLID WIRE TINNED 2" LONG.

#22 or #24 AWG THROUGH .250 CASE DIA
 #22 AWG THROUGH .400 CASE DIA
 #20 or #22 AWG THROUGH .750 CASE DIA
 #18 AWG THROUGH 1.50 CASE DIA

TMC CODE	CAPACITY mfd	50V (CODES)		200V (CODE 2)		400V (CODE 4)	
		DIA.	LENGTH	DIA.	LENGTH	DIA.	LENGTH
R05	.05			3/16	11/16	1/4	11/16
R06	.06			3/16	11/16	1/4	11/16
R068	.068	.200	1/2	7/32	11/16	9/32	11/16
R10	.10	.220	1/2	1/4	11/16	5/16	11/16
R15	.15	.235	1/2	9/32	11/16	3/8	11/16
R20	.20			5/16	11/16	13/32	11/16
R25	.25			3/8	11/16	7/16	11/16
R47	.47	.335	11/16	3/8	11/16	7/16	1 1/16
R50	.50			3/8	1 1/16	7/16	1 1/16
I R0	1.0	.470	1 1/16	7/16	1 1/4	9/16	1 1/4
2 R0	2.0	.670	1 1/16	5/8	1 1/4	13/16	1 1/4
3 R0	3.0	.575	1 1/16	3/4	1 1/4	1	1 1/4
4 R0	4.0	.625	1 1/16	7/8	1 1/4	11/16	2 1/4
5 R0	5.0	.675	1 1/16	15/16	1 1/4	13/16	2 1/4
6 R0	6.0	.750	1 1/16	3/4	2 1/4	1	2 1/4
10 R0	10.0			15/16	2 1/4	1 1/4	2 1/4
R82	.82	.435	1 1/16				
R68	.68	1 3/32	1 1/16				
R60	.60					.550	1 1/16
R70	.70					.525	1 1/4
R033	.033	.165	1/2				

NOMENCLATURE SHALL BE IN THE FOLLOWING FORM

CN-114 R05 — 2 J F

TMC PART NO. CAPACITANCE VOLTAGE TOLERANCE DENOTES
 (SEE CHART TMC CODE) (SEE CHART) (SEE CHART) FLAT STYLE

STANDARD DRAWING

REQ. ITEM	PART NO.	J. STRUMMER	DESCRIPTION	SYMBOL
			THE TECHNICAL MATERIEL CORP. MAMARONECK, NEW YORK	
	STOCK SIZE		CAPACITOR, METALLIZED, MYLAR (EPOXY ENCAPSULATED)	
	MATERIAL			
	TYPE & TEMPER		CHECKED	
	HEAT TREAT. SPEC.		DRAWN	
			FINAL APPROVAL	
	FINISH & SPEC. NO.		ELEC. DES. APP. MCH. DES. APP.	
			CN 114	F

PURCHASING INFORMATION			
WHEN PURCHASING WITHOUT TMC PART NO., THE FOLLOWING FORM MUST BE FOLLOWED:			
TYPE 31, .05 μ f, 400V, $\pm 5\%$.			
TYPE 31 200 \pm 400V UNITS			
TYPE 315 50 V UNITS			
REQ. PER UNIT	MODEL	SECTION	DATE
	RTMU-1		10-21-64
	HFS-1		8-15-62
		ASSY. NO.	
		USED ON	

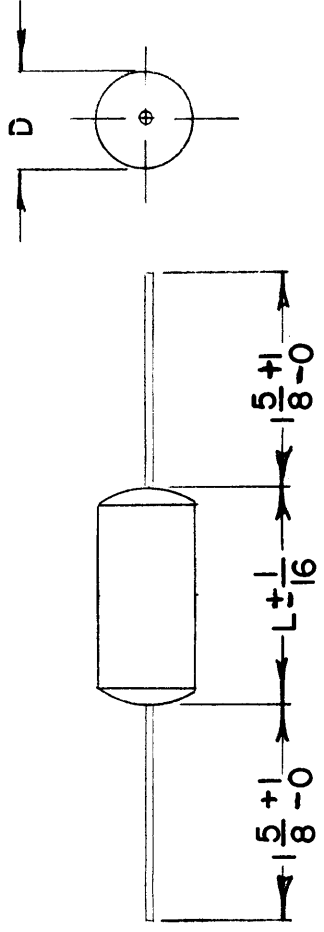
DATE	CH. NO.	DRAFTS	CHECKER	ENG. APP.
7-28-75	21270	604		
1/27/66	15668	5 L		
2-15-65	13476	9.2		
12-15-64	13094	HLA		

SCALE: 5401-87

UNLESS OTHERWISE SPECIFIED:
 DIMENSIONS ARE IN INCHES
 TOLERANCES ON FRACTIONS $\pm 1/64$ DECIMALS $\pm .09$ ANGLES $\pm 1/20$

MAXIMUM ALLOWABLE TOLERANCES HAVE BEEN DETERMINED AND ANY DEVIATIONS WILL BE CAUSE FOR REJECTION.
 REMOVE ALL BURRS AND SHARP EDGES

CAP IN MFD.	50 WVDC		100 WVDC	
	D	L	D	L
0.01	.297	5/8	.297	3/4
0.012	.297	5/8	.312	3/4
0.015	.297	5/8	.312	3/4
0.018	.297	5/8	.328	3/4
0.022	.312	5/8	.328	3/4
0.027	.312	5/8	.343	3/4
0.033	.312	3/4	.343	3/4
0.039	.312	3/4	.359	3/4
0.047	.328	3/4	.375	3/4
0.056	.328	3/4	.359	7/8
0.068	.343	3/4	.391	7/8
0.082	.343	3/4	.422	7/8
0.10	.359	3/4	.422	1
0.12	.359	7/8	.438	1
0.15	.375	7/8	.484	1
0.18	.406	7/8	.484	1-1/8
0.22	.406	1	.562	1-1/8
0.27	.422	1	.562	1-1/4
0.33	.469	1	.609	1-3/8
0.39	.500	1-1/8	.594	1-5/8
0.47	.547	1-1/8	.641	1-5/8
0.56	.547	1-1/4	.656	1-3/4
0.68	.594	1-1/4	.719	1-3/4
0.82	.578	1-1/2	.750	1-7/8
1.00	.641	1-1/2	.812	1-7/8
1.25	.703	1-1/2	.828	2-1/8
1.50	.750	1-3/4	.906	2-1/8
1.80	.828	1-3/4	.938	2-1/4
2.00	.844	1-3/4	1.000	2-1/4



SPECIFICATIONS

INSULATION RESISTANCE: GREATER THAN 75,000 MEGOHM-MICROFARADS AT 25°C BUT THE IR NEED NOT EXCEED 150,000 MEGOHMS. SEE SEPARATE CURVE FOR FIGURES AT HIGHER TEMP.

DISSIPATION FACTOR: LESS THAN .20% AT 25°C WHEN MEASURED AT OR REFERRED TO 1000 ±20 CPS.

TEMPERATURE RANGE: MAY BE OPERATED AT RATED VOLTAGE FROM -55°C TO +125°C

LIFE TEST: 250 HOURS AT +125°C AND 140% OF RATED VOLTAGE

DC VOLTAGE RATINGS: STANDARD RATINGS INCLUDE 50 AND 100 VOLTS

DIELECTRIC STRENGTH: A(D-C) POTENTIAL OF TWICE THE RATED VOLTAGE SHALL BE APPLIED FOR ONE MINUTE THRU A LIMITING RESISTANCE OF 100 OHMS PER VOLT

TMC PART NUMBER TO BE IN THE FOLLOWING FORM:

CN 116 A IR80
 BASIC DWG NUMBER DENOTES CAPACITANCE IN uF
 A=50 WVDC R INDICATES DECIMAL POINT
 B=100 WVDC (SEE CHART)

PURCHASING NOTE:

MFG # AS FOLLOWS:
 463JW 1.80 - 50
 TYPE CAPACITANCE WVDC
 IN uF

REVISIONS

ZONE	LTR	DESCRIPTION	DATE	E.M.N. NO	DRAFT	CHKD	APPD
X		EXP. RELEASE	11-13-67				
Ø		ORIG RELEASE FOR PROD	10-18-68		C.V.		
A		UPDATED	7-6-71	20413	Rf		

REQ'D ITEM	PART NUMBER	DESCRIPTION	SYMBOL
0.	POSE	LIST OF MATERIAL	

DATE	DATE	DATE	DATE	DATE
7/15/63				

UNLESS OTHERWISE SPECIFIED DIMENSIONS ARE IN INCHES AND INCLUDE CHEMICALLY APPLIED OR PLATED FINISHES	FRACTIONS	TOLS.	ANGLES
.X ± .05	1/64		0°-30'
.XX ± .01			
.XXX ± .005			

QTY / UNIT	MODEL USED ON	ASSY NO.
	LFE-1	
APPLICATION		
CODE	S401-499(463JW)	

NOTICE TO PERSONS RECEIVING THIS DRAWING
 THE TECHNICAL MATERIEL CORPORATION claims proprietary right in the material disclosed hereon. This drawing is issued in confidence for engineering information only and may not be reproduced or used to manufacture anything shown hereon without permission from THE TECHNICAL MATERIEL CORPORATION to the user. This drawing is loaned for mutual assistance and is subject to recall at any time.

FINISH APPROVAL	MECH. DES.	ELECT. DES.	CHECKED	DRAWN

SIZE	CODE IDENT. NO.	DWG NO.	ISSUE
B	82679	CN 116	A

SCALE	SHEET	OF
	1	1