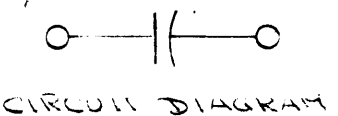


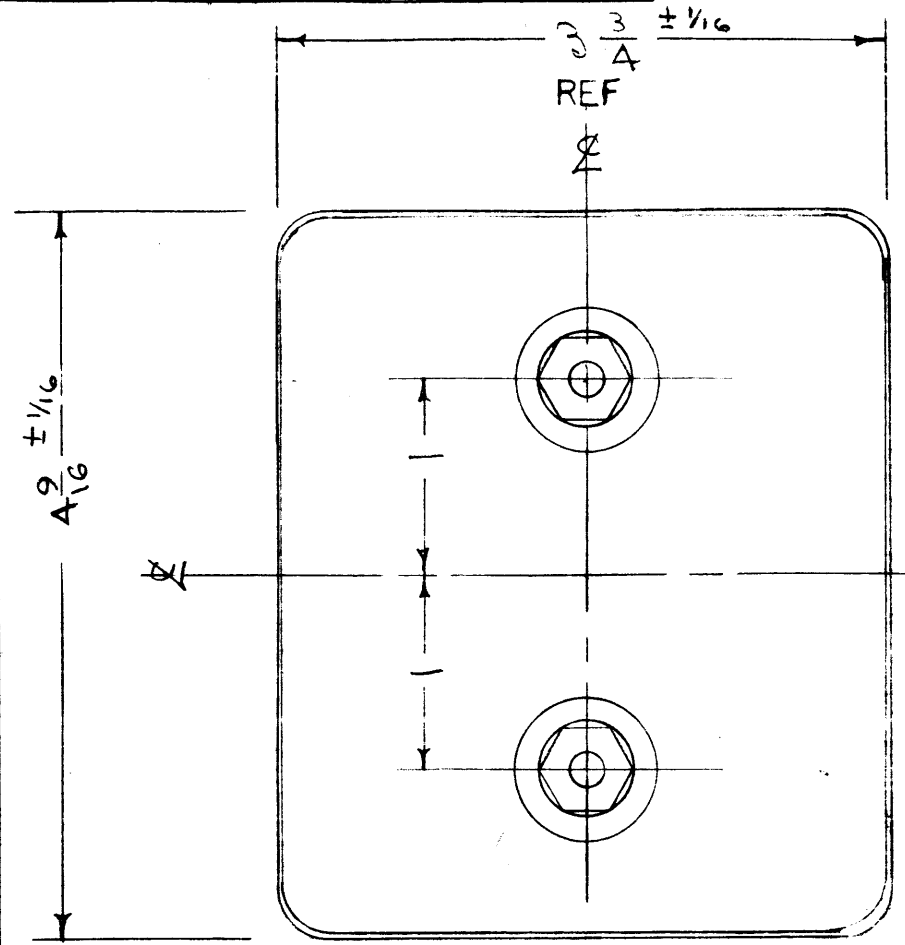
IF IT IS FOUND DESIRABLE TO CHANGE ANY TOLERANCE OR OTHER DETAIL SPECIFIED ON THIS DRAWING NOTIFY THE PURCHASER PROMPTLY.

MAXIMUM ALLOWABLE TOLERANCES HAVE BEEN DETERMINED AND DEVIATIONS WILL BE CAUSE FOR REJECTION. REMOVE ALL BURRS AND SHARP EDGES

NOTE: REPLACED BY CN 128-1



G
0
1
0
Z
0

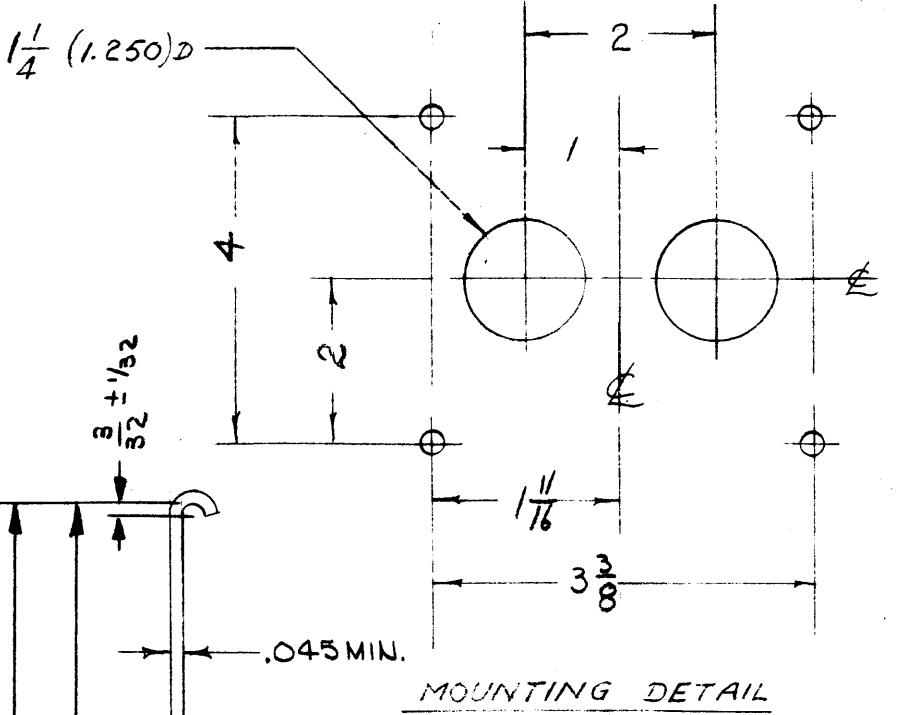
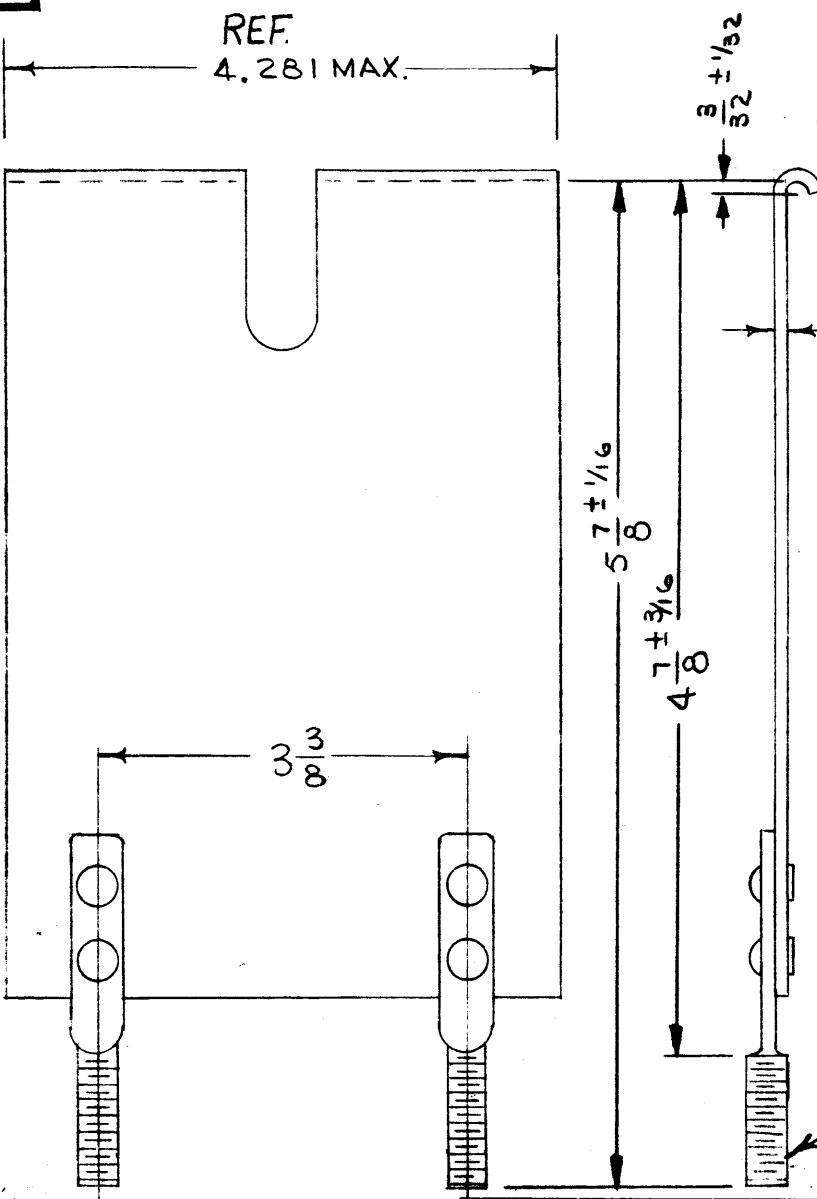


NOTICE TO PERSONS RECEIVING THIS DRAWING

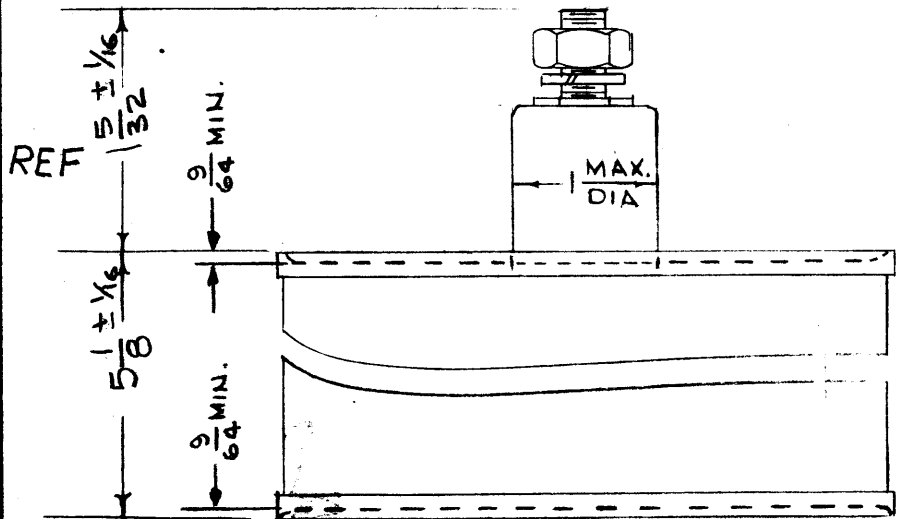
THE TECHNICAL MATERIEL CORPORATION has a proprietary right in the material disclosed herein. This drawing is issued in confidence for engineering information only and may not be reproduced or used to manufacture anything shown hereon without permission from THE TECHNICAL MATERIEL CORPORATION to the user. This drawing is loaned for mutual assistance and is subject to recall at any time.

SPECIFICATIONS

CASE: METALLIC, UNINSULATED, HERMETICALLY SEALED.
 FINISH: TMC GRAY (S114) EXCEPT TERMINAL END.
 MAXIMUM ALTITUDE: 7,500 FEET AT RATED VOLTAGE
 TERMINALS: TWO PILLAR Ins, 12-24NC-2A THREAD OR 10-32NF-2A THREAD SUPPLIED WITH ONE NUT, ONE FLAT WASHER AND, ONE LOCK WASHER PER TERMINAL.
 TERMINAL STRENGTH: TEN lbs PULL, 15 inch lbs TORQUE WITH LOCK NUT.
 CAPACITANCE: 4.0 MICROFARADS ± 10%
 WORKING VOLTAGE: 4,000 VOLTS DC.
 VIBRATION: 10 to 55 cps.
 APPLICABLE SPECIFICATIONS: MIL-C-25 (CP--ELEMENTS)



BRACKET NO. - CP07SJ4
 FINISH - YELLOW IRIDITE OR HOT TIN DIP
 QUANTITY - TWO



FOR PURCHASING INFORMATION ONLY

S401-40(23F929) S401-81(L-1812-2)
 S401-146(TJH-107) S401-454(CC538)

NOTE ADDED

1	BKT. STYLE CLARIFIED	6-19-58	2	J.P.C.	J.H.C.	A.J.J.
2	Voltage was 3,000 VDC	1/3/58	1	J.P.C.	J.H.C.	A.J.J.
1	REF was General Electric #23F404 Case Style 71	1/3/58	1	J.P.C.	J.H.C.	A.J.J.

ISSUE	ITEM	REVISION	DATE	CN. NO.	DRAFT	CHKR	APP.
G		REPLACED BY CN 128-1	6-19-58	2165	CDL	WJB	*
F	1	S401-454 ADDED, REF NOTES	8/9/77	21568	KP	J.P.C.	*
E		COMPLETELY REVISED BKT DIMS, CAPACITOR BASE DIM, TERM. TOL. & SPECS; ADDED 9/6/58	2/3/66	15579	JL	J.P.C.	J.H.C.
D	1	BRACKET NO. WAS CP07SJ5	3-8-61	4356	M.A.F.	J.P.C.	J.H.C.
C	1	1-5/32 Term WAS 1-7/32 5/8 Height WAS 5-1/2 REF WAS 23F412	9/6/58	452	KG	J.P.C.	J.H.C.

REQ. ITEM	PART NO.	DESCRIPTION	SYMBOL
		THE TECHNICAL MATERIEL CORP. MAMARONECK, NEW YORK	
		CAPACITOR, FIXED, PAPER	
		DIELECTRIC, W/BRACKET	
		CD-6-8-SS	10/27/55
		HEAT TREAT. SPEC.	
		FINISH & SPEC. NO.	

TOLERANCES		SCALE:	
ALL OTHERS	DEC. DIM. ± FRAC. DIM. ± ANGULAR DIM. ±	DRILL, PUNCH, COMMERCIAL STOCK SIZES AND MANUFACTURERS TOLERANCES ARE NOT INCLUDED.	

REQ. PER UNIT	MODEL	PROJECT NO.	ASSY. NO.	DATE
				6-8-55