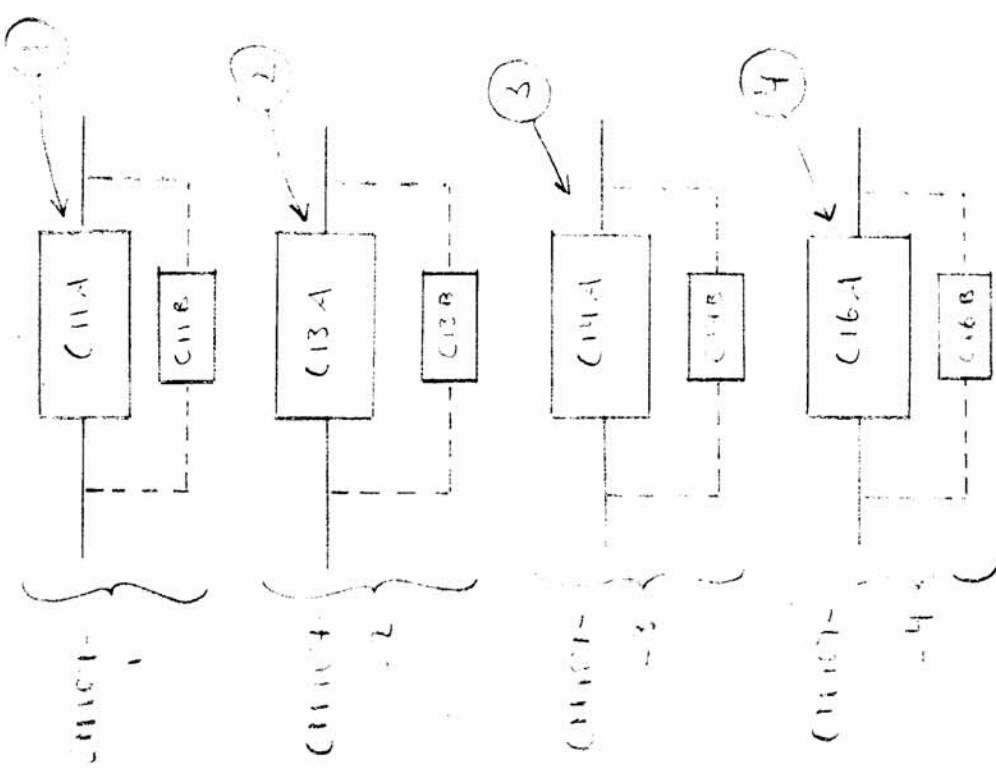


IF IT IS FOUND DESIRABLE TO CHANGE ANY TOLERANCE OR OTHER DETAIL SPECIFIED ON THIS DRAWING NOTIFY THE PURCHASER PROMPTLY.

MAXIMUM ALLOWABLE TOLERANCES HAVE BEEN DETERMINED AND DEVIATIONS WILL BE CAUSE FOR REJECTION. REMOVE ALL BURRS AND SHARP EDGES



NOTE: C11B, C13B, C14B, C16B TO BE CHOSEN FROM KIT DURING CALIBRATION

CM-107

USED ON

MODEL	PROJECT NO.	ASSY. NO.	DATE
CFA-1LB	745		9-28-53

1	C11200 5119				
4	C11200 4119				
1	C11200 4319				
4	C11200 3419				
1	C11200 3119				
1	C11200 3319				
1	C11200 3019				
1	C11200 2119				
1	C11200 2419				
4	C11200 2219				
1	C11300 3629				
1	C11300 1329				
1	C11300 3629				
1	C11300 1329				

DISCRIMINATOR  
CAPACITOR  
KIT

BASIC CAPACITOR

C11A  
C11A  
C13A  
C13A  
C14A  
C14A  
C16A  
C16A

REQ. ITEM	PART NO.	DESCRIPTION	SYMBOL
		THE TECHNICAL MATERIEL CORP. MAMARONECK, NEW YORK	
STOCK SIZE			
MATERIAL	WEIGHT PER PC.		
TYPE & TEMPER			
HEAT TREAT. SPEC.			
FINISH & SPEC. NO.			

DISCRIMINATOR CAPACITORS

CFA-1LB

✓ DRAWN A. J. Jo

✓ CHECKED

ELEC. DES. APP. MECH. DES. APP.

FINAL APPROVAL

CM 107

ISSUE ITEM	CHANGED FROM	DATE	CN. NO.	DRAFTS	CHECKER	ENG. APP.
TOLERANCES						
SCALE						
DRILL, PUNCH, COMMERCIAL STOCK SIZES AND MANUFACTURERS TOLERANCES ARE NOT INCLUDED.						