

5

4

3

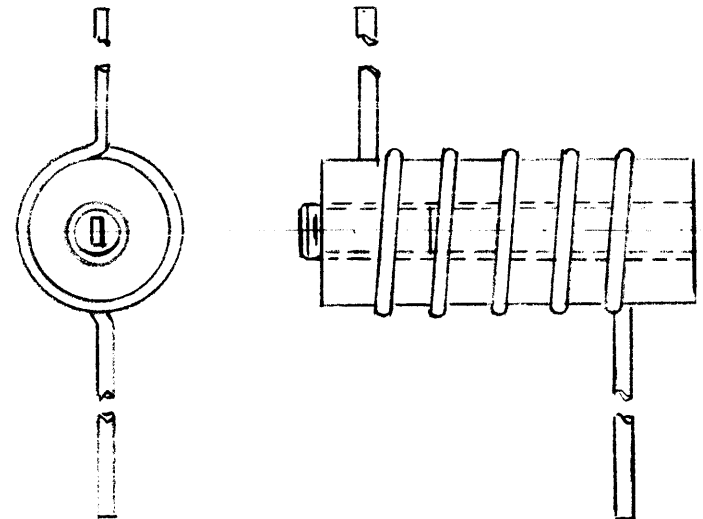
2

1

REVISIONS							
EM.N.NO.	DRAFT	CHKD	ZONE	LTR	DESCRIPTION	DATE	APPROVED
				X1	CL484-3 NO LONGER USED	1-7-75	
	G.D.L.			⊙	ORIGINAL RELEASE FOR PRODUCTION	1-25-77	
21532				A	REMOVE AND LABEL HERE RE PLACE 21 CL484	4-11-77	

CL484-1	CL484-2	CL484-3
MECHAICAL SPECIFICATIONS: 5 1/2 TURNS.	MECHANICAL SPECIFICATIONS: 6 1/2 TURNS	MECHANICAL SPECIFICATIONS: 4 1/2 TURNS
ELECTRICAL SPECIFICATIONS: (FLUSH CORE) INDUCT .23 uh Q. 150 FREQ. 25.0 MHz	ELECTRICAL SPECIFICATIONS: (FLUSH CORE) INDUCT .24 uh Q. 150 FREQ. 25.0 MHz	ELECTRICAL SPECIFICATIONS: (FLUSH CORE) INDUCT. .17 Q. 130 FREQ. 25.0 MHz

SCHEMATIC DIAGRAM



SEE CHART FOR ELECTRICAL SPECIFICATIONS

	GRR110	
QTY / UNIT	MODEL USED ON	ASS'Y NO.
APPLICATION		
	CODE	

NOTICE TO PERSONS RECEIVING THIS DRAWING
 THE TECHNICAL MATERIEL CORPORATION claims proprietary right in the material disclosed hereon. This drawing is issued in confidence for engineering information only and may not be reproduced or used to manufacture anything shown hereon without permission from THE TECHNICAL MATERIEL CORPORATION to the user. This drawing is loaned for mutual assistance and is subject to recall at any time.

UNLESS OTHERWISE SPECIFIED DIMENSIONS ARE IN INCHES AND INCLUDE CHEMICALLY APPLIED OR PLATED FINISHES	
DECIMALS .X ± .05 .XX ± .01 .XXX ± .005	FRACTIONS 1/64 TOLS. ANGLES 0° -30'
MATERIAL	
FINISH	

REQ'D	ITEM	PART NUMBER	DESCRIPTION	SYM.
F. BUDETTI LIST OF MATERIAL				
FINAL APPROVAL		DATE	THE TECHNICAL MATERIEL CORP.	
MECH. DES.		DATE	MAMARONECK, NEW YORK	
ELECT. DES.		DATE	HFO COIL ASS'Y	
CHECKED		DATE		
DRAWN		DATE		
G D L		3-5-74	SIZE	ISSUE
			B	A
			CODE IDENT. NO.	DWG NO.
			82679	CL484
			SCALE	SHEET OF

5

4

3

2

1