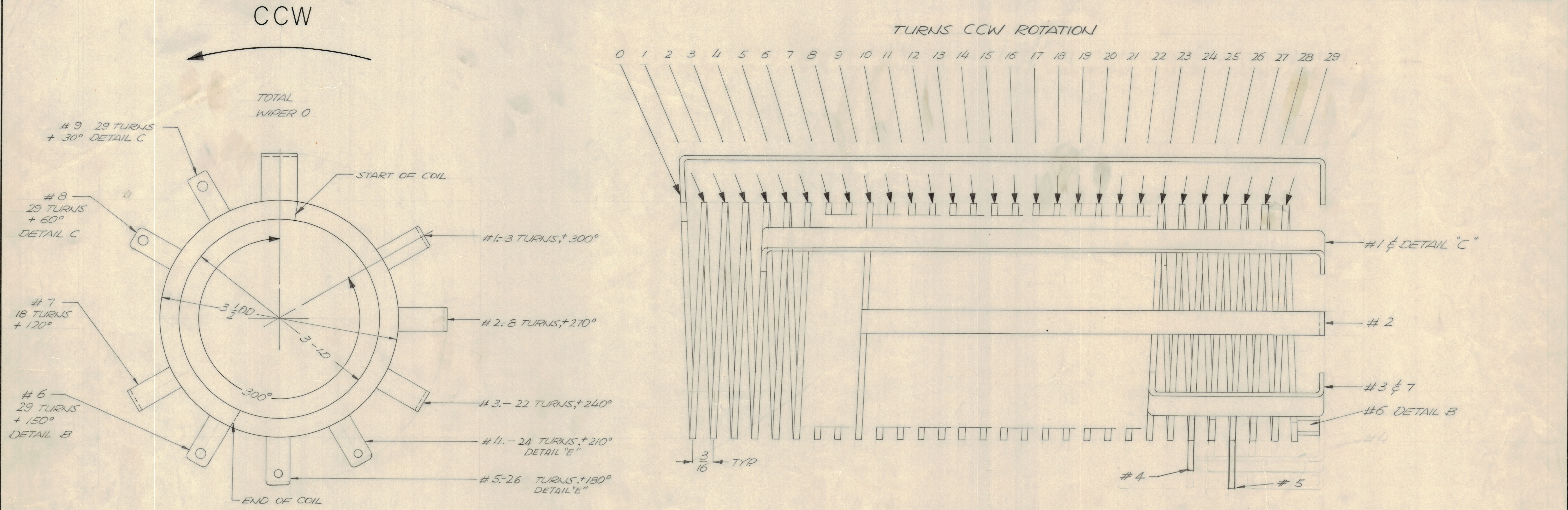


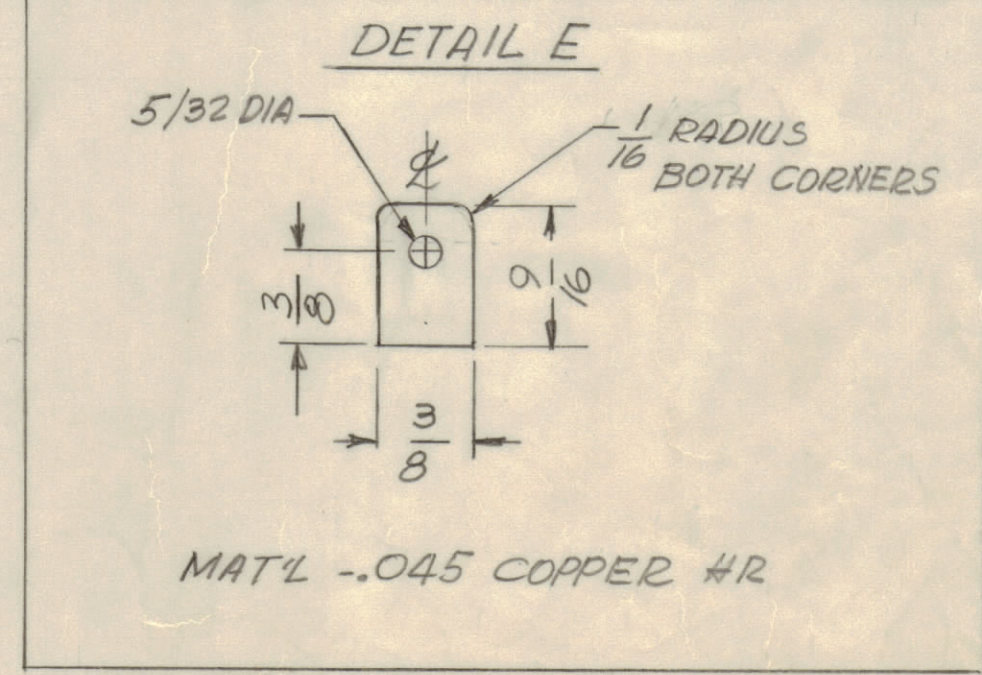
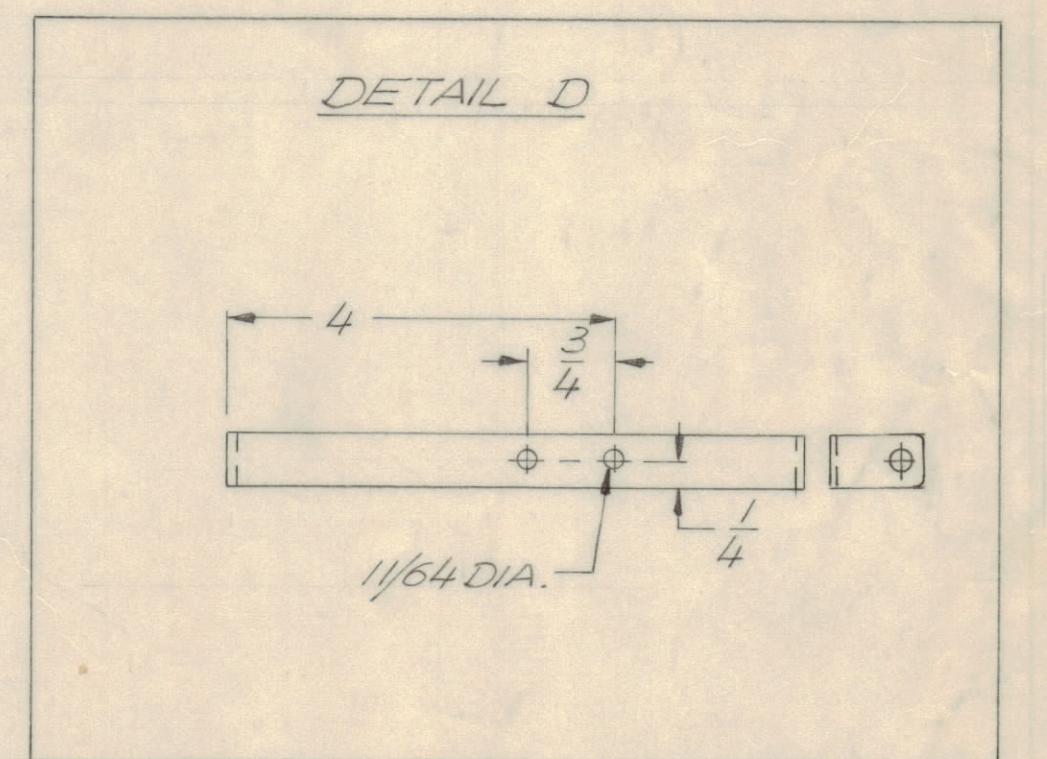
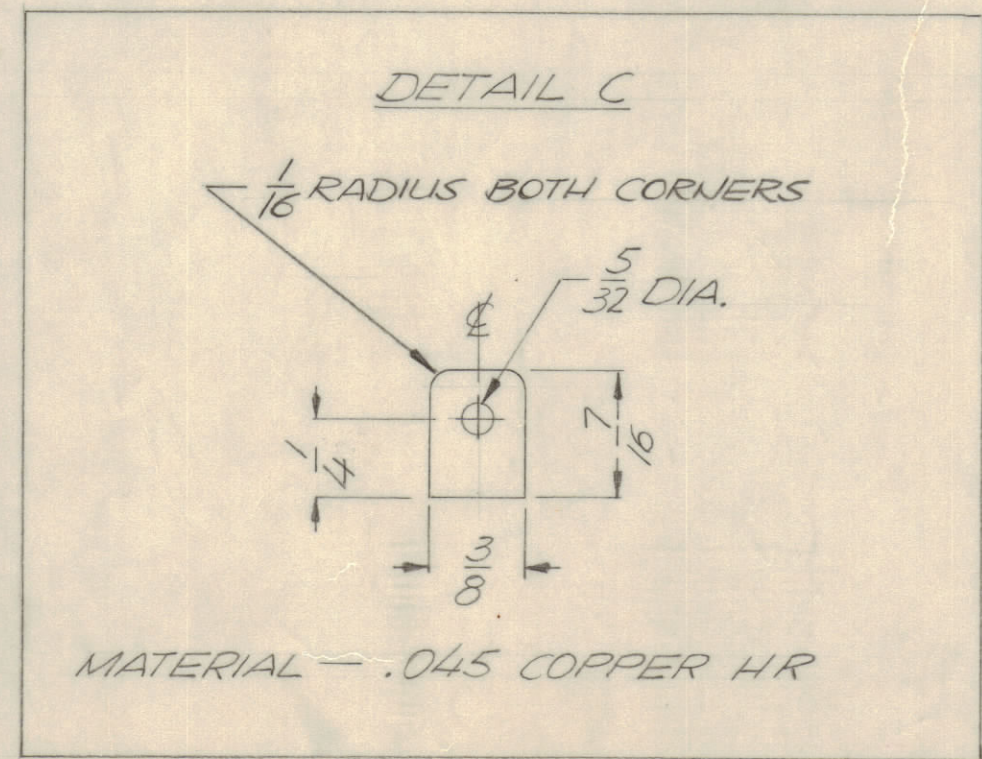
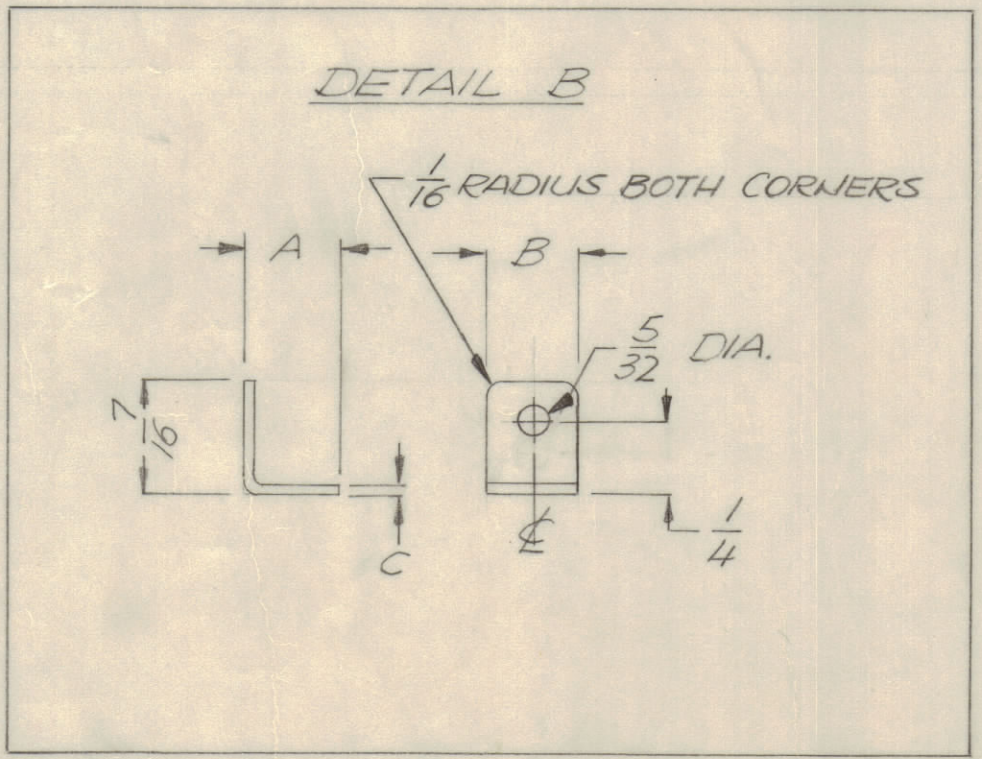
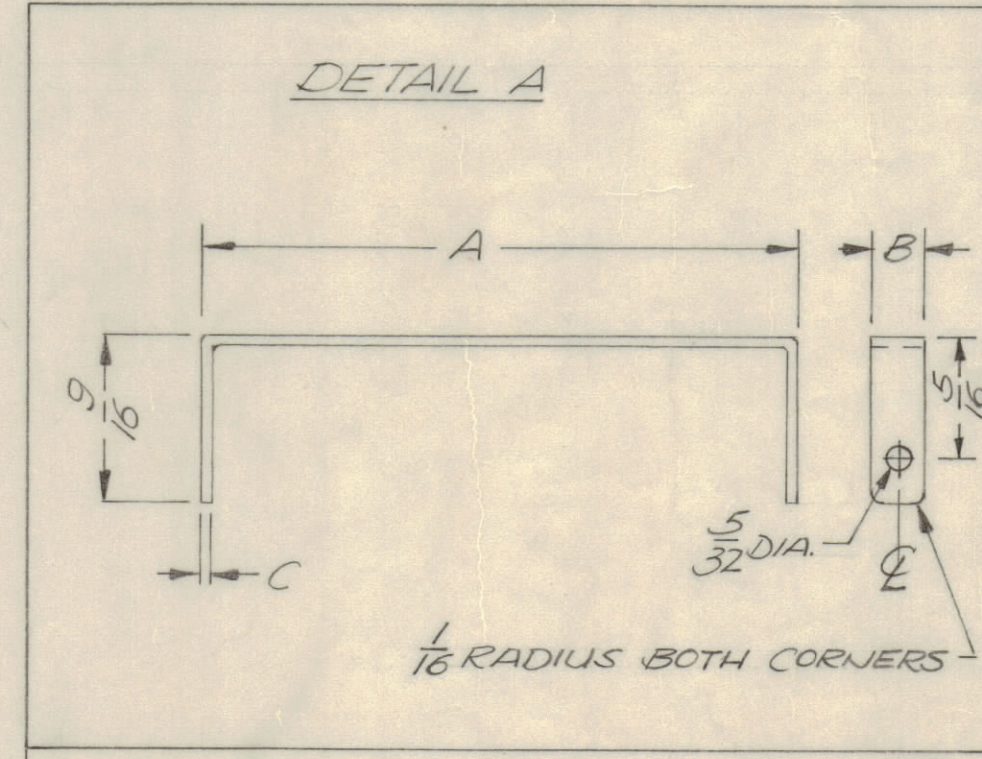
REVISIONS					DATE	APPROVED
E.M.NO	DRAFT	CHKD	ZONE	LTR	DESCRIPTION	
	U				ORIGINAL RELEASE FOR PRODUCTION	7/12/71
20570	GE			A	ADDED 1/16 RADIUS NOTES TO DET.	3/21/72
21428	SDL			B	DETAIL "E" ADDED #4-5 CONNECTION REVISED	6-30-76
21469	SDL	K.P.		C	DESIGN IMPROVE TO ASSURE PROPER ELECTRICAL CONN.	10-8-76



EXTENDING LEG	DETAIL	DIMENSION A	DIMENSION B	DIMENSION C
0 WIPER	A&D	5 7/8	1/2	.060
1	A	5 1/8	1/4	.045
2	A	4 3/16	1/4	.045
3	A	1 5/8	1/4	.045
4	A	1 1/16	1/4	.045
5	A	3/4	1/4	.045
6	B	3/8	3/8	.045
7	A	2 7/16	1/4	.045
8	C	AS NOTED	AS NOTED	AS NOTED
9	C	AS NOTED	AS NOTED	AS NOTED

NOTE  
CUT OFF EXCESS COIL AFTER BRAZING OF LEGS TO COIL.  
COIL IS WOUND IN A COUNTER CLOCKWISE DIRECTION.

THIS DRAWING NOT TO SCALE



1	TLAAIK	AS160
QTY / UNIT	MODEL USED ON	ASS'Y NO.
APPLICATION		
CODE		
NOTICE TO PERSONS RECEIVING THIS DRAWING		
THE TECHNICAL MATERIEL CORPORATION claims proprietary right in the material disclosed hereon. This drawing is issued in confidence for engineering information only and may not be reproduced or used to manufacture anything shown hereon without permission from THE TECHNICAL MATERIEL CORPORATION to the user. This drawing is loaned for mutual assistance and is subject to recall at any time.		

UNLESS OTHERWISE SPECIFIED DIMENSIONS ARE IN INCHES AND INCLUDE CHEMICALLY APPLIED OR PLATED FINISHES	
TOLERANCES ON	
DECIMALS	FRACTIONS
.X ± .05	± 1/64
.XX ± .01	ANGLES
.XXX ± .005	± 0° -30'
MATERIAL	AS NOTED
FINISH	S245

1	1	CL133-SR30CC	COIL RF	
QTY. REQ.	ITEM	PART NO.	DESCRIPTION	SYMBOL
	F. BUDETTI		LIST OF MATERIAL	
FINAL APPROVAL		DATE	THE TECHNICAL MATERIEL CORP.	
MECH. DES.		12 Jul 71	MAMARONECK, NEW YORK	
ELECT. DES.		12 Jul 71	COIL MAIN TANK	
CHECKED		12 Jul 71		
DRAWN		4/5/71		
SIZE	CODE IDENT NO.	DWG NO.	ISSUE	
D	82679	CL470	B	
SCALE: NTS		SHEET OF		