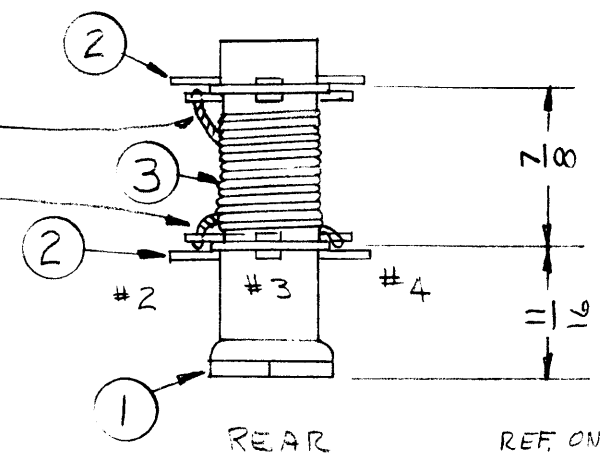
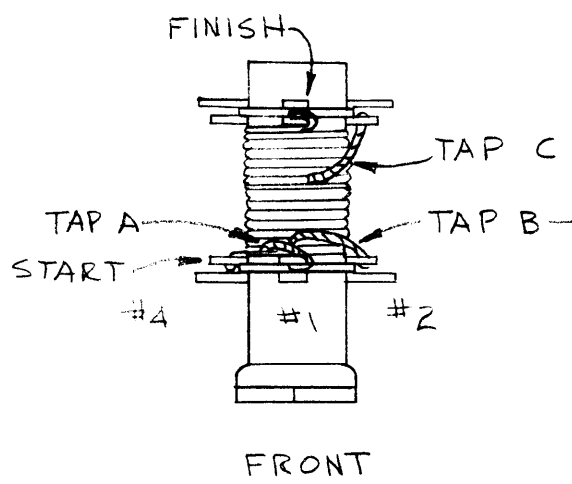
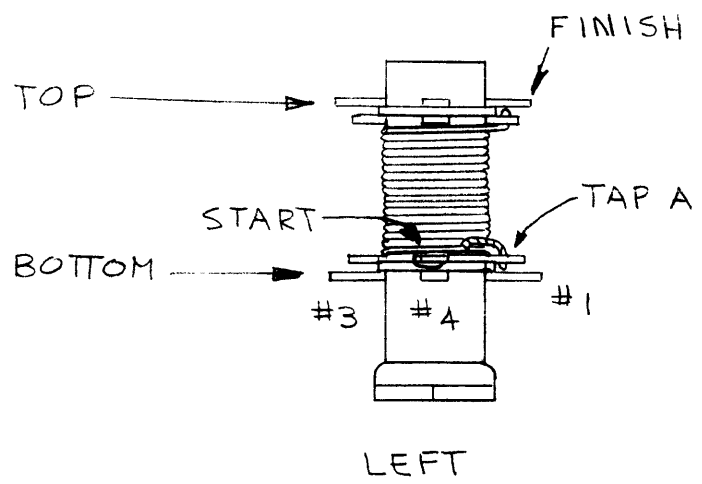
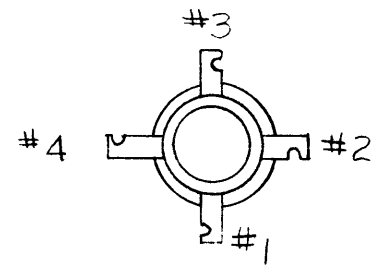


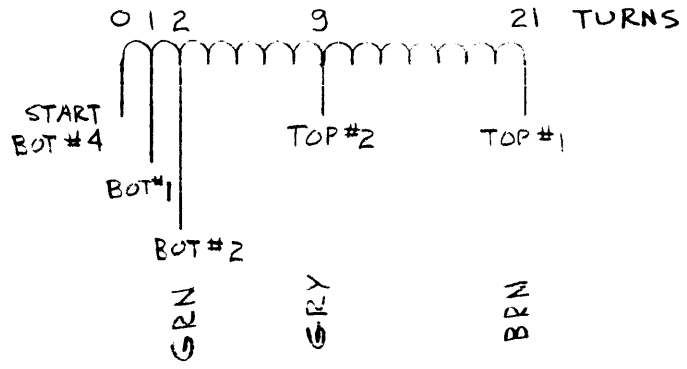
REVISIONS						
ZONE	LTR	DESCRIPTION	DATE	E.M.N.NO	DRAFT	CHKD APPD
	Ø	RELEASE	11/30/70		Q	



SINGLE LAYER - CLOSE WOUND
WIND COUNTER-CLOCKWISE.
USE IT. 4 AFTER FINISHING.

START AT BOTTOM #4.
TOTAL TURNS - 21 1/4
TAP A - BETWEEN 1 & 1/4 TURNS*
TERMINATE AT BOTTOM #1.
TAP B - 2 1/4 TURNS* TERMINATE AT BOTTOM #2
TAP C - 9 1/4 TURNS* TERMINATE AT TOP #2
FINISH - 21 1/4 TURNS* TERMINATE AT TOP #1
* TURNS FROM START

21 TURNS 2.85µh ± 5% Q = 100 ± 5% FREQ 7.9 MHz
REF ONLY 9 TURNS 0.85µh Q = 40 FREQ 7.0 MHz



REQ'D	ITEM	PART NUMBER	DESCRIPTION	SYM.
	5	BS100	SOLDER, TIN ALLOY	
	4	GL104-2	USE, INSULEX	
	3	WI141-20	WIRE, ELEC, MAG	
2	2	TE146-4	TERM LUG, COLLAR	
1	1	CF114-3	FORM, COIL	

BUDETTI		LIST OF MATERIAL	
FINAL APPROVAL	DATE	THE TECHNICAL MATERIEL CORP.	
MECH. DES.	30 NOV 70	MAMARONECK, NEW YORK	
ELECT. DES.	30 NOV 70	COIL RF	
CHECKED	DATE		
DRAWN	30 NOV 70		

QTY / UNIT	MODEL USED ON	ASS'Y NO.
2	AX5126	
APPLICATION		
	CODE	

NOTICE TO PERSONS RECEIVING THIS DRAWING
THE TECHNICAL MATERIEL CORPORATION claims proprietary right in the material disclosed hereon. This drawing is issued in confidence for engineering information only and may not be reproduced or used to manufacture anything shown hereon without permission from THE TECHNICAL MATERIEL CORPORATION. This drawing is loaned for mutual assistance and is subject to return.

UNLESS OTHERWISE SPECIFIED DIMENSIONS ARE IN INCHES AND INCLUDE CHEMICALLY APPLIED OR PLATED FINISHES	
DECIMALS	FRACTIONS
.X ± .05	TOLS. 1/64
.XX ± .01	ANGLES 0° - 30'
.XXX ± .005	

SIZE	CODE IDENT. NO.	DWG NO.	ISSUE
B	82679	CL465	1

SCALE SHEET