

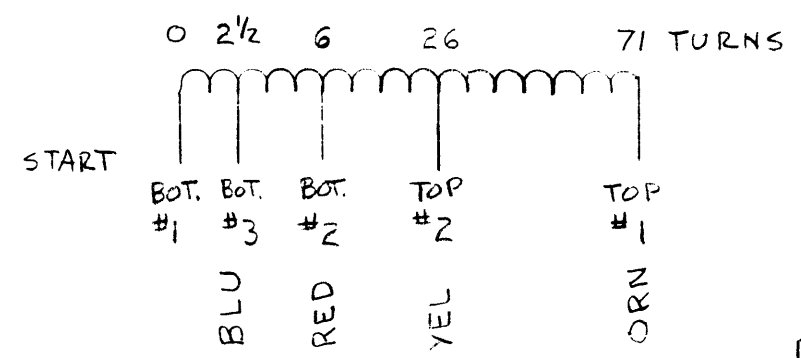
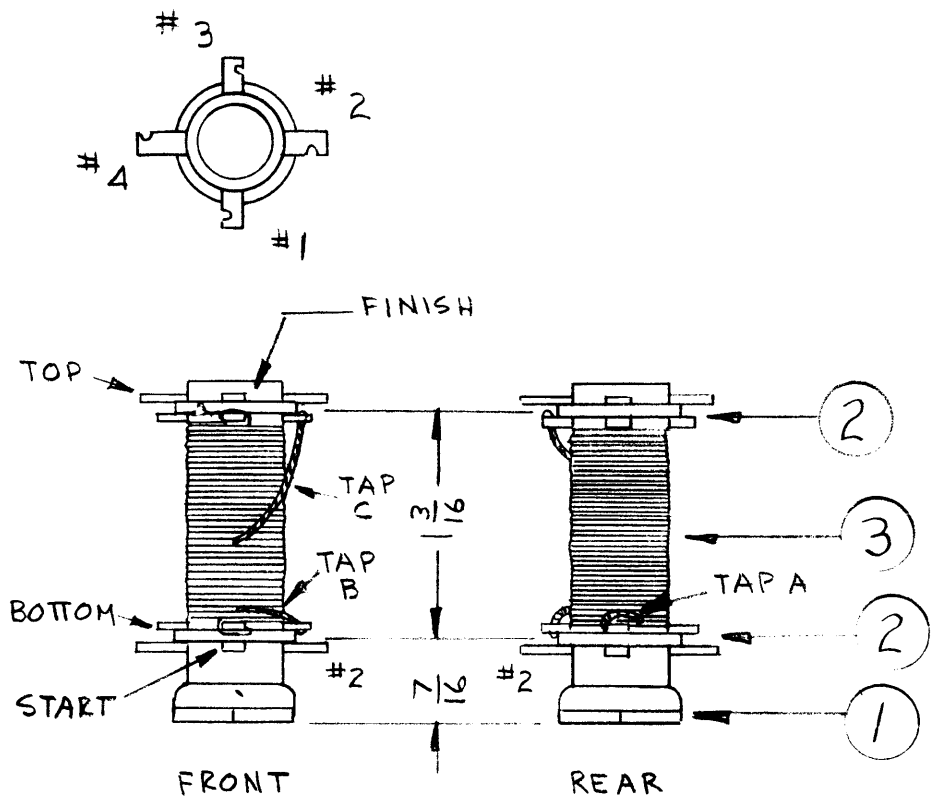
REVISIONS						
ZONE	LTR	DESCRIPTION	DATE	E.M.N.NO	DRAFT	CHKD APPD
	Ø	ORIGINAL RELEASE	11/30/70		Ø	

SINGLE LAYER CLOSE WOUND.
WIND COUNTER-CLOCKWISE.
USE IT. 4 AFTER FINISHING.

START AT BOTTOM #1
TOTAL TURNS - 71
TAP A - 2 1/2 TURNS * TERMINATE AT BOTTOM #3
TAP B - 6 TURNS * TERMINATE AT BOTTOM #2.
TAP C - 26 TURNS * TERMINATE AT TOP #2
FINISH AT TOP #1.

* TURNS FROM START

71 TURNS	25µh ± 5%	Q - 90 ± 5%	TEST FREQ. 2.5 MHz
26 TURNS	7µh ± 5%	Q - 60 ± 5%	TEST FREQ. 7.9 MHz



REQ'D	ITEM	PART NUMBER	DESCRIPTION	SYM.
5		BS100	SOLDER, TIN ALLOY	
4		GL104-2	UBE, INSULEX	
3		WI141-28	WIRE, ELEC, MAG	
2	2	TE146-4	TERM LUG, COLLAR	
1	1	CF114-3	FORM, COIL	

LIST OF MATERIAL

2	AX5126	
QTY / UNIT	MODEL USED ON	ASS'Y NO.
APPLICATION		
CODE		

NOTICE TO PERSONS RECEIVING THIS DRAWING
THE TECHNICAL MATERIEL CORPORATION claims proprietary right in the material disclosed hereon. This drawing is issued in confidence for engineering information only and may not be reproduced or used to manufacture anything shown hereon without permission from THE TECHNICAL MATERIEL CORPORATION to the user. This drawing is loaned for mutual use and is subject to recall at any time.

UNLESS OTHERWISE SPECIFIED DIMENSIONS ARE IN INCHES AND INCLUDE CHEMICALLY APPLIED OR PLATED FINISHES	FINAL APPROVAL <i>[Signature]</i>	DATE 28 Oct 70
DECIMALS .X ± .05 .XX ± .01 .XXX ± .005	MECH. DES. <i>[Signature]</i>	DATE 28 Oct 70
FRACTIONS 1/64	ELECT. DES.	DATE
TOLS. ANGLES 0° - 30'	CHECKED	DATE
MATERIAL	DRAWN <i>[Signature]</i>	DATE 28 Oct 70
FINISH		

THE TECHNICAL MATERIEL CORP.
MAMARONECK, NEW YORK

COIL, RF

SIZE B	CODE IDENT. NO. 82679	DWG NO. CL464	ISSUE <i>[Signature]</i>
--------	-----------------------	---------------	--------------------------