

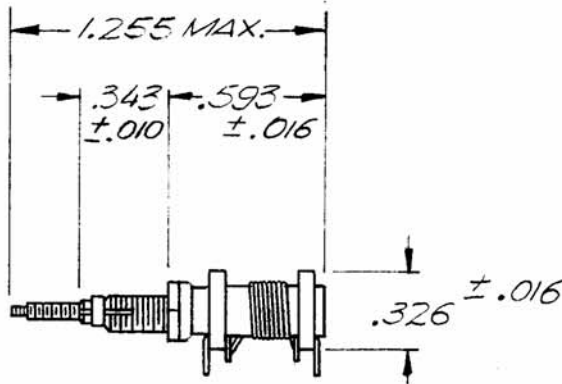
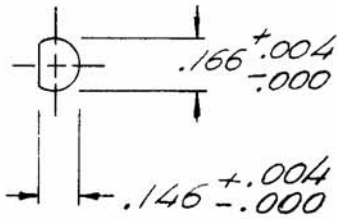
APPLICATION			REVISIONS						
QTY	MODEL USED ON	ASS'Y NO.	LTR	DESCRIPTION	DATE	E.M.N.NO	DRAFT	CHKD	APPD
	HFRR-4	40-128	X	EXP. RELEASE	10/10/69				
			O	ORIGINAL RELEASE	10/13/69				
			A	ADD P/N CHART, DIM. & MTG. HOLE DELE MFR CAT. # REF	6/3/70	19870			

TMC MFG. CODE NO.: S401-167

SPECIFICATIONS:

CERAMIC FORM, SLUG TUNED
FREQ. RANGE: 40 - 300 MC.

RECOMENDED
MTG. HOLE



TMC P/N	MFR P/N	IND @ 25 MC
CL 454	3338-7	.87 TO 1.3 μH
CL 454-2	3338-6	.6 TO .87 μH

<small>UNLESS OTHERWISE SPECIFIED DIMENSIONS ARE IN INCHES AND INCLUDE CHEMICALLY APPLIED OR PLATED FINISHES</small> <small>DECIMALS FRACTIONS</small> <small>.X ± .05 1/64</small> <small>.XX ± .01 TOLS. ANGLES</small> <small>.XXX ± .005 0° - 30'</small>	REQ'D	ITEM	PART NUMBER	DESCRIPTION	SYM.		
	LIST OF MATERIAL						
	<small>FINAL APPROVAL</small> <small>MECH. DES.</small>				THE TECHNICAL MATERIEL CORP. MAMARONECK, NEW YORK		
	<small>ELECT. DES.</small>						
MATERIAL	<small>CHECKED</small> <small>DRAWN</small>				COIL, RF, ADJUSTABLE		
FINISH							
<small>NOTICE TO PERSONS RECEIVING THIS DRAWING</small> <small>THE TECHNICAL MATERIEL CORPORATION claims proprietary right in the material disclosed hereon. This drawing is issued in confidence for engineering information only and may not be reproduced or used to manufacture anything shown hereon without permission from THE TECHNICAL MATERIEL CORPORATION to the user. This drawing is loaned for mutual assistance and is subject to recall at any time.</small>				SIZE A	CODE IDENT. NO. 82679	DWG NO. CL 454	ISSUE A
SCALE				SHEET		OF	