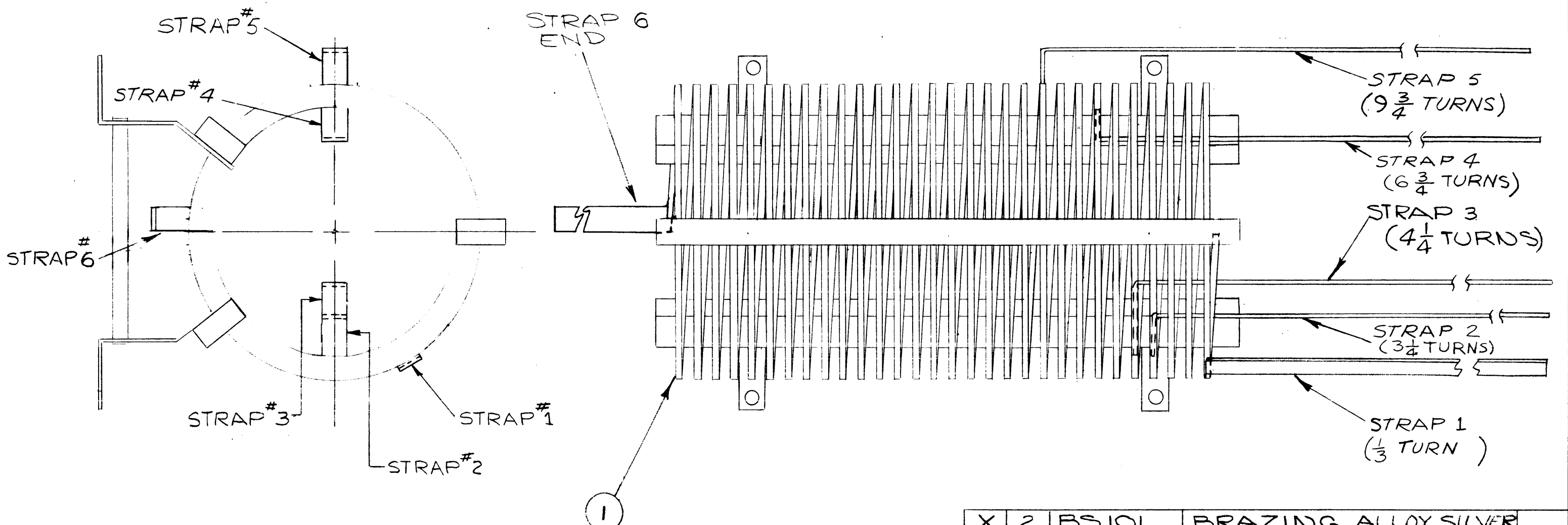


STRAP	"A" DIM	"B" DIM	HOLE
1	—	4"	—
2	3/8"	5"	—
3	3/8"	6"	—
4	3/4"	6"	—
5	3/8"	7"	—
6	3/8"	6"	11/64

MATERIAL-1/4 X .032 THICK  
 FINISH- S245 SILVER PLATE  
 S423 SILVER KOTE

REVISIONS						
ZONE	LTR	DESCRIPTION	DATE	E.M.N.NO	DRAFT	CHKD APPD
	X	EXP RELEASE	11-13-67			
	X1	ADDED STRAP 1	1-24-67			
	X2	ADDED STRAP 4	2-15-68			
	Ø	ORIG RELEASE FOR PROD	5-24-68		R.G.	



X	2	BS101	BRAZING, ALLOY, SILVER	
1	1	CL118-22	COIL, RF, FIXED	
REQ'D	ITEM	PART NUMBER	DESCRIPTION	SYM.
F. BUDETTI LIST OF MATERIAL				

NOTES:  
 SOLDER STRAPS TO COIL AS SHOWN  
 USING ITEM 2

1	LPA-2	
QTY / UNIT	MODEL USED ON	ASS'Y NO.
APPLICATION		
	CODE A	S401-451

NOTICE TO PERSONS RECEIVING THIS DRAWING  
 THE TECHNICAL MATERIEL CORPORATION claims proprietary right in the material disclosed hereon. This drawing is issued in confidence for engineering information only and may not be reproduced or used to manufacture anything shown hereon without permission from THE TECHNICAL MATERIEL CORPORATION to the user. This drawing is loaned for mutual assistance and is subject to recall at any time.

UNLESS OTHERWISE SPECIFIED DIMENSIONS ARE IN INCHES AND INCLUDE CHEMICALLY APPLIED OR PLATED FINISHES		FINAL APPROVAL	DATE
		MECH. DES.	DATE
DECIMALS .X ± .05 .XX ± .01 .XXX ± .005		ELECT. DES.	DATE
FRACTIONS 1/64		CHECKED	DATE
TOLS. ANGLES 0° -30'		DRAWN	DATE
MATERIAL			
FINISH			

THE TECHNICAL MATERIEL CORP. MAMARONECK, NEW YORK			
COIL, RF, FIXED			
SIZE	CODE IDENT. NO.	DWG NO.	ISSUE
B	82679	CL428	Ø
SCALE 1:1		SHEET OF	