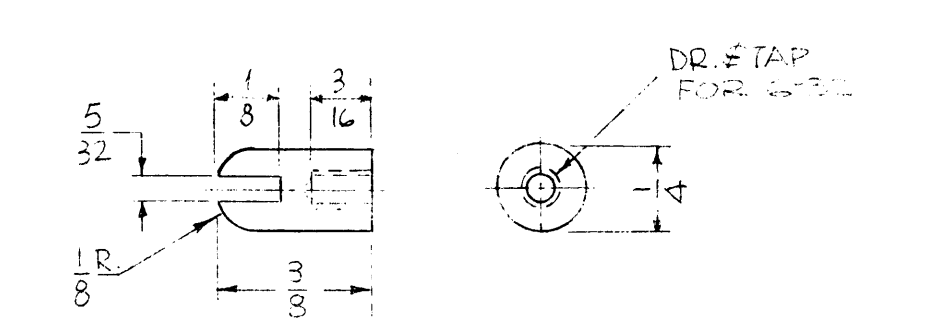
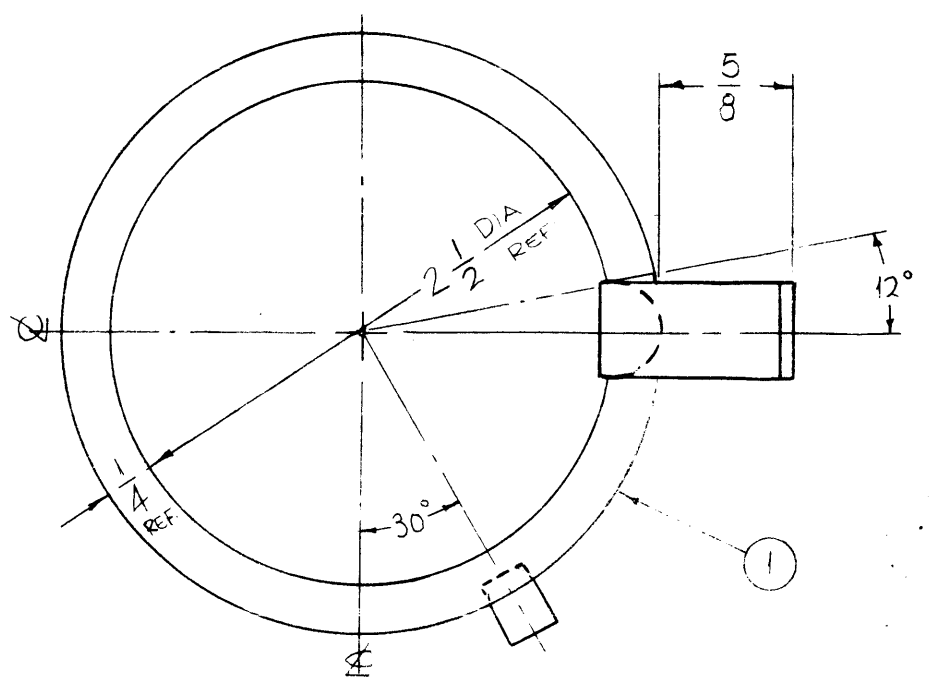
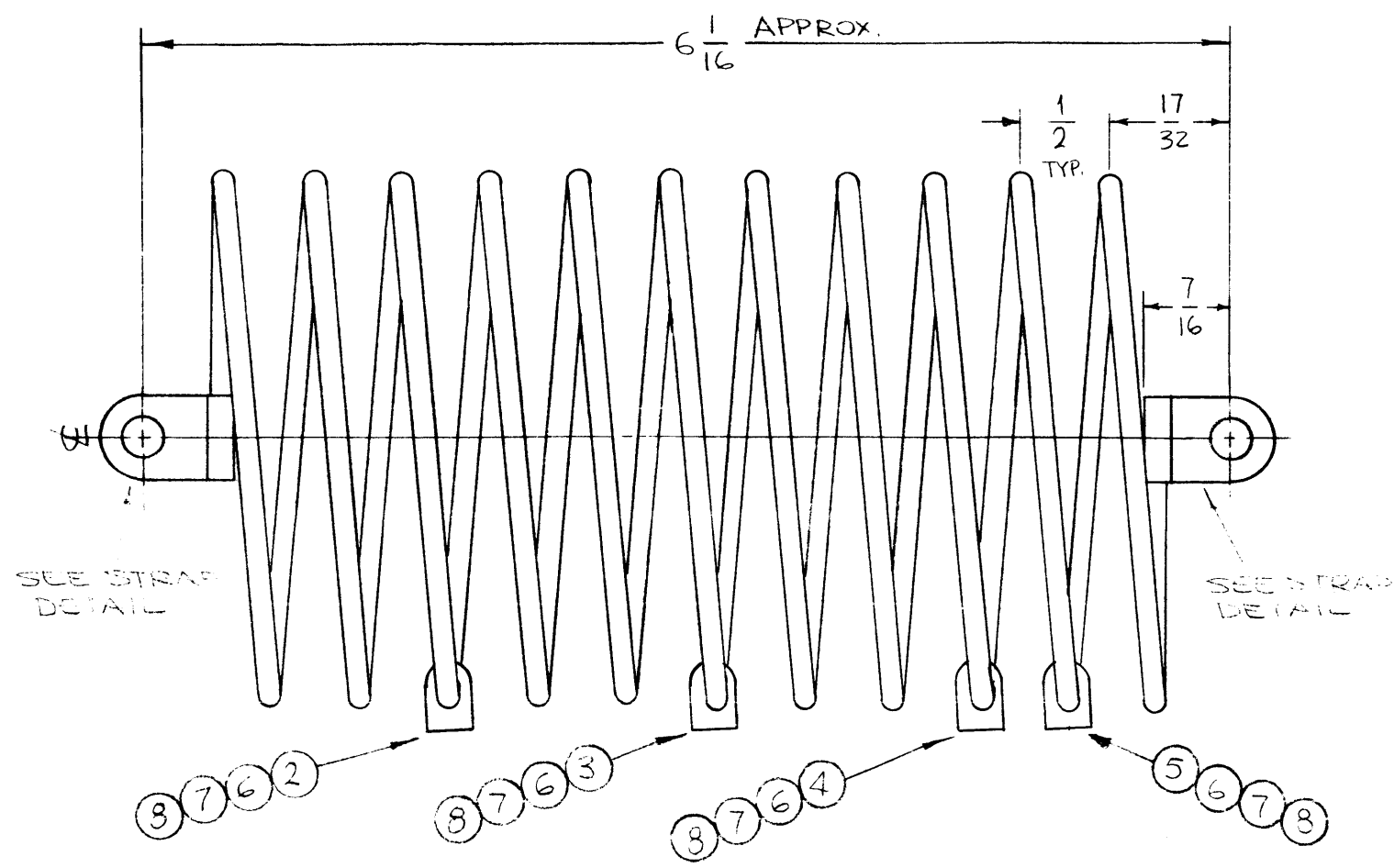
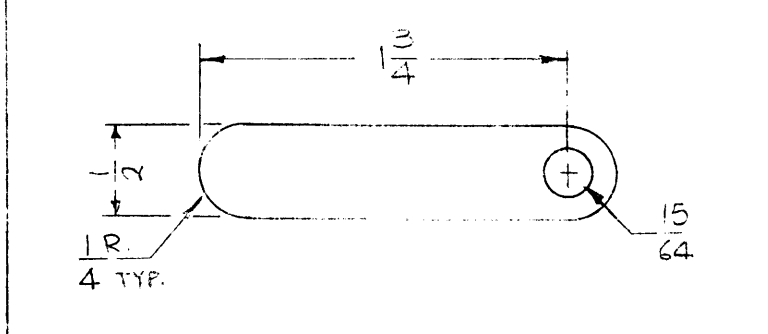


CL368

REVISIONS						
SYM	DESCRIPTION	DATE	E.M.N. NO.	DRAFT	CHKD	APP
X1	STUDS WERE ON $\phi$ , 5/8 WAS 11/16, 7/16 WAS 3/8, 6/16 WAS 6	4-27-65	X1	SRG	DA	
X2	1 STUD REMOVED, STRAP 6 ADDED (MAT'L WAS 040 ON 526)	7-1-65	X2	JAY	DA	
X3	BUILDUP ADDED, DELETED STRAPS FROM DWG. S423 ADDED	4/20/66	X3	W	JAY	JAY
$\phi$	MATERIAL CLARIFIED	7/21/66	$\phi$		JAY	JAY
	ORIGINAL RELEASE FOR PROD					



MAT'L - 1/2 HARD BRASS  
STUD - DETAIL (4 REQ)



MAT'L - .054 THICK SOFT ROLLED COPPER  
STRAP - DETAIL (2 REQ)

NOTE:  
BRAZE 4 STUDS & 2 STRAPS AS SHOWN.

**NOTES**

1	TST -10K	
Q'TY./UNIT	MODEL USED ON	ASSY. NO.
SCALE	CODE	
1:1	A	

THE CONTENTS OF THIS DRAWING ARE THE EXCLUSIVE PROPERTY OF THE TECHNICAL MATERIEL CORP. ITS UNAUTHORIZED USE OR REPRODUCTION IN WHOLE OR IN PART IS STRICTLY FORBIDDEN.

REQ'D.	ITEM	PART NUMBER	DESCRIPTION	SYMBOL
x	9	BS 101	BRAZE, ALLOY, SILVER	
4	8	SCBP0632BP4	SCREW, MACHINE	
4	7	FW06 HRP	WASHER, FLAT	
4	6	LWEO6MRS	WASHER, LOCK EXT.	
1	5	MS3284-22	LEAD, ELECT	
1	4	MS3284-21		
1	3	MS3284-20		
1	2	MS3284-19	LEAD, ELECT	
1	1	CL133-2-R11.125-CW	COIL, RF	

F. BUDETTI		LIST OF MATERIAL			
MATERIAL		THE TECHNICAL MATERIEL CORP. MAMARONECK, NEW YORK			
SEE DWG		TITLE COIL, RF (L SECTION)			
FINISH S245 SILVER PLATE S423 IRIDITE 18P SILVER KOTE		DRAWN WB		DATE 4-8-65	
UNLESS OTHERWISE SPECIFIED DIMENSIONS ARE IN INCHES AND INCLUDE CHEMICALLY APPLIED OR PLATED FINISHES		CHECKED JCB		FINAL APPROVAL JAY	
DECIMALS .X ± .05 .XX ± .01 .XXX ± .005		ELECT. DES. Wc		DATE 4/21/66	
FRACTIONS ± 1/64 ANGLES ± 0° 30'		MECH. DES. JAY		DATE 4-20-64	
TOLERANCES		ML		SHEET	
		JAY		REV. LTR.	