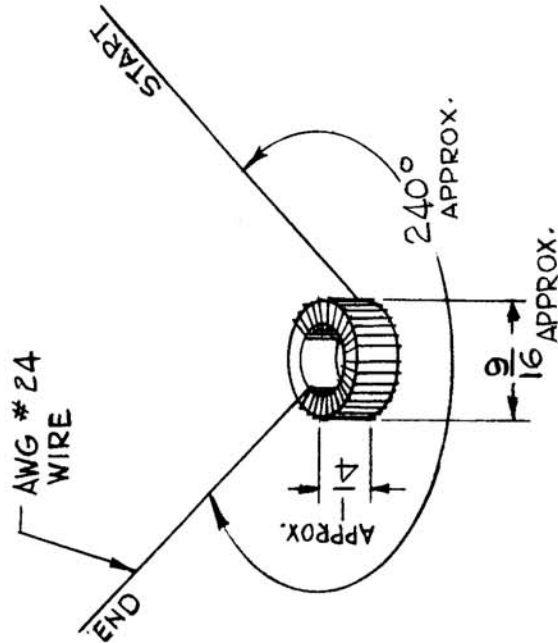


THE CONTENTS OF THIS DRAWING ARE THE EXCLUSIVE PROPERTY OF THE TECHNICAL MATERIEL CORP. ITS UNAUTHORIZED USE OR REPRODUCTION IN WHOLE OR IN PART IS STRICTLY FORBIDDEN.

REQ. PER UNIT	MODEL	USED ON
1	HFR-1A	ASSY. NO.
1	HFR-2	DATE
		2-25-64

CL 334

A



BOTH LEADS 2" LONG



SCHEMATIC

— ELECTRICAL SPECIFICATIONS —

$L = 1.44 \mu h \pm 0.1 \mu h$

$Q = 210 \text{ MIN. @ } 11.75 \text{ MC.}$

$C_{\text{dist}} = 0.4 \mu f \text{ (REF ONLY)}$

\* NOTE: USE TMC COIL STANDARDS FOR TEST REFERENCE.

REQ. ITEM	PART NO.	ANGER	DESCRIPTION	SYMBOL
			THE TECHNICAL MATERIEL CORP. MAMARONECK, NEW YORK	
			COIL, RF TOROID	
			BAND #5 OSC.	
			G.D.L.	
			DRAWN	CHECKED
			FINISH & SPEC. NO.	FINAL APPROVAL
				CL 334
				A

SYM	DESCRIPTION	DATE	CH. NO.	DRAFTS	CHECKER	ENG. APP.
A	NOTE ADDED	1-12-67	17575	RME	G.D.L.	
Q	ORIGINAL RELEASE FOR PRODUCTION	8-13-64				
X	EXPERIMENTAL RELEASE	3-26-64				

UNLESS OTHERWISE SPECIFIED:	SCALE: NONE	IA 3499
DIMENSIONS ARE IN INCHES	MAXIMUM ALLOWABLE TOLERANCES HAVE BEEN DETERMINED AND ANY DEVIATIONS WILL BE CAUSE FOR REJECTION.	
TOLERANCES ON	REMOVE ALL BURRS AND SHARP EDGES	
FRAC. $\pm 1/64$	DEC. $\pm .005$	ANGLES $\pm 1/20$