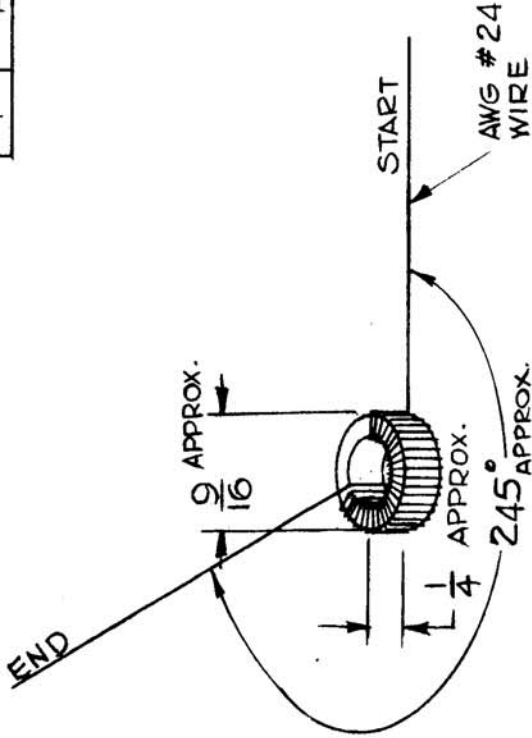


THE CONTENTS OF THIS DRAWING ARE THE EXCLUSIVE PROPERTY OF THE TECHNICAL MATERIEL CORP. ITS UNAUTHORIZED USE OR REPRODUCTION IN WHOLE OR IN PART IS STRICTLY FORBIDDEN.

REQ. PER UNIT	MODEL	USED ON
1	HFR-1A	ASS'Y. NO.
1	HFR-2	DATE
		2-24-64

CL 333

A



BOTH LEADS 2" LONG



SCHEMATIC

MODEL	REQ.	FUNCTION	FREQ (MC)	SYMBOL
HFR-1A	1	BAND*4 OSC.	7.75 - 9.75	L-1032
HFR-2	1	BAND*4 OSC.	7.75 - 9.75	L-1032

— ELECTRICAL SPECIFICATIONS —

L = 1.13 μ h \pm 0.1
 Q = 185 MIN AT 8.75MC.
 Cdist = 0.3 μ wf. (REF ONLY)

* NOTE: USE TMC COIL STANDARDS FOR TEST REFERENCE.

REQ. ITEM	PART NO.	ANGER	DESCRIPTION	SYMBOL
			THE TECHNICAL MATERIEL CORP. MAMARONECK, NEW YORK	
			COIL, RF, TOROID	
			BAND*4 OSC.	
		G.D.L		
			CHECKED	FINAL APPROVAL
			DRAWN	
			ELEC. DES. APP.	
			MECH. DES. APP.	
				CL 333
				A

SYM	DESCRIPTION	DATE	CH. NO.	DRAFTS	CHECKER	ENG. APP.
A	NOTE ADDED	1-12-67	17575	RME	GDL	
X	ORIGINAL RELEASE FOR REPRODUCTION	8-13-64				
X	EXPERIMENTAL RELEASE	3-26-64				

SCALE: NONE IA 3497

UNLESS OTHERWISE SPECIFIED: DIMENSIONS ARE IN INCHES TOLERANCES ON FRAC. \pm 1/64 DEC. \pm .05 ANGLES \pm 1/20

MAXIMUM ALLOWABLE TOLERANCES HAVE BEEN DETERMINED AND ANY DEVIATIONS WILL BE CAUSE FOR REJECTION. REMOVE ALL BURRS AND SHARP EDGES