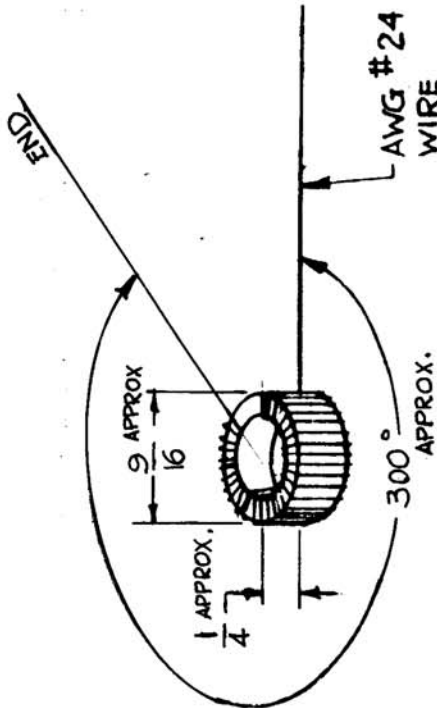


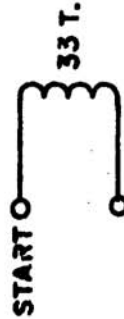
THE CONTENTS OF THIS DRAWING ARE THE EXCLUSIVE PROPERTY OF THE TECHNICAL MATERIEL CORP. ITS UNAUTHORIZED USE OR REPRODUCTION IN WHOLE OR IN PART IS STRICTLY FORBIDDEN.

REQ. PER UNIT	1	MODEL	HFR-1A	USED ON	CL 331
	1		HFR-2	DATE	2-25-64



BOTH LEADS 2" LONG

**SCHMATIC**



MODEL	REQ.	FUNCTION	FREQ. (MC)	SYMBOL
HFR-1A	1	BAND #2, OSC	4.75 - 5.75	L-1022
HFR-2	1	BAND #2, OSC	4.75 - 5.75	L-1022

**— ELECTRICAL SPECIFICATIONS —**

L = 4.7  $\mu$ h  $\pm$  0.15  $\mu$ h  
 Q = 210 MIN @ 5.25 MC  
 C dist = 0.7  $\mu$ mf. (FOR REF. ONLY)

\* NOTE: USE TMC COIL STANDARDS FOR TEST REFERENCE.

REQ. ITEM	PART NO.	DESCRIPTION	SYMBOL
		THE TECHNICAL MATERIEL CORP. MAMARONECK, NEW YORK	
		COIL, RF, TOROID	
		BAND 2 - OSC	
		G.D.L.	RJC
		DRAWN	FINAL APPROVAL
		CHECKED	
		CL 331	A
		MECH. DES. APP.	
		FINISH & SPEC. NO.	
		TYPE & TEMPER	
		HFATTREAT. SPEC.	
		CHECKER	
		DATE	
		CH. NO.	
		DRAFTS	
		CHECKER	
		ENG. APP.	
		SCALE: NONE	IA 3493
		MAXIMUM ALLOWABLE TOLERANCES HAVE BEEN DETERMINED AND ANY DEVIATIONS WILL BE CAUSE FOR REJECTION. REMOVE ALL BURRS AND SHARP EDGES	
		UNLESS OTHERWISE SPECIFIED: DIMENSIONS ARE IN INCHES TOLERANCES ON FRAC. $\pm$ 1/64 DEC. $\pm$ .005 ANGLES $\pm$ 1/2 $^\circ$	
		X EXPERIMENTAL RELEASE	
		O ORIGINAL RELEASE FOR PRODUCTION	
		A NOTE ADDED	
		1-12-67 17575 RME G.D.L.	
		9-3-64	
		3/25/64	