

REQ. PER UNIT	USED ON	MODEL	ASS'Y. NO.	DATE
1	LFS-1	A 3309		

CL 329 Ø

COIL, R.F., TUNED

WINDING DATA:

TYPE - P1
 NO. OF TURNS - 920
 INDUCTANCE - 3.3 mh ±3%
 D.C. RESISTANCE - 58-61
 CURRENT RATING - NOT RATED
 COIL FORM DATA:

MATERIAL - MYLAR

CORE DATA:

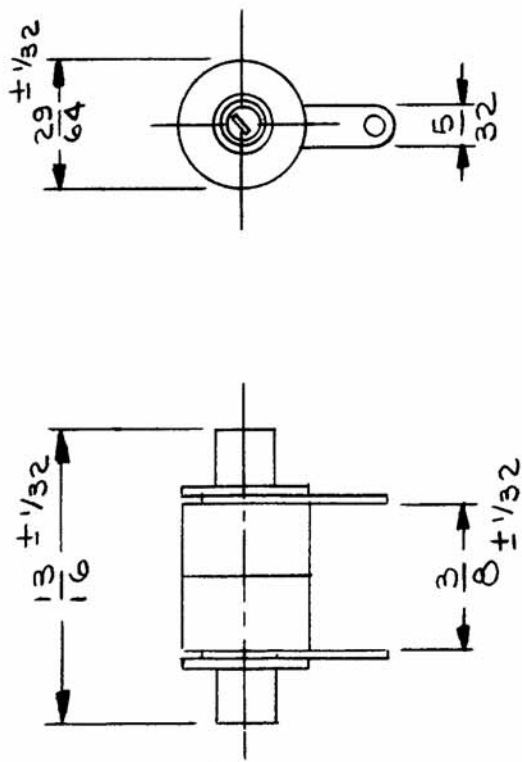
QUANTITY - 1
 MATERIAL - FERRITE-ADJUSTABLE

CASE DATA:

MATERIAL - POWDERED IRON
 FINISH - NONE

TERMINAL DATA:

QUANTITY - 2
 TYPE - SOLDER LUG



SCHEMATIC DIAGRAM

REQ. ITEM	PART NO.	M. GELLMAN DESCRIPTION		SYMBOL
		THE TECHNICAL MATERIEL CORP. MAMARONECK. NEW YORK		
	STOCK SIZE	COIL, R.F., TUNED		
	SEE SPECS			
	MATERIAL	J. LESHINSKI	CHECKED	FINAL APPROVAL
	TYPE & TEMPER	DRAWN		
	HEAT TREAT. SPEC.			
	FINISH & SPEC. NO.	ELEC. DES. APP.	Mech. DES. APP.	
				CL 329 Ø

SYM	DESCRIPTION	DATE	CH. NO.	DRAFTS	CHECKER	ENG. APP.
Ø	ORIGINAL RELEASE FOR PRODUCTION	7-27-64	Ø	6 DL		
UNLESS OTHERWISE SPECIFIED DIMENSIONS ARE IN INCHES AND INCLUDE CHEMICALLY APPLIED OR PLATED FINISHES						
SCALE NONE						
TOLERANCES						
FRACTIONS ± 1/64						
DECIMALS ± .01						
ANGLES ± 0° 30'						
XXX ± .005						
CODE A						
4A 3360						