

REQ. PER UNIT	USED ON	MODEL	ABS'Y. NO.	DATE
4	LFS-1	A 3309	12-9-62	CL 328

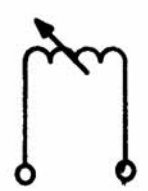
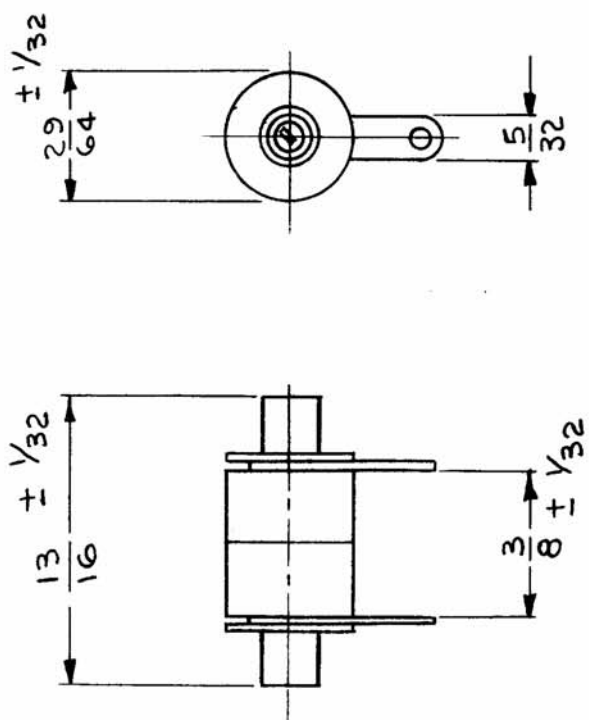
COIL, R.F., TUNED

WINDING DATA:
 TYPE = P1
 NO. OF TURNS = 170
 INDUCTANCE = .158 mh \pm 3%
 D.C. RESISTANCE = 6.0-6.2
 CURRENT RATING = NOT RATED
 COIL FORM DATA:
 MATERIAL = MYLAR

CORE DATA:
 QUANTITY = 1
 MATERIAL = FERRITE-ADJUSTABLE

CASE DATA:
 MATERIAL = POWDERED IRON
 FINISH = NONE

TERMINAL DATA:
 QUANTITY = 2
 TYPE = SOLDER LUG



SCHEMATIC DIAGRAM

REQ. ITEM	PART NO.	GELLMAN	DESCRIPTION	SYMBOL		
	4		THE TECHNICAL MATERIEL CORP. MAMARONECK. NEW YORK			
	SEE SPECS		COIL, R.F., TUNED			
	MATERIAL					
	TYPE & TEMPER					
	HEAT TREAT. SPEC.					
	FINISH & SPEC. NO.					
SYM	DESCRIPTION	DATE	CH. NO.	DRAFTS	CHECKER	ENG. APP.
Ø	ORIGINAL RELEASE FOR PRODUCTION	7-27-64	Ø	G.D.L		
UNLESS OTHERWISE SPECIFIED DIMENSIONS ARE IN INCHES AND INCLUDE CHEMICALLY APPLIED OR PLATED FINISHES						
SCALE DO NOT SCALE						
TOLERANCES						
FRACTIONS						
DECIMALS						
ANGLES						
CODE						
4 A 3359						
ELEC. DES. APP. MECH. DES. APP.						
DRAWN						
CHECKED						
FINAL APPROVAL						
CL 328						