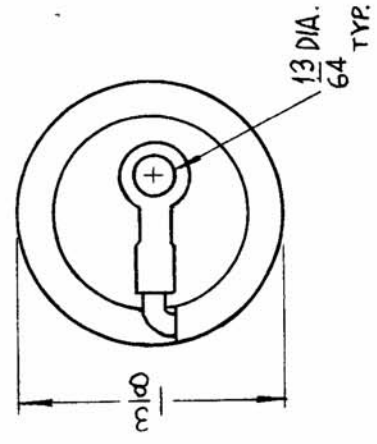
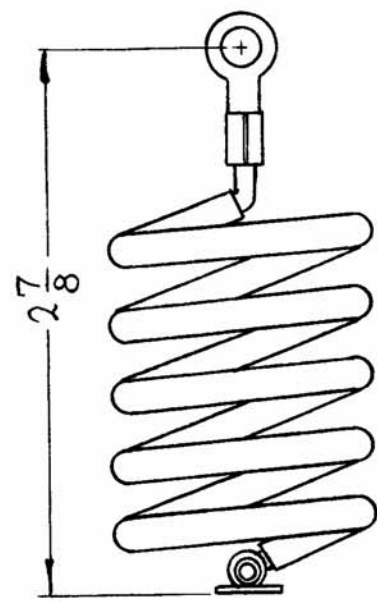


REQ. PER UNIT	1	USED ON	CL 312
MODEL	GPI-200K (AF-105)	ASSY. NO.	A-2765
DATE	4-30-64		

SPECIFICATIONS

Q-350 OR GREATER  
 L- .52 ±10% MICRO HENRIES



REQ. ITEM	PART NO.	F. BUDETTI		DESCRIPTION	SYMBOL
				THE TECHNICAL MATERIEL CORP. MAMARONECK. NEW YORK	
				COIL, RF	
				SRG	a.a.
				DRAWN	CHKD
				TYPE & TEMPER	HEAT TREAT. SPEC.
				FINISH & SPEC. NO.	
				DATE	CH. NO.
				5-28-64	0
				DRAFTS	CHECKER
				SCALE	ENG. APP.
				1" = 1"	
				DESCRIPTION	CODE
				ORIGINAL RELEASE FOR PRODUCTION	1A-3466
				UNLESS OTHERWISE SPECIFIED DIMENSIONS ARE IN INCHES AND INCLUDE CHEMICALLY APPLIED OR PLATED FINISHES	
				DECIMALS	FRACTIONS
				.X ± .05	± 1/64
				.XX ± .01	ANGLES
				.XXX ± .005	± 0° 30'
				TOLERANCES	
				ELEC. DES. APP.	MECH. DES. APP.
				CL 312	CL 312