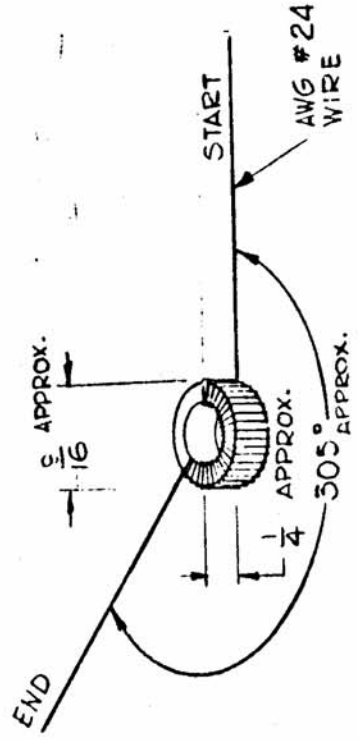


THE CONTENTS OF THIS DRAWING ARE THE EXCLUSIVE PROPERTY OF THE TECHNICAL MATERIEL CORP. ITS UNAUTHORIZED USE OR REPRODUCTION IN WHOLE OR IN PART IS STRICTLY FORBIDDEN.

REQ. PER U"IT	1
MODEL	HFR-1/T
USED ON ASSY NO.	A-2450
DATE	6-7-62

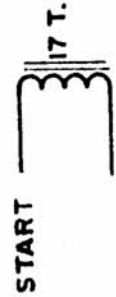
CL-301

MODEL	REQ.	FUNCTION	FREQ (MC)	SYMBOL
HFR-1/T	1	BAND*4 OSC.	7.75 - 9.75	L-1032



— ELECTRICAL SPECIFICATIONS —
 $L = 1.25 \mu h \pm 0.05$
 $Q = 185 \text{ MIN AT } 8.75 \text{ MC.}$

BOTH LEADS 2" LONG



SCHEMATIC

SYM	DESCRIPTION	DATE	CH. NO.	DRAFTS	CHECKER	ENG. APP.
UNLESS OTHERWISE SPECIFIED: DIMENSIONS ARE IN INCHES TOLERANCES ON FRAC. $\pm 1/64$ DEC. $\pm .008$ ANGLES $\pm 1/2^\circ$						
SCALE: 1A-2450 MAXIMUM ALLOWABLE TOLERANCES HAVE BEEN DETERMINED AND ANY DEVIATIONS WILL BE CAUSE FOR REJECTION. REMOVE ALL BURRS AND SHARP EDGES						

REQ. ITEM	PART NO.	ANGER	DESCRIPTION	SYMBOL
			THE TECHNICAL MATERIEL CORP. MAMARONECK, NEW YORK	
			COIL, RF, TORCID	
			BAND 4 OSC	
			G.D.L. A.D.	6-3-63
			YFH	
			CHECKED	
			DRAWN	FINAL APPROVAL
			MECH. DES. APP.	
			ELEC. DES. APP.	CL-301