

THE CONTENTS OF THIS DRAWING ARE THE EXCLUSIVE PROPERTY OF THE TECHNICAL MATERIEL CORP. ITS UNAUTHORIZED USE OR REPRODUCTION IN WHOLE OR IN PART IS STRICTLY FORBIDDEN.

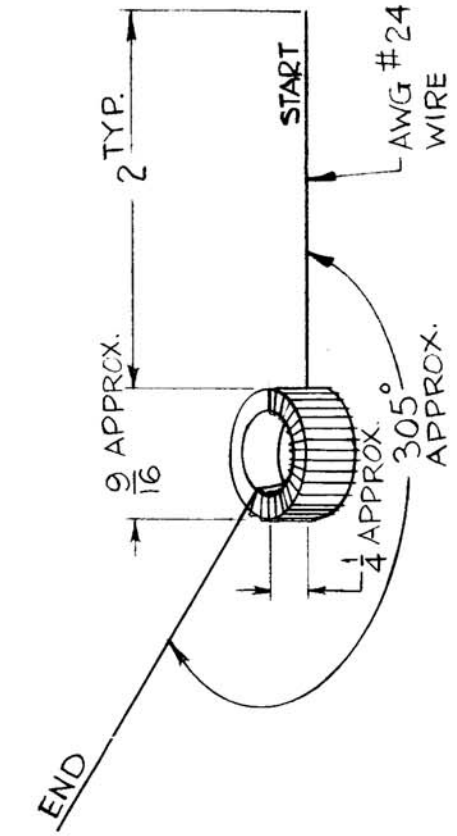
REQ. PER UNIT  
1

MODEL  
HFR-1/T

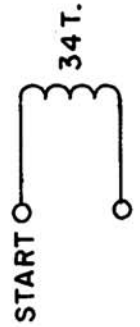
USED ON  
ASSY. NO.

DATE  
6-7-62

CL-299



SCHEMATIC



— ELECTRICAL SPECIFICATIONS —

$L = 4.5 \mu h \pm 0.1 \mu h$   
 $Q = 220 \text{ MIN @ } 5.25 \text{ MC}$

MODEL	REQ.	FUNCTION	FREQ.(MC)	SYMBOL
HFR-1/T	1	BAND#2, OSC	4.75 - 5.75	L-1022

REQ. ITEM	PART NO.	ANGER	DESCRIPTION	SYMBOL		
			THE TECHNICAL MATERIEL CORP. MAMARONECK, NEW YORK			
			COIL, RE, TOROID			
			BAND 2 - OSC			
		V.R.R.	<i>Jwa</i>			
		DRAWN	CHECKED	FINAL APPROVAL		
		V. ANGER		CL-299		
			ELEC. DES. APP. MECH. DES. APP.			
SYM	DESCRIPTION	DATE	CH. NO.	DRAFTS	CHECKER	ENG. APP.
UNLESS OTHERWISE SPECIFIED: DIMENSIONS ARE IN INCHES TOLERANCES ON FRAC. $\pm 1/64$ DEC. $\pm .005$ ANGLES $\pm 1/2^\circ$						
SCALE: 1A-2488 MAXIMUM ALLOWABLE TOLERANCES HAVE BEEN DETERMINED AND ANY DEVIATIONS WILL BE CAUSE FOR REJECTION. REMOVE ALL BURRS AND SHARP EDGES						