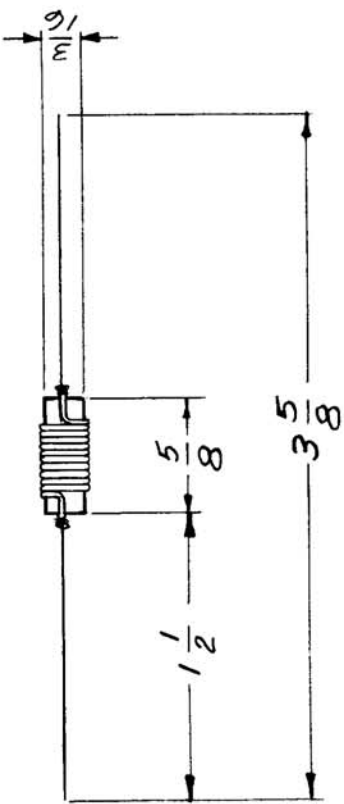


THE CONTENTS OF THIS DRAWING ARE THE EXCLUSIVE PROPERTY OF THE TECHNICAL MATERIEL CORP. ITS UNAUTHORIZED USE OR REPRODUCTION IN WHOLE OR IN PART IS STRICTLY FORBIDDEN.		REQ. PER UNIT	1	USED ON	CL-281
		MODEL	AFC-2	ASS'Y. NO.	
		DATE	12/18/61		
		H. F. OSC.			

SPECIFICATIONS

L = 17.5 uhy (+ 1%)  
 Q = 90 or greater  
 FREQ. = 2.5 mcs



REQ. ITEM	PART NO.	DESCRIPTION	SYMBOL
		THE TECHNICAL MATERIEL CORP. MAMARONECK, NEW YORK	
		COIL, RF TUNED	
		H.F. OSC.	
		W.S.	W.S.
		CHECKED	FINAL APPROVAL
		DRAWN	
		ELEC. DES. APP.	
		MECH. DES. APP.	
		FINISH & SPEC. NO.	CL-281
		SCALE: 1 A - 2270	
		DATE	
		CH. NO.	
		DRAFTS	
		CHECKER	
		ENG. APP.	
		STOCK SIZE	
		MATERIAL	
		TYPE & TEMPER	
		HEAT TREAT. SPEC.	

UNLESS OTHERWISE SPECIFIED:  
 DIMENSIONS ARE IN INCHES  
 TOLERANCES ON  
 FRAC. ± 1/64 DEC. ± .005 ANGLES ± 1/2°