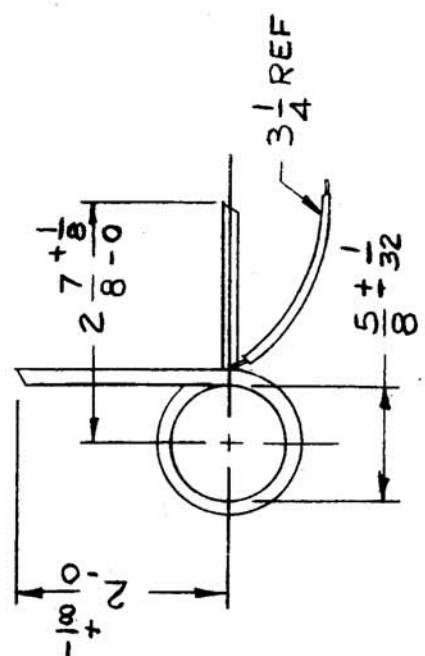
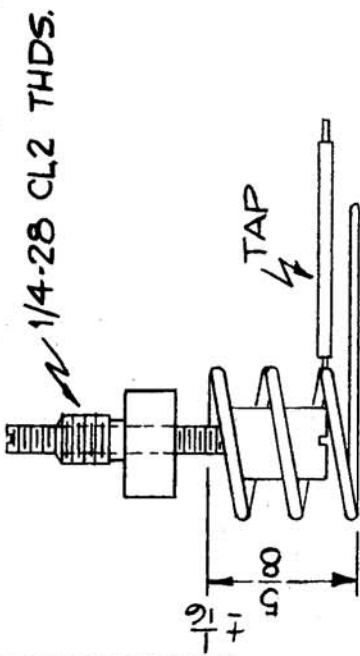


UNIT	MODEL	ASSEMBLY NO.	DATE
1	RFD-1	PAL-1K, SBT-1K	11-10-60
1	RFD-2		6-11-64

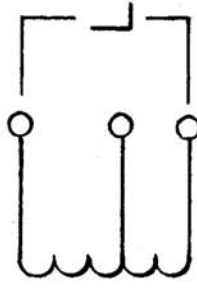
CL-260 D

USED ON MODEL	QUAN. PER UNIT	FUNCTION	OPER. FREQ.	SCHEMATIC SYMBOL	TMC PART NO	CORE COLOR
RFD-1A	1	DRIVER PLATE TANK COIL	22-32MC	L 225	CL 260-1	RED
RFD-2	1	DRIVER PLATE TANK COIL	19.5-32MC	L 225	CL 260-2	WHITE



SPECIFICATIONS (w/o CORE)

L = LESS THAN .190  $\mu$ hy  
 Q (at Test Freq.) = 120  
 TEST FREQ. = 25 MC



ISSUE ITEM	CHANGED FROM	DATE	CH. NO.	DRAFTS	CHECKER	ENG. APP.
A	TMC PART NO. 8 RFD-2 ADDED TO CHART ON TITLE BLOCK 22-32MC DELETED	6/11/64	1546	AM.	@	R
B	REVISED DIMS.	6/3/66	16328	C.H.		
C	"L" WAS .156 UHY	9-26-66	16903	RME		
D	LESS THAN ADDED TO "L"	11-10-67	18594	HR.		

DESCRIPTION	SYMBOL
THE TECHNICAL MATERIEL CORP. MAMARONECK, NEW YORK	
COIL, R.F., TUNED	

TYPE & TEMPER	HEAT TREAT. SPEC.
DRAWN	CHECKED
M.F.	J.W.
FINISH & SPEC. NO.	ELEC. DES. APP. MECH. DES. APP.