

REQ. PER UNIT	1	USED ON	CL-259	C
MODEL	RFD-1	ASSY. NO.	PAIK, BT-1K	DATE
				10-31-60

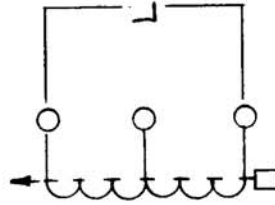
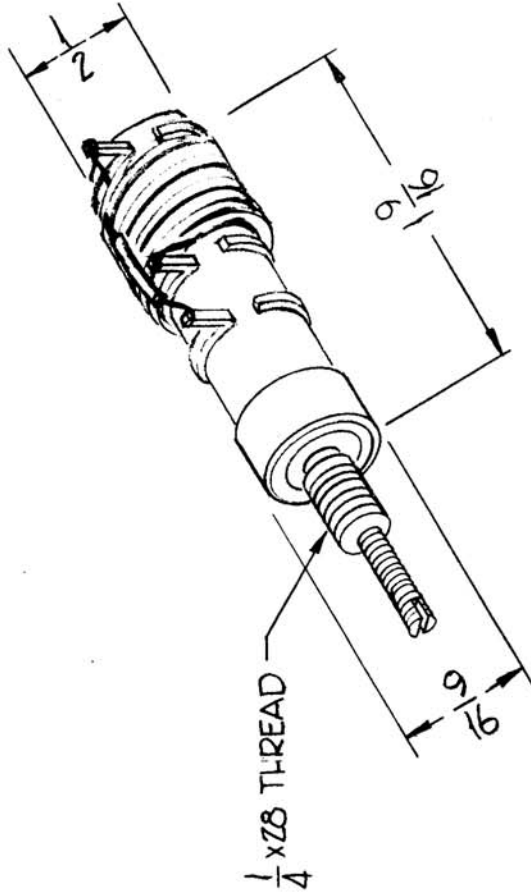
ELECTRICAL SPECIFICATIONS

OPERATING FREQUENCY RANGE 16-22 MC.

- L - MINIMUM LESS THAN .50 μ hy \pm 5%
- L - MAXIMUM GREATER THAN .65 μ hy \pm 5%
- Q - GREATER THAN 130
- F - 75 mc

MECHANICAL SPECIFICATIONS

- PHENOLIC COIL FORM
- POWDERED IRON TUNING SLUG
- STUD MOUNTED
- 5 TURNS
- AWG #18 BUSS WIRE



REQ. ITEM	PART NO.	DESCRIPTION	SYMBOL
C		THE TECHNICAL MATERIEL CORP. MAMARONECK, NEW YORK	
B		COIL, RF, TUNED, 16-22 MC (L224)	
A			
ISSUE ITEM	CHANGED FROM		
TOLERANCES			
DEC. DIM. \pm			
FRAC. DIM. \pm			
ANGULAR DIM. \pm			
TERM. RINGS RELOCATED	7-5-66	16495	Sub
.50 μ hy \pm 5% WAS .55 μ hy	11-21-63	10431	RE
.65 μ hy \pm 5% WAS .85 μ hy	11-23-60	3569	MT
L = .55, L = .85, Q = 130			
L = .55, L = .85, Q = 130			
ADDED			
DATE	CH. NO.	DRAFTS	CHECKER
			ENG. APP.
			A-2005
SCALE:			
MAXIMUM ALLOWABLE TOLERANCES HAVE BEEN DETERMINED AND ANY DEVIATIONS WILL BE CAUSE FOR REJECTION. REMOVE ALL BURRS AND SHARP EDGES			
TYPE & TEMPER	HEAT TREAT. SPEC.	DRAWN	CHECKED
		DD	AM
FINISH & SPEC. NO.			
			FINAL APPROVAL
			CL-259
			C