

| | | | | | | | | |
|----------------|---|-------|-------|---------|-----------|--------|------|---------|
| REQ. PER. UNIT | 1 | MODEL | SBE-3 | USED ON | ASSY. NO. | AX-204 | DATE | 12-9-59 |
| | | | | | | | | CL-189 |
| | | | | | | | | C |

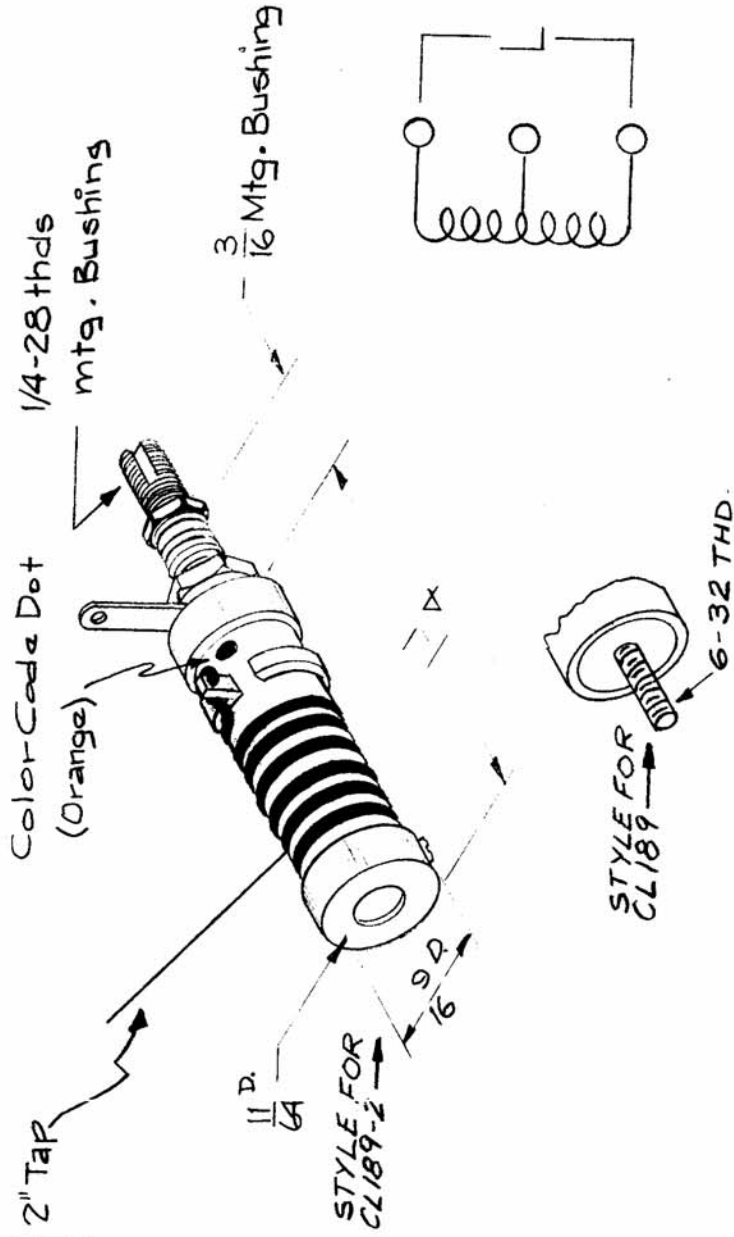
ELECTRICAL SPECIFICATIONS

L - .40(.39-.41) Microhenri s
 Q - 170 or greater
 FREQ. (Test) - 25 Mcs
 OPER. FREQ. - 16-32 Mcs

MECHANICAL SPECIFICATIONS

TOTAL TURNS - 6-1/2
 TAP - (SEE CHART)
 WIRE - No. 16 Buss
 TUNING SLUG - Powdered Iron
 FORM - Phenolic

| | |
|----------|-------------------|
| TMC P/N | TAP (FROM BOTTOM) |
| CL 189 | 1 1/2 TURNS |
| CL 189-2 | 2 1/2 TURNS |



| | | | |
|-----------|----------|--|----------------|
| REQ. ITEM | PART NO. | DESCRIPTION | SYMBOL |
| | | THE TECHNICAL MATERIEL CORP. MAMARONECK, NEW YORK | |
| | | COIL, RF, TUNED, BAND 4 | |
| | | 16-32 Mcs | |
| | | 16 | |
| | | DRAWN | CHECKED |
| | | 12-9-59 | FINAL APPROVAL |
| | | | CL-189 |
| | | | C |

| | | | | | | |
|------------|------------------------|----------|---------|--------|---------|-----------|
| ISSUE ITEM | CHANGED FROM | DATE | CH. NO. | DRAFTS | CHECKER | PRG. APP. |
| C | ADD P/N CHART | 7-13-72 | 20776 | GE | EP | EP |
| B | TERM. RELOCATED | 6-10-66 | 16370 | H/A | EP | EP |
| A | STYLE FOR PICT. ADDED. | 11/22/65 | 15225 | R.V. | EP | EP |

| | | |
|--|--------------|----------------|
| DEC. DIM. ± | FRAC. DIM. ± | ANGULAR DIM. ± |
| TOLERANCES | | |
| SCALE: NPL 2A-1519 | | |
| MAXIMUM ALLOWABLE TOLERANCES HAVE BEEN DETERMINED AND ANY DEVIATIONS WILL BE CAUSE FOR REJECTION. REMOVE ALL BURRS AND SHARP EDGES | | |
| FINISH & SPEC. NO. | | |
| ELEC. DES. APP. MECH. DES. APP. | | |