

CL-187 A

REQ. PER. UNIT	USED ON	DATE
1	ASSY. NO. AO-102	12-2-59
	MODEL SBE-3	

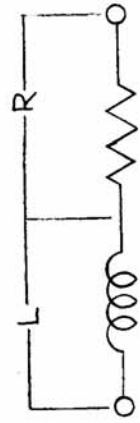
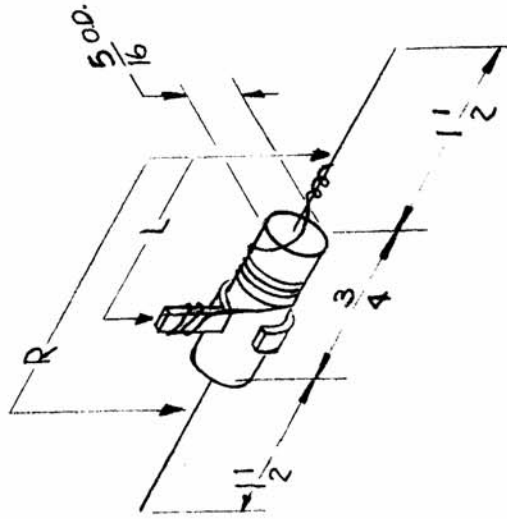
— ELECTRICAL SPECIFICATIONS —

"L" — Inductance — Zuhy (1.9 to 2.1)
 $Q = 50$ or Greater
 $F = 7.9$ mc

"R" — Resistance — 2.7K ohms
 1 watt

— MECHANICAL SPECIFICATIONS —

Wire #34 Magnet Wire. (22 Turns)



Schematic

REQ. ITEM	PART NO.	DESCRIPTION	SYMBOL
		THE TECHNICAL MATERIEL CORP. MAMARONECK, NEW YORK	
		PLATE LOAD & PEAKING COIL	
		DRAWN <i>SP. Nov 16</i>	
		CHECKED <i>GA.</i>	
		TYPE & TEMPER HEAT TREAT. SPEC.	FINAL APPROVAL
		MATERIAL	
		FINISH & SPEC. NO.	CL-187
			A

ISSUE ITEM	CHANGED FROM	DATE	CH. NO.	DRAFTS	CHECKER	ENG. APP.
A	"Q" WAS 65	7.13.66	16543	W40	<i>QJB</i>	
TOLERANCES		SCALE:	NPL 1A1466			
MAXIMUM ALLOWABLE TOLERANCES HAVE BEEN DETERMINED AND ANY DEVIATIONS WILL BE CAUSE FOR REJECTION. REMOVE ALL BURRS AND SHARP EDGES						
DEC. DIM. ±						
FRAC. DIM. ±						
ANGULAR DIM. ±						