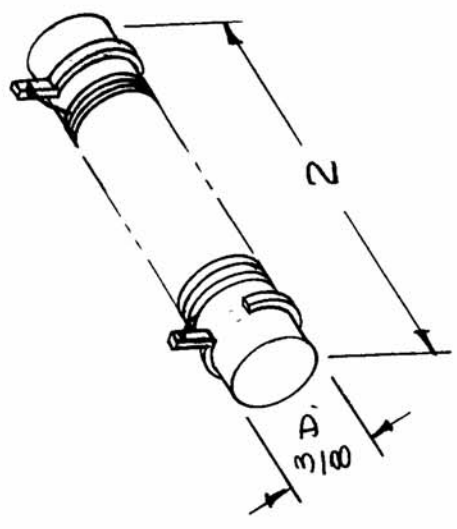


CL-178 A

USED ON		MODEL	DATE
REQ. PART. UNIT	ASSY. N.		
3	REF-1		9-23-59
1	GPT-10K	AX-137	
	REC-1		11-22-60

ELECT. SPECS.  
 L- 185  $\mu$ hy  $\pm$  15  $\mu$ hy  
 Q- 50 or Greater  
 F (Test)- 790 KC

MECH. SPECS.  
 Core- Ferrite  
 Winding- 60 turns # 26 Magnet Wire



REQ. ITEM		PART NO.	DESCRIPTION	SYMBOL
			THE TECHNICAL MATERIEL CORP. MAMARONECK, NEW YORK	
			COIL, RF, FIXED, 185 $\mu$ hy.	
			MATERIAL	
			TYPE & TEMPER	
			HEAT TREAT. SPEC.	
			DRAWN	
			CHECKED	
			FINISH & SPEC. NO.	
			ELEC. DES. APP	
			MECH. DES. APP	
				CL-178 A

6/9/10/59  
 JWD  
 Amps  
 FINAL APPROVAL

ISSUE ITEM  
 A (TERM RING REPOS.  
 CHANGED FROM  
 DATE 6.21.66  
 CH. NO. 16465  
 DRAFTS 440  
 CHECKER JWB  
 ENG. APP. 2A1126  
 SCALE:  
 MAXIMUM ALLOWABLE TOLERANCES HAVE BEEN DETERMINED AND ANY DEVIATIONS WILL BE CAUSE FOR REJECTION.  
 REMOVE ALL BURRS AND SHARP EDGES  
 TOLERANCES  
 DEC. DIM.  $\pm$  DIM.  
 FRAC. DIM.  $\pm$  FOR  
 ANGULAR DIM.  $\pm$  REF.