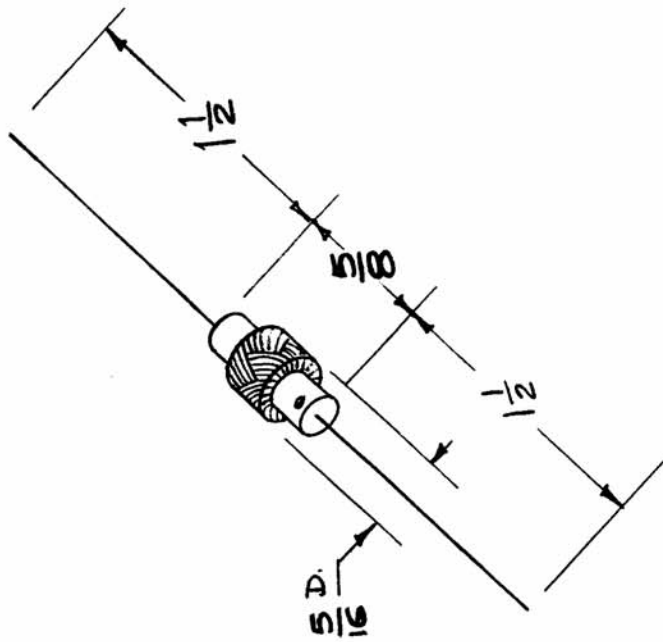


CL-177

USED ON		
REQ. PER UNIT	M DEL	DATE
1	GPT-10K AX-137	9-25-59
2	RFB-1 AX-165	11
17	RFB-1	11
1	SBE-3 A0-102	12-2-59
1	RFC-1	11-22-60



ELECTRICAL SPECS.  
 L- 128μhy (116-140)  
 Q- 100 or Greater  
 F(TEST) - 790 KC

MECHANICAL SPECS.  
 CORE- Powdered Iron  
 Winding- 100 turns of 541 Litz Wire  
 Color Code- Green

REQ. ITEM		PART NO.		DESCRIPTION		SYMBOL	
				THE TECHNICAL MATERIEL CORP.		NEW YORK	
				MAMARONECK,			
				COIL, RF, FIXED, 128μhy.			
				MATERIAL		16/9/59	
				STOCK SIZE		Checked	
				TYPE & TEMPER		DRAWN	
				HEAT TREAT. SPEC.		Final Approval	
				FINISH & SPEC. NO.		CL-177	

ISSUE ITEM CHANGED FROM

DATE CH. NO. DRAFTS CHECKER ENG. APP.

SCALE: 1A1045

TOLERANCES

DEC. DIM. ± DIM'

FRAC. DIM. ± FOR

ANGULAR DIM. ± REF.

MAXIMUM ALLOWABLE TOLERANCES HAVE BEEN DETERMINED AND ANY DEVIATIONS WILL BE CAUSE FOR REJECTION. REMOVE ALL BURRS AND SHARP EDGES