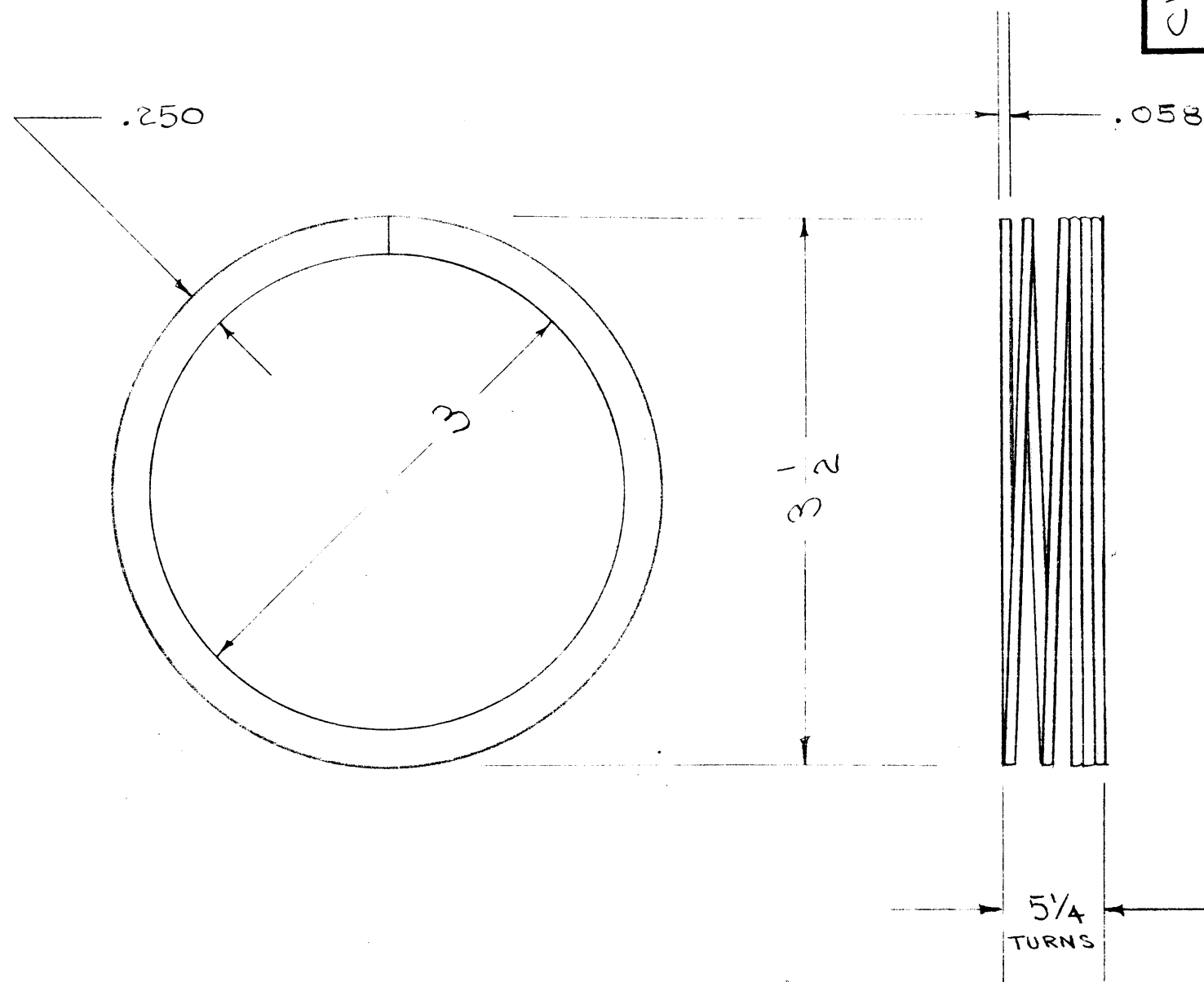


IF IT IS FOUND DESIRABLE TO CHANGE ANY TOLERANCE OR OTHER DETAIL SPECIFIED ON THIS DRAWING NOTIFY THE PURCHASER PROMPTLY.

MAXIMUM ALLOWABLE TOLERANCES HAVE BEEN DETERMINED AND DEVIATIONS WILL BE CAUSE FOR REJECTION. REMOVE ALL BURRS AND SHARP EDGES

CL-115
A



NOTE
CL-115-1 HAS BEEN ADDED TO CL-114-1.
(REF CL-114-1)

~~CL-115-1 5 1/4 TURNS CLOCKWISE DELETE~~
CL-115-2 5 1/4 TURNS COUNTER CLOCKWISE

NOTICE TO PERSONS RECEIVING THIS DRAWING

THE TECHNICAL MATERIEL CORPORATION claims proprietary right in the material disclosed hereon. This drawing is issued in confidence for engineering information only and may not be reproduced or used to manufacture anything shown hereon without permission from THE TECHNICAL MATERIEL CORPORATION to the user. This drawing is loaned for mutual assistance and is subject to recall at any time.

Property of:
THE TECHNICAL MATERIEL CORPORATION
MAMARONECK, NEW YORK

REQ. PER UNIT
~~CL-115-1 1 REQ. DELETE~~
CL-115-2 1 REQ.

REQ.	ITEM	PART NO.	DESCRIPTION	SYMBOL
		.058 X .250	THE TECHNICAL MATERIEL CORP. MAMARONECK. NEW YORK	
		STOCK SIZE		
		COPPER #	LINK COIL	
		MATERIAL WEIGHT PER PC.	TAC-1	
		SOFT DRAWN		
		TYPE & TEMPER		
		HEAT TREAT. SPEC.		
		FINISH & SPEC. NO.		

A	1	CL-115-1 DELETED AND COMBINED W/ CL-114-1	4/9/57	1	JAG	WOC	ATT
ISSUE	ITEM	CHANGED FROM	DATE	CN. NO.	DRAFTS	CHECKER	ENG. APP.
TOLERANCES		SCALE: #					
ALL OTHERS	DEC. DIM. ± .005 FRAC. DIM. ± 1/64 ANGULAR DIM. ±	DRILL, PUNCH, COMMERCIAL STOCK SIZES AND MANUFACTURERS TOLERANCES ARE NOT INCLUDED.					

TAC-1	132	A-678	1-7-54
MODEL	PROJECT NO.	ASSY. NO.	DATE
USED ON			