

CL-109

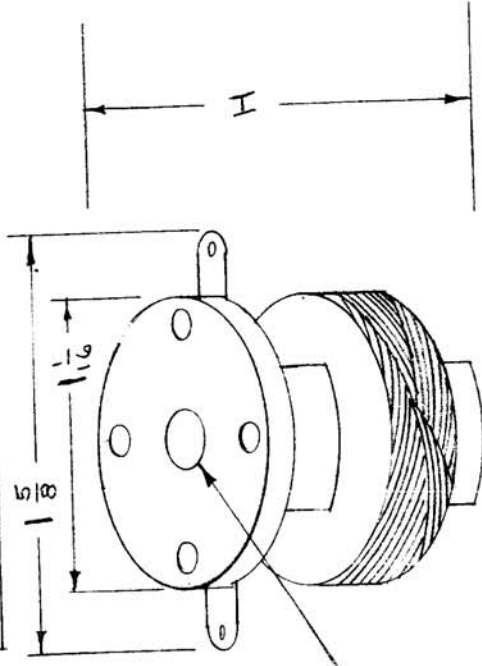
STANDARD DRAWING

IF IT IS FOUND DESIRABLE TO CHANGE ANY TOLERANCE OR OTHER DETAIL SPECIFIED ON THIS DRAWING NOTIFY THE PURCHASER PROMPTLY.

MAXIMUM ALLOWABLE TOLERANCES HAVE BEEN DETERMINED AND DEVIATIONS WILL BE CAUSE FOR REJECTION. REMOVE ALL BURRS AND SHARP EDGES

USED ON
 MODEL PROJECT NO. ASS'Y. NO. DATE

TMC NO.	CAT. NO.	IND. H.H.	D.C. RES. Ω	CURRENT MA	H
CL-109-1	CH-1212	2.5	28	125	11/16
CL-109-2	CH-1213	3.4	36	125	11/16
CL-109-3	CH-1214	5.5	46	125	11/16
CL-109-4	CH-1215	8.	60	125	11/16
CL-109-5	CH-1216	10.	65	125	11/16
CL-109-6	CH-1217	16.	84	125	11/16
CL-109-7	CH-1218	30.	190	100	15/16
CL-109-8	CH-1219	60.	279	90	15/16
CL-109-9	CH-1220	80.	332	80	15/16



DIMENSIONS FOR REF. ONLY.
 REF: BUD RADIO INC.

REQ. ITEM	PART NO.	DESCRIPTION	SYMBOL
#		THE TECHNICAL MATERIEL CORP. MAMARONECK. NEW YORK	
STOCK SIZE		CHOKE, RF	
MATERIAL		LATTICE WOUND	
WEIGHT PER PC.			
TYPE & TEMPER			
HEAT TREAT. SPEC.			
FINISH & SPEC. NO.			

C.D.D. 1/13/53
 DRAWN
 ELEC. DES. APP. *[Signature]*
 MECH. DES. APP. *[Signature]*
 CHECKED
 FINAL APPROVAL
 CL-109

ISSUE ITEM	CHANGED FROM	DATE	CN. NO.	DRAFTS CHECKER	ENG. APP.
TOLERANCES					
SCALE #					
DRILL, PUNCH, COMMERCIAL STOCK SIZES AND MANUFACTURERS TOLERANCES ARE NOT INCLUDED.					
ALL OTHERS	DEC. DIM. ±				
	FRAC. DIM. ±				
	ANGULAR DIM. ±				