

IF IT IS FOUND DESIRABLE TO CHANGE ANY TOLERANCE OR OTHER DETAIL SPECIFIED ON THIS DRAWING NOTIFY THE PURCHASER PROMPTLY.

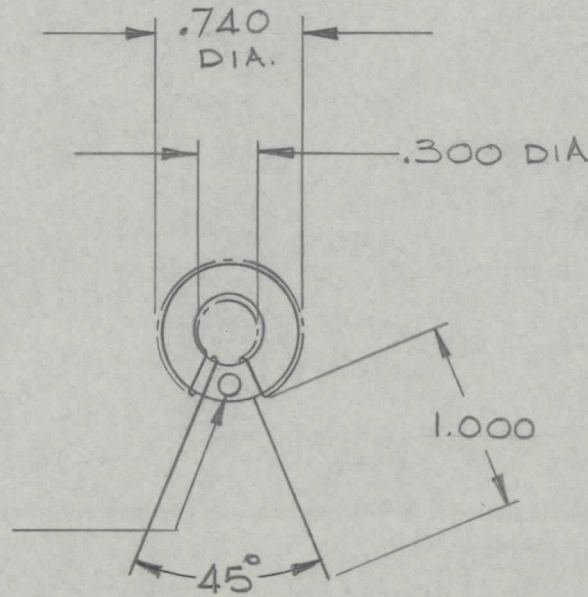
MAXIMUM ALLOWABLE TOLERANCES HAVE BEEN DETERMINED AND DEVIATIONS WILL BE CAUSE FOR REJECTION. REMOVE ALL BURRS AND SHARP EDGES.

DIMENSIONS IN INCHES UNLESS OTHERWISE SPECIFIED

REQ.	ITEM	PART NO.	DESCRIPTION	SYMBOL
------	------	----------	-------------	--------

ISSUE	ITEM	CHANGED FROM	DATE	CN. NO.	DRAFTS	CHECKER	ENG. APP.
φ		PROD RELEASE	25 AUG 70				NH

CL10042-4  
-RCA  
φ



IDENTIFICATION DOT  
COLOUR YELLOW

INDUCTANCE - 9.52  $\mu$ H  $\pm$ 1%  
TYP SELF CAP - 1pF

STOCK SIZE		TMC (Canada) LIMITED OTTAWA ONTARIO		
MATERIAL		COIL R.F.		
WEIGHT PER PC.				
TYPE & TEMPER		SIMPSON	NH	
HEAT TREAT. SPEC.		DRAWN	ELEC. DES. APP.	MECH. DES. APP.
FINISH & SPEC. NO.		CHECKED	FINAL APPROVAL	
		CL 10042-4-RCA φ		

TOLERANCES UNLESS OTHERWISE SPECIFIED		SCALE: 1:1
ALL OTHERS	DEC. DIM. $\pm$ .015 FRAC. DIM. $\pm$ 1/64 ANGULAR DIM. $\pm$ .0005°	DRILL, PUNCH, COMMERCIAL STOCK SIZES AND MANUFACTURERS TOLERANCES ARE NOT INCLUDED.
	<del>X</del> = .05 <del>XX</del> = .01 <del>XXX</del> = .005	

AME 8	074/70	25 AUG 70
MODEL	PROJECT NO.	DATE
USED ON		