

IF IT IS FOUND DESIRABLE TO CHANGE ANY TOLERANCE OR OTHER DETAIL SPECIFIED ON THIS DRAWING NOTIFY THE PURCHASER PROMPTLY.

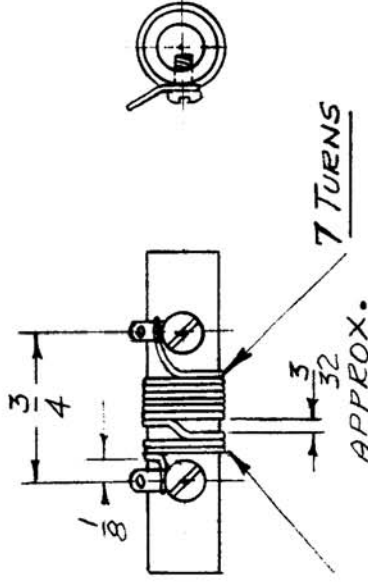
MAXIMUM ALLOWABLE TOLERANCES HAVE BEEN DETERMINED AND DEVIATIONS WILL BE CAUSE FOR REJECTION. REMOVE ALL BURRS AND SHARP EDGES

NOTICE TO PERSONS RECEIVING THIS DRAWING

THE TECHNICAL MATERIEL CORPORATION claims proprietary right in the material disclosed hereon. This drawing is issued in confidence for engineering information only and may not be reproduced or used to manufacture anything shown herein without permission from THE TECHNICAL MATERIEL CORPORATION to the user. This drawing is loaned for mutual assistance and is subject to recall at any time.

Property of:

THE TECHNICAL MATERIEL CORPORATION
MAMARONECK, NEW YORK



CL-10002-A

USED ON

DATE

ASS'Y. NO.

PROJECT NO.

MODEL

AMC 6-2
AMC 6-3

A-10072 FEB 29/56

A REDRAWN

CHANGED FROM

L. Marion

DATE 29/2/56
DRAFTS CHECKER ENG. APP. *L. Marion*

TOLERANCES

DEC. DIM. ±
FRAC. DIM. ± 1/2 4
ANGULAR DIM. ± -

SCALE FULL SIZE

DRILL, PUNCH, COMMERCIAL STOCK SIZES AND MANUFACTURERS TOLERANCES ARE NOT INCLUDED.

REQ. ITEM	PART NO.	DESCRIPTION	SYMBOL
		TMC(Canada)LIMITED OTTAWA	
		COIL	
		AMC 6 - SERIES 2 & 3	
		L. MARION	
		DRAWN	ELEC. DES. APP. <i>L. Marion</i>
		CHECKED	MECH. DES. APP.
			FINAL APPROVAL
			CL-10002 A