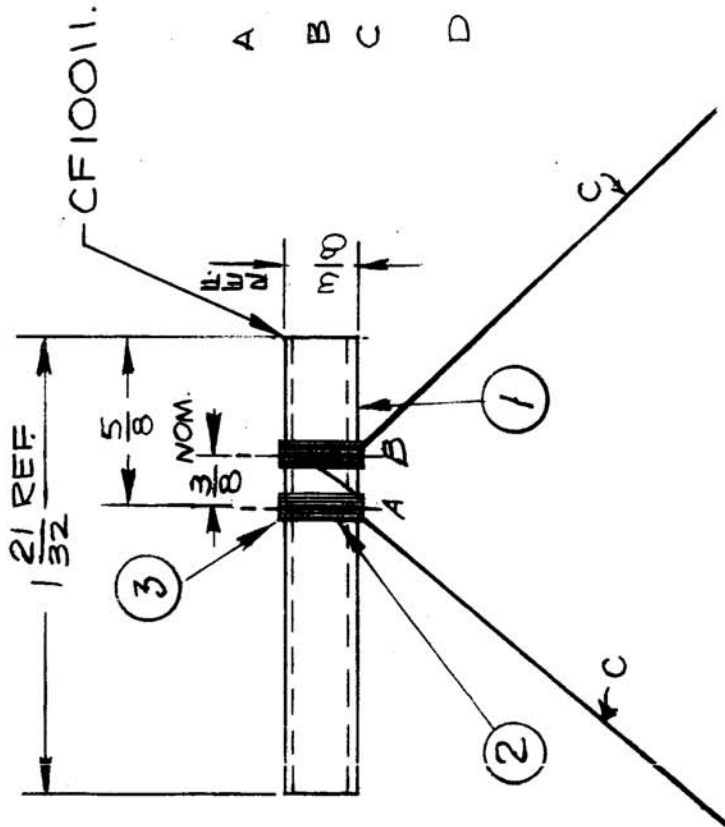


IF IT IS FOUND DESIRABLE TO CHANGE ANY TOLERANCE OR OTHER DETAIL SPECIFIED ON THIS DRAWING NOTIFY THE PURCHASER PROMPTLY.

MAXIMUM ALLOWABLE TOLERANCES HAVE BEEN DETERMINED AND DEVIATIONS WILL BE CAUSE FOR REJECTION. REMOVE ALL BURRS AND SHARP EDGES



2.45 μA PYE WOUND FILTER COIL.

WINDING DATA:-

A 6 TURNS CLOSE SPACED - RETRACE & WIND 3 TURNS ON TOP.

B - CONTINUE FROM A & WIND SIMILAR PYE.

C LEAVE 2 1/2" FOR CONNECTIONS - CHECK L ON Q METER.

D ADJUST DISTANCE OF B FROM A TO OBTAIN CORRECT VALUE OF L.

CL-10001B

USED ON

PROJECT NO.

ASS'Y. NO.

DATE

AMC 6-2  
AMC 6-3

9-8-55

REQ. ITEM	PART NO.	DESCRIPTION	SYMBOL
X 3	GL-10001	RADIO SERVICE CEMENT	
X 2	W1-10001-11	WIRE #30 D.C.C	
1	CF-10011	COIL FORM	

STOCK SIZE		TMC (Canada) LIMITED OTTAWA ONTARIO	
MATERIAL	WEIGHT PER PC.	COILS RF	
TYPE & TEMPER		FX10002	
HEAT TREAT. SPEC.		K/NF	
FINISH & SPEC. NO.		DRAWN T.H.	
		ELEC. DES. APP. MECH. DES. APP.	
		CHECKED P.A.A.	
		FINAL APPROVAL	
		(A-10049) CL-10001B	

ISSUE ITEM	CHANGED FROM	DATE	CN. NO.	DRAFTS CHECKER	ENG. APP.
A	1	NOTE D ADDED	1960	JC	AM.S.
	2	CF10011 WAS CF10009	16/29	JPC	M.L.B.
		CORRECTED	10/21/55		

TOLERANCES		SCALE	
DEC. DIM. ±			
FRAC. DIM. ±			
ANGULAR DIM. ±			

DRILL, PUNCH, COMMERCIAL STOCK SIZES AND MANUFACTURERS TOLERANCES ARE NOT INCLUDED.